

LIST OF PLUMBING DRAWINGS

S.NO.	DRAWING NO.	DRAWING TITLE	SHEET	REV.
01	NGNE-BRK-TED-PLB-10001	LIST OF PLUMBING DRAWINGS	1 OF 1	R0
02	NGNE-BRK-TED-PLB-10002	TYPICAL DETAIL & SECTION -PLUMBING LAYOUT	1 OF 1	R0
03	NGNE-BRK-TED-PLB-10003	TOILET DETAIL-PLUMBING LAYOUT	1 OF 1	R0
04	NGNE-BRK-TED-PLB-10004	SCHEMATIC DIAGRAM FOR DRAINAGE SYSTEM	1 OF 1	R0
05	NGNE-BRK-TED-PLB-10005	SCHEMATIC DIAGRAM FOR SEWAGE SYSTEM	1 OF 1	R0
06	NGNE-BRK-TED-PLB-10006	SCHEMATIC DIAGRAM FOR WATER SUPPLY SYSTEM	1 OF 1	R0
07	NGNE-BRK-TED-PLB-11001	GROUND FLOOR PLAN - DRAINAGE & WATER SUPPLY LAYOUT	1 OF 1	R0
08	NGNE-BRK-TED-PLB-12001	PUMP ROOM - PLUMBING LAYOUT	1 OF 1	R0
09	NGNE-BRK-TED-PLB-13001	CONCOURSE LEVEL PLAN -DRAINAGE LAYOUT	1 OF 1	R0
10	NGNE-BRK-TED-PLB-13002	CONCOURSE LEVEL PLAN -WATER SUPPLY LAYOUT	1 OF 1	R0
11	NGNE-BRK-TED-PLB-14001	PLATFORM LEVEL PLAN-DRAINAGE LAYOUT	1 OF 1	R0
12	NGNE-BRK-TED-PLB-14002	PLATFORM LEVEL PLAN-WATER SUPPLY LAYOUT	1 OF 1	R0
13	NGNE-BRK-TED-PLB-15001	ROOF LEVEL PLAN-DRAINAGE LAYOUT	1 OF 1	R0

TENDER DESIGN



NOIDA METRO RAIL CORPORATION LTD.
Block-III, 3rd Floor, Ganga Shopping Complex, Sector-29, Noida -201301,
District Gautam Budh Nagar, Uttar Pradesh, India

PROJECT: CONTRACT NO: NGNECC-01- Part Design & Construction of Elevated Viaduct and 10 nos. of Elevated Stations for Extension Projects of NMRC's Aqua Line from Botanical Garden to Noida Sec-142 (from Chainage (-) 383.959 to 12130.143) and from Depot Station to Boraki MMTH (Chainage 28678.253 to 31263.482)

STATION: BORAKI STATION

DRAWING TITLE: LIST OF PLUMBING DRAWINGS

NORTH	DRAWN BY: HL	CHECKED BY: RK	VERIFIED BY: SJ	APPROVED BY: NG
	DATE: 11-02-2026	REV: R0	SCALE: 1:200	STATUS: TED
ORDER N°	DRAWING NUMBER: NGNE-BRK-TED-PLB-10001	SHEET NO. 01 OF 01	SHEET SIZE A-1	

This drawing must not be either loaned, copied or otherwise reproduced in whole or in part or used for any purpose without the prior written permission of NMRC.

GENERAL NOTES:
1. ALL DIMENSIONS ARE IN MILLIMETER UNLESS MENTIONED.
2. ALL DIMENSIONS ARE TO BE READ AND NOT MEASURED.
3. ANY DISCREPANCY MUST BE BROUGHT TO THE NOTICE OF THE DMRC BEFORE EXECUTION OF WORK AT SITE.
4. THIS DRAWING MUST BE READ IN CONJUNCTION WITH ALL RELEVANT ARCHITECTURAL, STRUCTURAL, PLUMBING & FIRE FIGHTING, ELECTRICAL AND TRAFFIC MANAGEMENT DRAWINGS.

REVISIONS

REV.	DESCRIPTION	DATE	DRAWN BY	CHECKED BY
R0	ISSUED FIRST SUBMISSION OF TENDER DRAWINGS	27-03-2026	HL	RK

APPROVAL OF NMRC OFFICIALS

--	--	--	--	--	--	--	--	--	--

Certified that this document has been designed and checked in accordance with DDC Quality Assurance Plan.

Authorised Signatory for DDC.
NGNEDDC Project Manager

Architecture Design In-charge/ Coordinator
Structure Design In-charge/ Coordinator
E&M Design In-charge/ Coordinator

DETAIL DESIGN CONSULTANT :



Ayesa India Private Limited
D 99, 3rd Floor, Sector 2, Noida -201301, Gautam
Budh Nagar, Uttar Pradesh
Tel.: +(91) 120 490 8800, Email: delhi@ayesa.com

NOIDA METRO RAIL CORPORATION LTD.

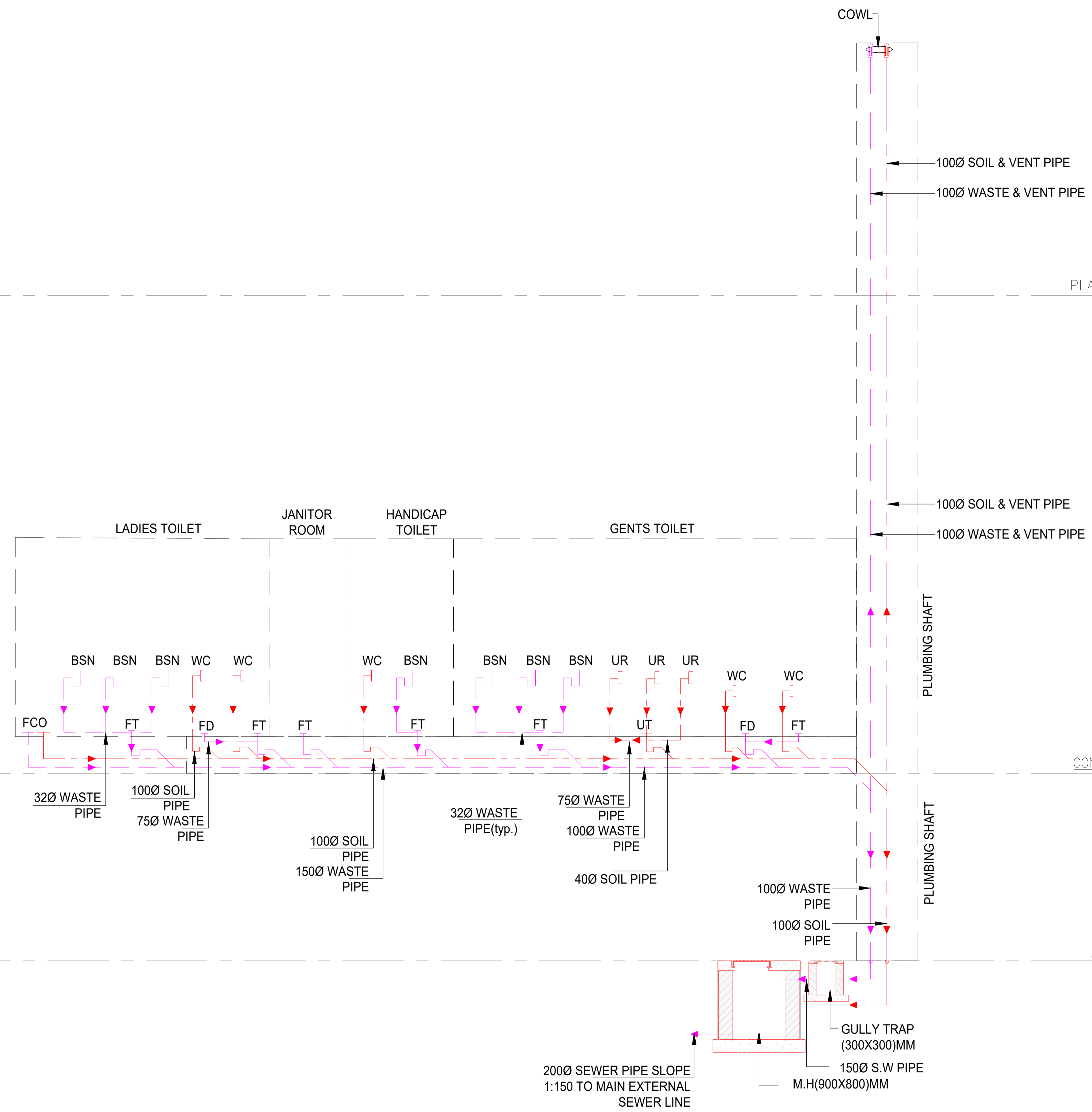
€ OF STATION

ROOF LEVEL

PLATFORM LEVEL

CONCOURSE LEVEL

GROUND LEVEL



LEGEND:-

FT - FLOOR TRAP	
FD - FLOOR DRAIN	
FCO - FLOOR CLEAN OUT	
WC - WATER CLOSED	
BSN - WASH BASIN	
UR - URINAL	
WASTE PIPE	
SOIL PIPE	

SCHEMATIC DIAGRAM FOR SEWAGE SYSTEM

TENDER DESIGN

NOIDA METRO RAIL CORPORATION LTD.
 Block-III, 3rd Floor, Ganga Shopping Complex, Sector-29, Noida -201301, District Gautam Budh Nagar, Uttar Pradesh, India

PROJECT: CONTRACT NO: NGNECC-01- Part Design & Construction of Elevated Viaduct and 10 nos. of Elevated Stations for Extension Projects of NMRC's Aqua Line from Botanical Garden to Noida Sec-142 (from Chainage (-) 383.959 to 12130.143) and from Depot Station to Boraki MMTH (Chainage 28678.253 to 31263.482)

STATION: BORAKI STATION

DRAWING TITLE: SCHEMATIC DIAGRAM FOR SEWAGE SYSTEM

NORTH	DRAWN BY: HL	CHECKED BY: RK	VERIFIED BY: SJ	APPROVED BY: NG
	DATE: 11-02-2026	REV: RO	SCALE: 1:200	STATUS: TED
ORDER N°	DRAWING NUMBER: NGNE-BRK-TED-PLB-10005	SHEET NO. 01 OF 01	SHEET SIZE A-1	

This drawing must not be either loaned, copied or otherwise reproduced in whole or in part or used for any purpose without the prior written permission of NMRC.

Certified that this document has been designed and checked in accordance with DDC Quality Assurance Plan.

Authorised Signatory for DDC, NGNEDDC Project Manager

Architecture Design In-charge/ Coordinator	Structure Design In-charge/ Coordinator	E&M Design In-charge/ Coordinator
--	---	-----------------------------------

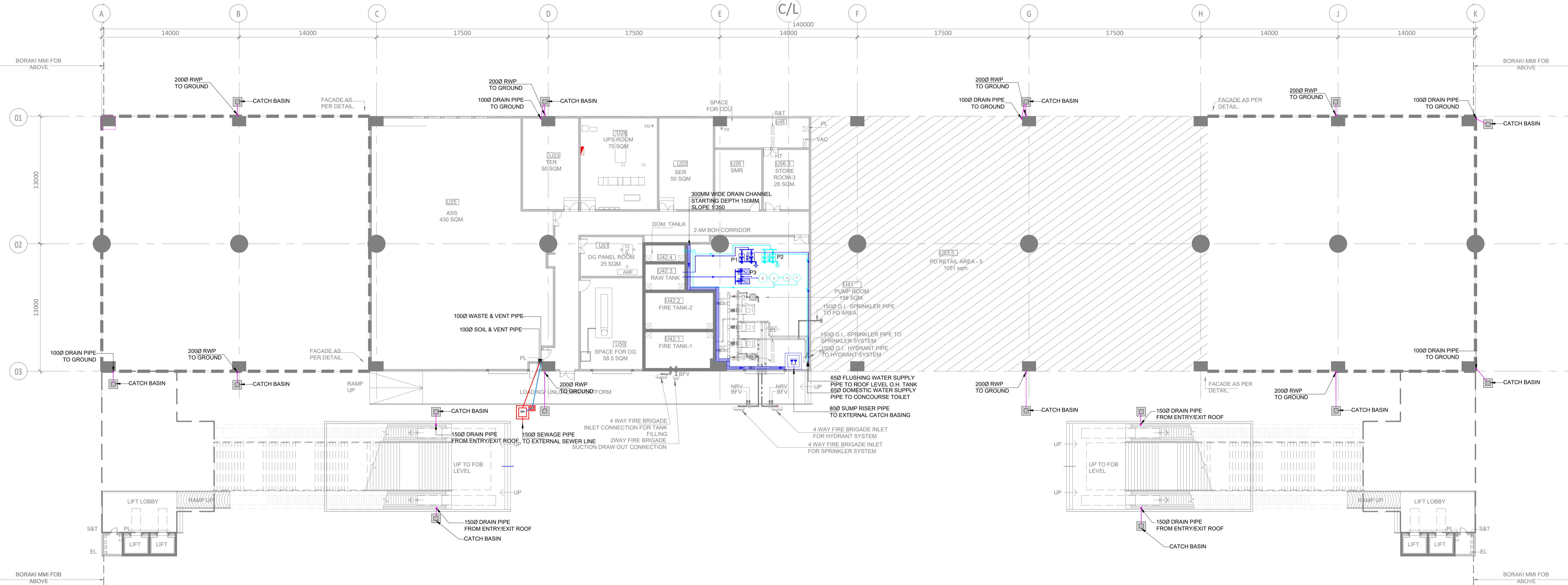
DETAIL DESIGN CONSULTANT :

ayesa

Ayesa India Private Limited
 D 99, 3rd Floor, Sector 2, Noida -201301, Gautam Budh Nagar, Uttar Pradesh
 Tel.: +(91) 120 490 8800, Email: delhi@ayesa.com

GENERAL NOTES				REVISIONS				APPROVAL OF NMRC OFFICIALS																													
1. ALL DIMENSIONS ARE IN MILLIMETER UNLESS MENTIONED. 2. ALL DIMENSIONS ARE TO BE READ AND NOT MEASURED. 3. ANY DISCREPANCY MUST BE BROUGHT TO THE NOTICE OF THE DMRC BEFORE EXECUTION OF WORK AT SITE. 4. THIS DRAWING MUST BE READ IN CONJUNCTION WITH ALL RELEVANT ARCHITECTURAL, STRUCTURAL, PLUMBING & FIRE FIGHTING, ELECTRICAL AND TRAFFIC MANAGEMENT DRAWINGS.				<table border="1"> <thead> <tr> <th>REV.</th> <th>DESCRIPTION</th> <th>DATE</th> <th>DRAWN BY</th> <th>CHECKED BY</th> </tr> </thead> <tbody> <tr> <td>R0</td> <td>ISSUED FIRST SUBMISSION OF TENDER DRAWINGS</td> <td>11-03-2026</td> <td>HARI LAL</td> <td>R.P.</td> </tr> </tbody> </table>				REV.	DESCRIPTION	DATE	DRAWN BY	CHECKED BY	R0	ISSUED FIRST SUBMISSION OF TENDER DRAWINGS	11-03-2026	HARI LAL	R.P.	<table border="1"> <thead> <tr> <th>NO.</th> <th>NAME</th> <th>DESIGNATION</th> <th>DATE</th> </tr> </thead> <tbody> <tr> <td> </td> <td> </td> <td> </td> <td> </td> </tr> <tr> <td> </td> <td> </td> <td> </td> <td> </td> </tr> <tr> <td> </td> <td> </td> <td> </td> <td> </td> </tr> </tbody> </table>				NO.	NAME	DESIGNATION	DATE												
REV.	DESCRIPTION	DATE	DRAWN BY	CHECKED BY																																	
R0	ISSUED FIRST SUBMISSION OF TENDER DRAWINGS	11-03-2026	HARI LAL	R.P.																																	
NO.	NAME	DESIGNATION	DATE																																		
<table border="1"> <thead> <tr> <th>REVISION</th> <th>DESCRIPTION</th> <th>DRAWING NO.</th> </tr> </thead> <tbody> <tr> <td> </td> <td> </td> <td> </td> </tr> <tr> <td> </td> <td> </td> <td> </td> </tr> <tr> <td> </td> <td> </td> <td> </td> </tr> </tbody> </table>				REVISION	DESCRIPTION	DRAWING NO.										<table border="1"> <thead> <tr> <th>NO.</th> <th>NAME</th> <th>DESIGNATION</th> <th>DATE</th> </tr> </thead> <tbody> <tr> <td> </td> <td> </td> <td> </td> <td> </td> </tr> <tr> <td> </td> <td> </td> <td> </td> <td> </td> </tr> <tr> <td> </td> <td> </td> <td> </td> <td> </td> </tr> </tbody> </table>				NO.	NAME	DESIGNATION	DATE														
REVISION	DESCRIPTION	DRAWING NO.																																			
NO.	NAME	DESIGNATION	DATE																																		

Boraki
CH : 30854.069m



LEGENDS	
SYMBOL	DESCRIPTION
	CATCH BASIN
	GULLY TRAP
	SEWAGE MANHOLE
	DRAINAGE PIPE
	SEWER PIPE

TENDER DESIGN

NOIDA METRO RAIL CORPORATION LTD.
Block-III, 3rd Floor, Ganga Shopping Complex, Sector-29, Noida -201301, District Gautam Budh Nagar, Uttar Pradesh, India

PROJECT: CONTRACT NO: NGNECC-01- Part Design & Construction of Elevated Viaduct and 10 nos. of Elevated Stations for Extension Projects of NMR's Aqua Line from Botanical Garden to Noida Sec-142 (from Chainage (-) 383.959 to 12130.143) and from Depot Station to Boraki MMTH (Chainage 28678.253 to 31263.482)

STATION: BORAKI STATION

DRAWING TITLE: GROUND FLOOR PLAN -DRAINAGE & WATER SUPPLY LAYOUT

NORTH	DRAWN BY: HL	CHECKED BY: RK	VERIFIED BY: SJ	APPROVED BY: NG
	DATE: 27-03-2026	REV: RO	SCALE: 1:200	STATUS: TED
ORDER N°	DRAWING NUMBER: NGNE-BRK-TED-PLB-11001	SHEET NO. 01 OF 01	SHEET SIZE A-1	

This drawing must not be either loaned, copied or otherwise reproduced in whole or in part or used for any purpose without the prior written permission of NMR.

GENERAL NOTES:

- ALL DIMENSIONS ARE IN MILLIMETER UNLESS MENTIONED.
- ALL DIMENSIONS ARE TO BE READ AND NOT MEASURED.
- ANY DISCREPANCY MUST BE BROUGHT TO THE NOTICE OF THE DMRC BEFORE EXECUTION OF WORK AT SITE.
- THIS DRAWING MUST BE READ IN CONJUNCTION WITH ALL RELEVANT ARCHITECTURAL, STRUCTURAL, PLUMBING & FIRE FIGHTING, ELECTRICAL AND TRAFFIC MANAGEMENT DRAWINGS.

REVISION	DESCRIPTION	DRAWING NO.

REVISIONS				
REV.	DESCRIPTION	DATE	DRAWN BY	CHECKED BY
R0	ISSUED FIRST SUBMISSION OF TENDER DRAWINGS	27-03-2026	HL	RK

APPROVAL OF NMRC OFFICIALS				

Certified that this document has been designed and checked in accordance with DDC Quality Assurance Plan.

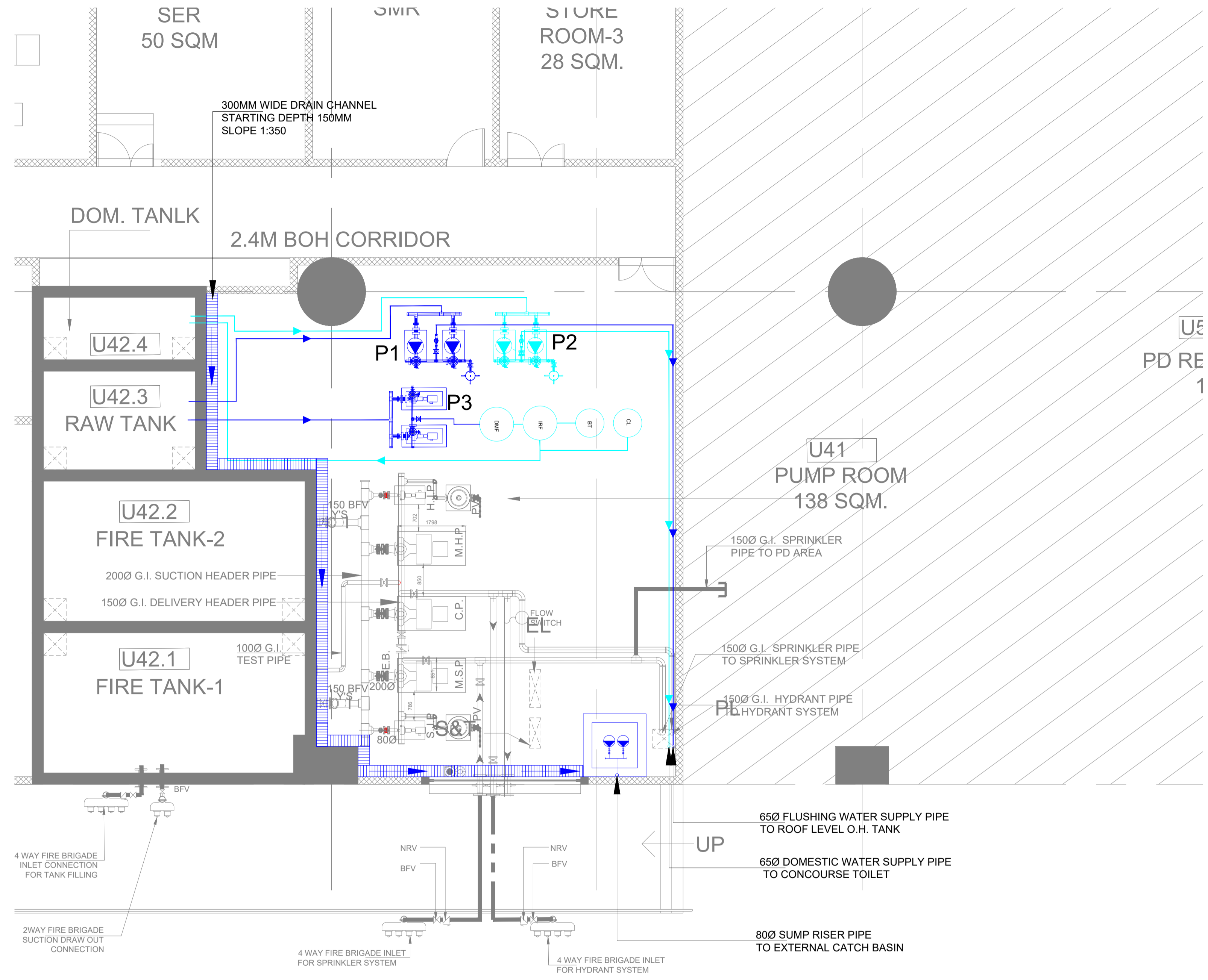
Authorised Signatory for DDC: NGNEDDC Project Manager

Architecture Design In-charge/ Coordinator	Structure Design In-charge/ Coordinator	E&M Design In-charge/ Coordinator
---	--	--------------------------------------

DETAIL DESIGN CONSULTANT :

ayesa

Ayesa India Private Limited
D 99, 3rd Floor, Sector 2, Noida -201301, Gautam Budh Nagar, Uttar Pradesh
Tel.: +(91) 120 490 8800, Email: delhi@ayesa.com



LEGEND:-

S.NO.	SYMBOL	DESCRIPTION
1	[Symbol]	G.I. FIRE HYDRANT PIPE
2	[Symbol]	4WAY FIRE BRIGADE INLET CONNECTION
3	[Symbol]	NON-RETURN VALVE
4	[Symbol]	NON-RETURN VALVE
5	[Symbol]	DATE VALVE
6	[Symbol]	Y-STRAINER
7	[Symbol]	EXPANSION BELLOW
8	[Symbol]	PRESSURE GAUGE
9	[Symbol]	PRESSURE SWITCH
10	[Symbol]	PRESSURE VESSEL
11	[Symbol]	4.5 KG CARBON DIOXIDE FIRE EXTINGUISHER
12	[Symbol]	8KG ABC DRY POWDER TYPE FIRE EXTINGUISHERS

EQUIPMENT FOR FIRE FIGHTING

SYMBOL	DESCRIPTION
C.P.	MAIN FIRE STAND BY COMMON PUMP (ELECTRIC)
M.H.P.	MAIN FIRE HYDRANT PUMP (ELECTRIC)
H.J.P.	HYDRANT JOCKEY PUMP (ELECTRIC)
M.S.P.	MAIN FIRE SPRINKLER PUMP (ELECTRIC)
S.J.P.	SPRINKLER JOCKEY PUMP (ELECTRIC)

LEGEND:-

S.NO.	SYMBOL	DESCRIPTION
1	[Symbol]	BUTTERFLY VALVE
2	[Symbol]	NON RETURN VALE
3	[Symbol]	FLUSHING WATER SUPPLY LINE
4	[Symbol]	DOMESTIC WATER SUPPLY LINE
5	[Symbol]	DUAL MEDIA FILTER
6	[Symbol]	IRON REMOVABLE FILTER
7	[Symbol]	BRINE TANK
8	[Symbol]	CHLORINATOR

ITEM	SIZE OF FOUNDATION OF PUMPS	
	PUMPS	DRIVE
P1	RAW WATER TRANSFER PUMP	ELECTRIC
P2	DOMESTIC WATER TRANSFER PUMP	ELECTRIC
P3	RAW WATER FILTRATION PUMP	ELECTRIC

GENERAL NOTES

- ALL DIMENSIONS ARE IN MILLIMETER UNLESS MENTIONED.
- ALL DIMENSIONS ARE TO BE READ AND NOT MEASURED.
- ANY DISCREPANCY MUST BE BROUGHT TO THE NOTICE OF THE DMRC BEFORE EXECUTION OF WORK AT SITE.
- THIS DRAWING MUST BE READ IN CONJUNCTION WITH ALL RELEVANT ARCHITECTURAL, STRUCTURAL, PLUMBING & FIRE FIGHTING, ELECTRICAL AND TRAFFIC MANAGEMENT DRAWINGS.

REVISION	DESCRIPTION	DRAWING NO.

REV.	DESCRIPTION	DATE	DRAWN BY	CHECKED BY
R0	ISSUED FIRST SUBMISSION OF TENDER DRAWINGS	27-03-2026	HL	RK

APPROVAL OF NMRC OFFICIALS

--	--	--	--	--	--	--	--	--	--

Certified that this document has been designed and checked in accordance with DDC Quality Assurance Plan.

Authorised Signatory for DDC.
NGNEDDC Project Manager

Architecture Design In-charge/ Coordinator	Structure Design In-charge/ Coordinator	E&M Design In-charge/ Coordinator
---	--	--------------------------------------

DETAIL DESIGN CONSULTANT :

ayesa

Ayesa India Private Limited
D 99, 3rd Floor, Sector 2, Noida -201301, Gautam
Budh Nagar, Uttar Pradesh
Tel.: +(91) 120 490 8800, Email: delhi@ayesa.com

TENDER DESIGN

NOIDA METRO RAIL CORPORATION LTD.
Block-III, 3rd Floor, Ganga Shopping Complex, Sector-29, Noida -201301,
District Gautam Budh Nagar, Uttar Pradesh, India

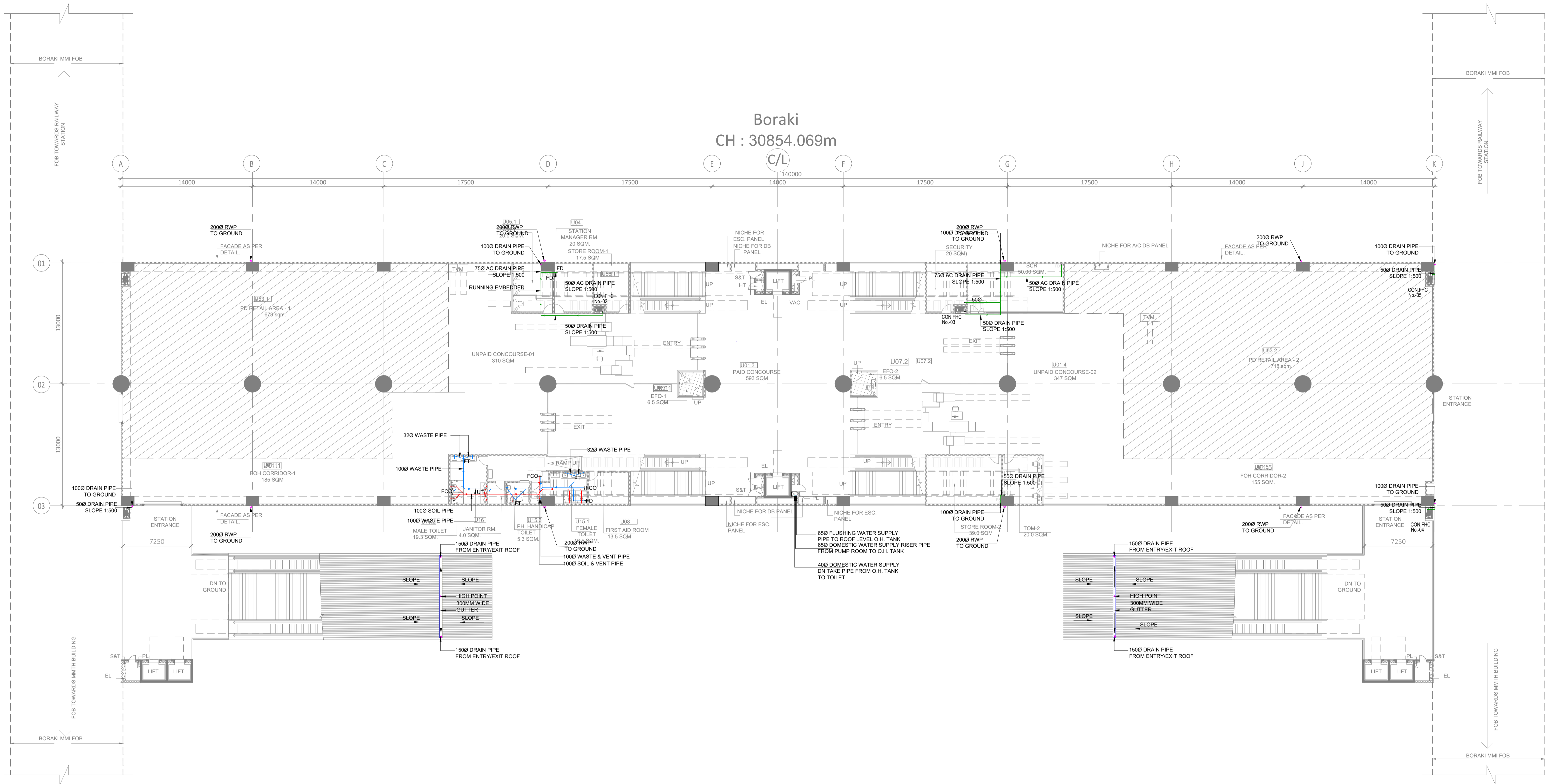
PROJECT: CONTRACT NO: NGNECC-01- Part Design & Construction of Elevated Viaduct and 10 nos. of Elevated Stations for Extension Projects of NMRC's Aqua Line from Botanical Garden to Noida Sec-142 (from Chainage (-) 383.959 to 12130.143) and from Depot Station to Boraki MMTH (Chainage 28678.253 to 31263.482)

STATION: BORAKI STATION

DRAWING TITLE: PUMP ROOM -PLUMBING LAYOUT

NORTH	DRAWN BY: HL	CHECKED BY: RK	VERIFIED BY: SJ	APPROVED BY: NG
	DATE: 27-03-2026	REV: RO	SCALE: 1:200	STATUS: TED
ORDER N°	DRAWING NUMBER: NGNE-BRK-TED-PLB-12001	SHEET NO. 01 OF 01	SHEET SIZE A-1	

This drawing must not be either loaned, copied or otherwise reproduced in whole or in part or used for any purpose without the prior written permission of NMRC.



Boraki
CH : 30854.069m

TENDER DESIGN

NOIDA METRO RAIL CORPORATION LTD.
Block-III, 3rd Floor, Ganga Shopping Complex, Sector-29, Noida -201301,
District Gautam Budh Nagar, Uttar Pradesh, India

PROJECT: CONTRACT NO: NGNECC-01- Part Design & Construction of Elevated Viaduct and 10 nos. of Elevated Stations for Extension Projects of NMR's Aqua Line from Botanical Garden to Noida Sec-142 (from Chainage (-) 383.959 to 12130.143) and from Depot Station to Boraki MMTH (Chainage 28678.253 to 31263.482)

STATION: BORAKI STATION
DRAWING TITLE: CONCOURSE LEVEL PLAN-DRAINAGE LAYOUT

NORTH	DRAWN BY: HL	CHECKED BY: RK	VERIFIED BY: SJ	APPROVED BY: NG
	DATE: 27-03-2026	REV: RO	SCALE: 1:200	STATUS: TED
ORDER NO:	DRAWING NUMBER: NGNE-BRK-TED-PLB-13001	SHEET NO: 01 OF 01	SHEET SIZE: A-1	NGNEDDC PLUMBING

GENERAL NOTES:

- ALL DIMENSIONS ARE IN MILLIMETER UNLESS MENTIONED.
- ALL DIMENSIONS ARE TO BE READ AND NOT MEASURED.
- ANY DISCREPANCY MUST BE BROUGHT TO THE NOTICE OF THE DMRC BEFORE EXECUTION OF WORK AT SITE.
- THIS DRAWING MUST BE READ IN CONJUNCTION WITH ALL RELEVANT ARCHITECTURAL, STRUCTURAL, PLUMBING & FIRE FIGHTING, ELECTRICAL AND TRAFFIC MANAGEMENT DRAWINGS.

REVISION	DESCRIPTION	DRAWING NO.

REVISIONS				
REV.	DESCRIPTION	DATE	DRAWN BY	CHECKED BY
R0	ISSUED FIRST SUBMISSION OF TENDER DRAWINGS	27-03-2026	HL	RK

APPROVAL OF NMRC OFFICIALS				

Certified that this document has been designed and checked in accordance with DDC Quality Assurance Plan.

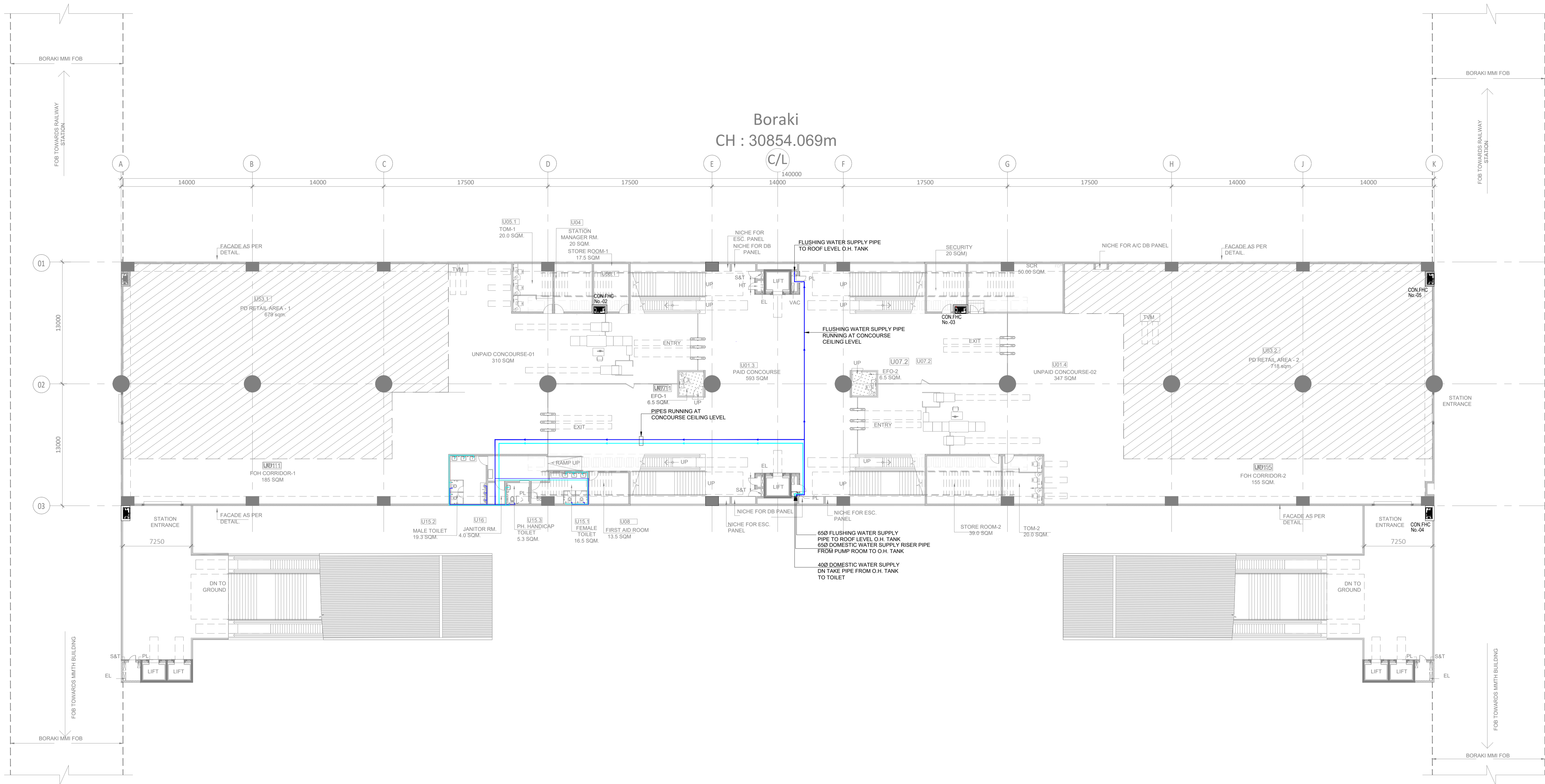
Authorised Signatory for DDC.
NGNEDDC Project Manager

Architecture Design In-charge/ Coordinator	Structure Design In-charge/ Coordinator	E&M Design In-charge/ Coordinator
---	--	--------------------------------------

DETAIL DESIGN CONSULTANT :

ayesa
Ayesa India Private Limited
D 99, 3rd Floor, Sector 2, Noida -201301, Gautam
Budh Nagar, Uttar Pradesh
Tel.: +(91) 120 490 8800, Email: delhi@ayesa.com

This drawing must not be either loaned, copied or otherwise reproduced in whole or in part or used for any purpose without the prior written permission of NMR.



Boraki
CH : 30854.069m

GENERAL NOTES:

- ALL DIMENSIONS ARE IN MILLIMETER UNLESS MENTIONED.
- ALL DIMENSIONS ARE TO BE READ AND NOT MEASURED.
- ANY DISCREPANCY MUST BE BROUGHT TO THE NOTICE OF THE DMRC BEFORE EXECUTION OF WORK AT SITE.
- THIS DRAWING MUST BE READ IN CONJUNCTION WITH ALL RELEVANT ARCHITECTURAL, STRUCTURAL, PLUMBING & FIRE FIGHTING, ELECTRICAL AND TRAFFIC MANAGEMENT DRAWINGS.

REVISION	DESCRIPTION	DRAWING NO.

REVISIONS				
REV.	DESCRIPTION	DATE	DRAWN BY	CHECKED BY
R0	ISSUED FIRST SUBMISSION OF TENDER DRAWINGS	27-03-2026	HL	RK

APPROVAL OF NMRC OFFICIALS				

Certified that this document has been designed and checked in accordance with DDC Quality Assurance Plan.

Authorised Signatory for DDC.
NGNEDDC Project Manager

Architecture Design In-charge/ Coordinator	Structure Design In-charge/ Coordinator	E&M Design In-charge/ Coordinator
---	--	--------------------------------------

DETAIL DESIGN CONSULTANT :

Ayesa India Private Limited
 D 99, 3rd Floor, Sector 2, Noida -201301, Gautam
 Budh Nagar, Uttar Pradesh
 Tel.: +(91) 120 490 8800, Email: delhi@ayesa.com

TENDER DESIGN

NOIDA METRO RAIL CORPORATION LTD.
 Block-III, 3rd Floor, Ganga Shopping Complex, Sector-29, Noida -201301,
 District Gautam Budh Nagar, Uttar Pradesh, India

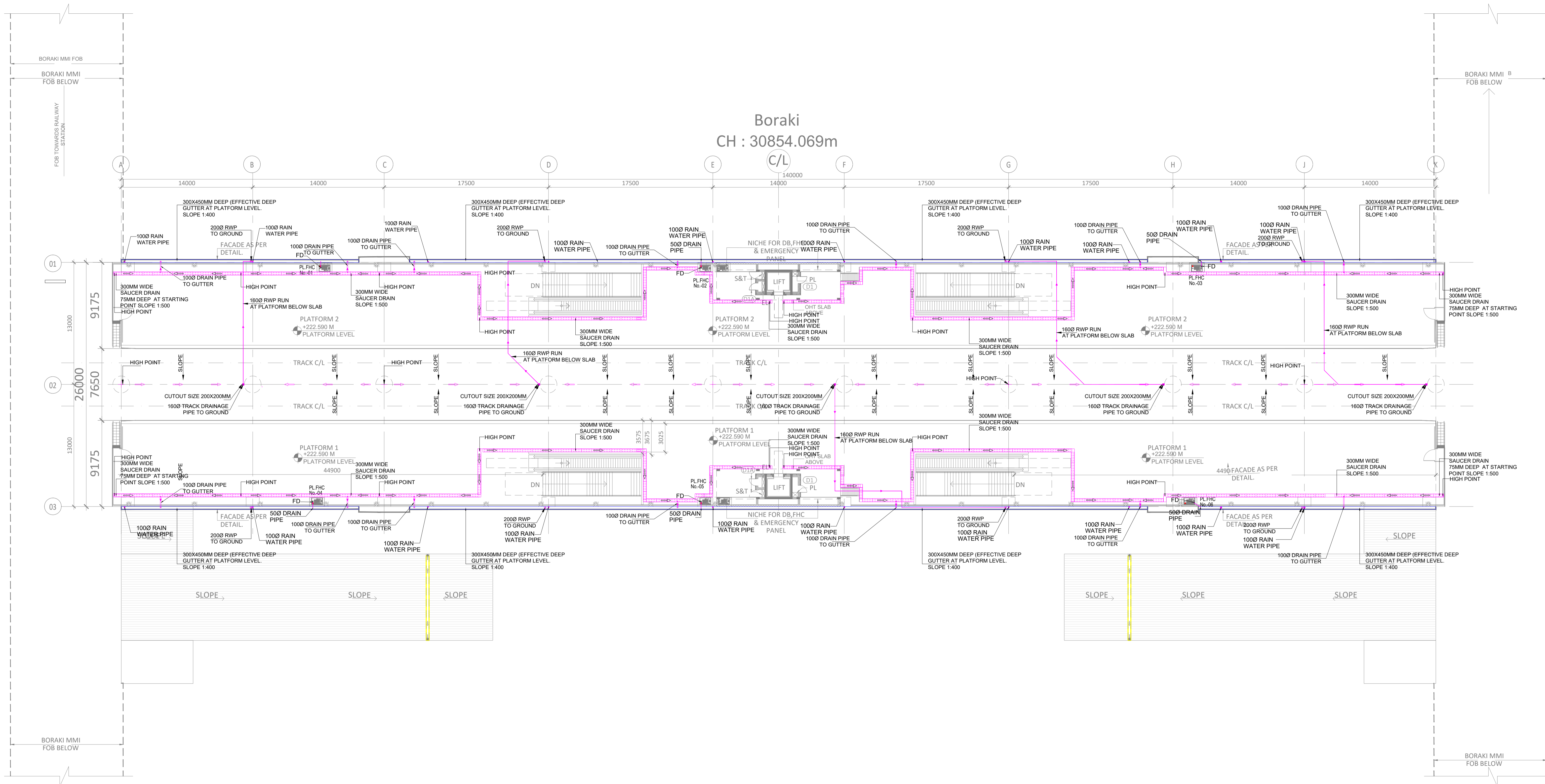
PROJECT: CONTRACT NO: NGNECC-01- Part Design & Construction of Elevated Viaduct and 10 nos. of Elevated Stations for Extension Projects of NMRC's Aqua Line from Botanical Garden to Noida Sec-142 (from Chainage (-) 383.959 to 12130.143) and from Depot Station to Boraki MMTH (Chainage 28678.253 to 31263.482)

STATION: BORAKI STATION

DRAWING TITLE: CONCOURSE LEVEL PLAN-WATER SUPPLY LAYOUT

NORTH	DRAWN BY: HL	CHECKED BY: RK	VERIFIED BY: SJ	APPROVED BY: NG
	DATE: 27-03-2026	REV: RO	SCALE: 1:200	STATUS: TED
ORDER N°	DRAWING NUMBER: NGNE-BRK-TED-PLB-13002	SHEET NO. 01 OF 01	SHEET SIZE A-1	NGNEDDC PLUMBING

This drawing must not be either loaned, copied or otherwise reproduced in whole or in part or used for any purpose without the prior written permission of NMRC.



Boraki
CH : 30854.069m

GENERAL NOTES:

- ALL DIMENSIONS ARE IN MILLIMETER UNLESS MENTIONED.
- ALL DIMENSIONS ARE TO BE READ AND NOT MEASURED.
- ANY DISCREPANCY MUST BE BROUGHT TO THE NOTICE OF THE DMRC BEFORE EXECUTION OF WORK AT SITE.
- THIS DRAWING MUST BE READ IN CONJUNCTION WITH ALL RELEVANT ARCHITECTURAL, STRUCTURAL, PLUMBING & FIRE FIGHTING, ELECTRICAL AND TRAFFIC MANAGEMENT DRAWINGS.

REVISIONS				
REV.	DESCRIPTION	DATE	DRAWN BY	CHECKED BY
R0	ISSUED FIRST SUBMISSION OF TENDER DRAWINGS	27-03-2026	HL	RK

APPROVAL OF NMRC OFFICIALS				
NO.	NAME	DESIGNATION	DATE	SIGNATURE

Certified that this document has been designed and checked in accordance with DDC Quality Assurance Plan.

Authorised Signatory for DDC:
NGNEDDC Project Manager

Architecture Design In-charge/ Coordinator Structure Design In-charge/ Coordinator E&M Design In-charge/ Coordinator

DETAIL DESIGN CONSULTANT :

ayesa
Ayesa India Private Limited
D 99, 3rd Floor, Sector 2, Noida -201301, Gautam Budh Nagar, Uttar Pradesh
Tel.: +(91) 120 490 8800, Email: delhi@ayesa.com

TENDER DESIGN

NOIDA METRO RAIL CORPORATION LTD.
Block-III, 3rd Floor, Ganga Shopping Complex, Sector-29, Noida -201301, District Gautam Budh Nagar, Uttar Pradesh, India

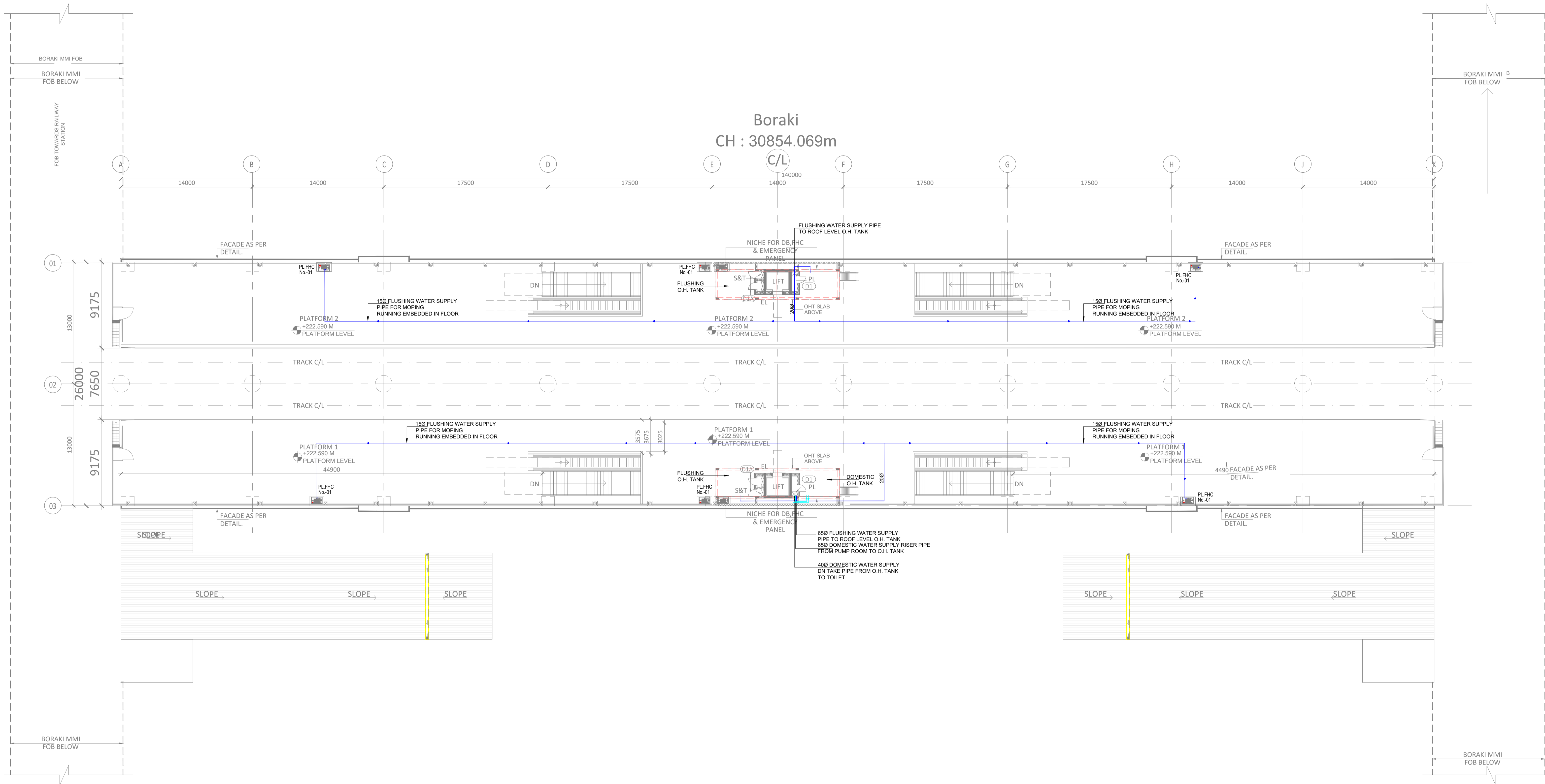
PROJECT: CONTRACT NO: NGNECC-01- Part Design & Construction of Elevated Viaduct and 10 nos. of Elevated Stations for Extension Projects of NMRC's Aqua Line from Botanical Garden to Noida Sec-142 (from Chainage (-) 383.959 to 12130.143) and from Depot Station to Boraki MMTH (Chainage 28678.253 to 31263.482)

STATION: BORAKI STATION

DRAWING TITLE: PLATFORM LEVEL -DRAINAGE LAYOUT

NORTH	DRAWN BY: HL	CHECKED BY: RK	VERIFIED BY: SJ	APPROVED BY: NG
	DATE: 27-03-2026	REV: R0	SCALE: 1:200	STATUS: TED
ORDER N°	DRAWING NUMBER: NGNE-BRK-TED-PLB-14001	SHEET NO. 01 OF 01	SHEET SIZE A-1	NGNEDDC PLUMBING

This drawing must not be either loaned, copied or otherwise reproduced in whole or in part or used for any purpose without the prior written permission of NMRC.



GENERAL NOTES:

- ALL DIMENSIONS ARE IN MILLIMETER UNLESS MENTIONED.
- ALL DIMENSIONS ARE TO BE READ AND NOT MEASURED.
- ANY DISCREPANCY MUST BE BROUGHT TO THE NOTICE OF THE DMRC BEFORE EXECUTION OF WORK AT SITE.
- THIS DRAWING MUST BE READ IN CONJUNCTION WITH ALL RELEVANT ARCHITECTURAL, STRUCTURAL, PLUMBING & FIRE FIGHTING, ELECTRICAL AND TRAFFIC MANAGEMENT DRAWINGS.

REVISION	DESCRIPTION	DRAWING NO.

REVISIONS				
REV.	DESCRIPTION	DATE	DRAWN BY	CHECKED BY
R0	ISSUED FIRST SUBMISSION OF TENDER DRAWINGS	27-03-2026	HL	RK

APPROVAL OF NMRC OFFICIALS				

Certified that this document has been designed and checked in accordance with DDC Quality Assurance Plan.

Authorised Signatory for DDC.
NGNEDDC Project Manager

Architecture Design In-charge/ Coordinator	Structure Design In-charge/ Coordinator	E&M Design In-charge/ Coordinator
---	--	--------------------------------------

DETAIL DESIGN CONSULTANT :

ayesa

Ayesa India Private Limited
D 99, 3rd Floor, Sector 2, Noida -201301, Gautam
Budh Nagar, Uttar Pradesh
Tel.: +(91) 120 490 8800, Email: delhi@ayesa.com

TENDER DESIGN

NOIDA METRO RAIL CORPORATION LTD.
Block-III, 3rd Floor, Ganga Shopping Complex, Sector-29, Noida -201301,
District Gautam Budh Nagar, Uttar Pradesh, India

PROJECT: CONTRACT NO: NGNECC-01- Part Design & Construction of Elevated Viaduct and 10 nos. of Elevated Stations for Extension Projects of NMR's Aqua Line from Botanical Garden to Noida Sec-142 (from Chainage (-) 383.959 to 12130.143) and from Depot Station to Boraki MMTH (Chainage 28678.253 to 31263.482)

STATION: BORAKI STATION

DRAWING TITLE: PLATFORM LEVEL PLAN -WATER SUPPLY LAYOUT

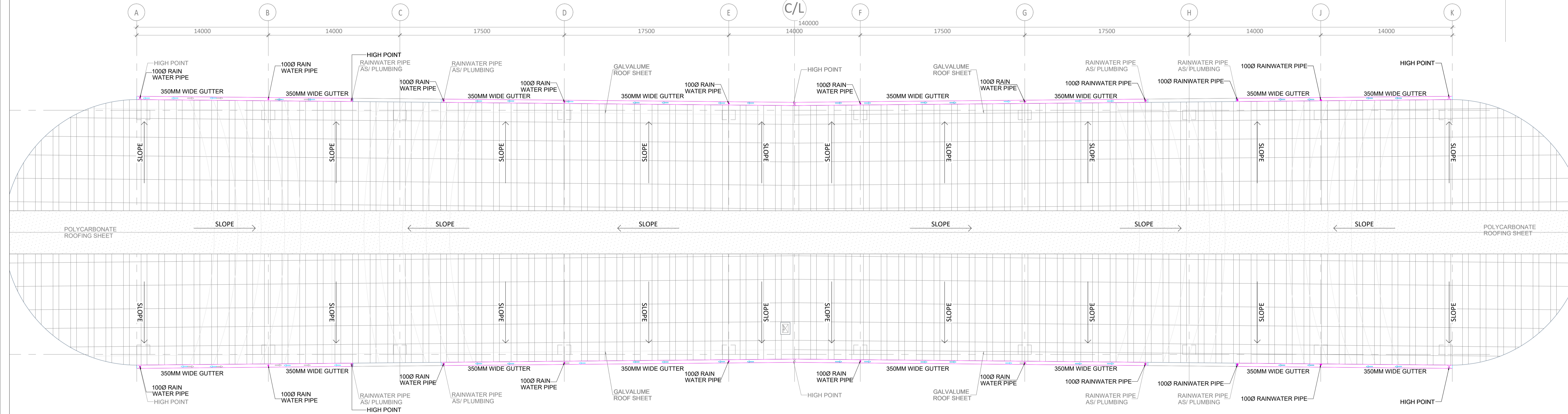
NORTH	DRAWN BY: HL	CHECKED BY: RK	VERIFIED BY: SJ	APPROVED BY: NG
	DATE: 27-03-2026	REV: R0	SCALE: 1:200	STATUS: TED
ORDER N°	DRAWING NUMBER: NGNE-BRK-TED-PLB-14002	SHEET NO. 01 OF 01	SHEET SIZE A-1	

NGNEDDC
PLUMBING

This drawing must not be either loaned, copied or otherwise reproduced in whole or in part or used for any purpose without the prior written permission of NMR.

Boraki
CH : 30868.569m

BORAKI MMI FOB



GENERAL NOTES

1. ALL DIMENSIONS ARE IN MILLIMETER UNLESS MENTIONED.
2. ALL DIMENSIONS ARE TO BE READ AND NOT MEASURED.
3. ANY DISCREPANCY MUST BE BROUGHT TO THE NOTICE OF THE DMRC BEFORE EXECUTION OF WORK AT SITE.
4. THIS DRAWING MUST BE READ IN CONJUNCTION WITH ALL RELEVANT ARCHITECTURAL, STRUCTURAL, PLUMBING & FIRE FIGHTING, ELECTRICAL AND TRAFFIC MANAGEMENT DRAWINGS.

REVISION	DESCRIPTION	DRAWING NO.

REVISIONS				
REV.	DESCRIPTION	DATE	DRAWN BY	CHECKED BY
R0	ISSUED FIRST SUBMISSION OF TENDER DRAWINGS	27-03-2026	HL	RK

APPROVAL OF NMRC OFFICIALS				
NO.	NAME	DESIGNATION	DATE	SIGNATURE

Certified that this document has been designed and checked in accordance with DDC Quality Assurance Plan.

Authorised Signatory for DDC.
NGNEDDC Project Manager

Architecture Design In-charge/ Coordinator	Structure Design In-charge/ Coordinator	E&M Design In-charge/ Coordinator
---	--	--------------------------------------

DETAIL DESIGN CONSULTANT :

ayesa

Ayesa India Private Limited
D 99, 3rd Floor, Sector 2, Noida -201301, Gautam
Budh Nagar, Uttar Pradesh
Tel.: +(91) 120 490 8800, Email: delhi@ayesa.com

TENDER DESIGN

NOIDA METRO RAIL CORPORATION LTD.
Block-III, 3rd Floor, Ganga Shopping Complex, Sector-29, Noida -201301,
District Gautam Budh Nagar, Uttar Pradesh, India

PROJECT: CONTRACT NO: NGNECC-01- Part Design & Construction of Elevated Viaduct and 10 nos. of Elevated Stations for Extension Projects of NMRC's Aqua Line from Botanical Garden to Noida Sec-142 (from Chainage (-) 383.959 to 12130.143) and from Depot Station to Boraki MMTH (Chainage 28678.253 to 31263.482)

STATION: BORAKI STATION

DRAWING TITLE: ROOF LEVEL PLAN-DRAINAGE LAYOUT

NORTH	DRAWN BY: HL	CHECKED BY: RK	VERIFIED BY: SJ	APPROVED BY: NG
	DATE: 27-03-2026	REV: R0	SCALE: 1:200	STATUS: TED
ORDER N°	DRAWING NUMBER: NGNE-BRK-TED-PLB-15001	SHEET NO. 01 OF 01	SHEET SIZE A-1	NGNEDDC PLUMBING

This drawing must not be either loaned, copied or otherwise reproduced in whole or in part or used for any purpose without the prior written permission of NMRC.

LIST OF PLUMBING DRAWINGS

S.NO.	DRAWING NO.	DRAWING TITLE	SHEET	REV.
01	NGNE-JUN-TED-PLB-10001	LIST OF PLUMBING DRAWINGS	1 OF 1	R0
02	NGNE-JUN-TED-PLB-10002	TYPICAL DETAIL & SECTION -PLUMBING LAYOUT	1 OF 1	R0
03	NGNE-JUN-TED-PLB-10003	TOILET DETAIL-PLUMBING LAYOUT	1 OF 1	R0
04	NGNE-JUN-TED-PLB-10004	SCHEMATIC DIAGRAM FOR DRAINAGE SYSTEM	1 OF 1	R0
05	NGNE-JUN-TED-PLB-10005	SCHEMATIC DIAGRAM FOR SEWAGE SYSTEM	1 OF 1	R0
06	NGNE-JUN-TED-PLB-10006	SCHEMATIC DIAGRAM FOR WATER SUPPLY SYSTEM	1 OF 1	R0
07	NGNE-JUN-TED-PLB-11001	GROUND FLOOR PLAN - DRAINAGE & WATER SUPPLY LAYOUT	1 OF 1	R0
08	NGNE-JUN-TED-PLB-12001	PUMP ROOM - PLUMBING LAYOUT	1 OF 1	R0
09	NGNE-JUN-TED-PLB-13001	CONCOURSE LEVEL PLAN -DRAINAGE LAYOUT	1 OF 1	R0
10	NGNE-JUN-TED-PLB-13002	CONCOURSE LEVEL PLAN -WATER SUPPLY LAYOUT	1 OF 1	R0
11	NGNE-JUN-TED-PLB-14001	PLATFORM LEVEL PLAN-DRAINAGE LAYOUT	1 OF 1	R0
12	NGNE-JUN-TED-PLB-14002	PLATFORM LEVEL PLAN-WATER SUPPLY LAYOUT	1 OF 1	R0
13	NGNE-JUN-TED-PLB-15001	ROOF LEVEL PLAN-DRAINAGE LAYOUT	1 OF 1	R0

TENDER DESIGN



NOIDA METRO RAIL CORPORATION LTD.
Block-III, 3rd Floor, Ganga Shopping Complex, Sector-29, Noida -201301,
District Gautam Budh Nagar, Uttar Pradesh, India

PROJECT: CONTRACT NO: NGNECC-01- Part Design & Construction of Elevated Viaduct and 10 nos. of Elevated Stations for Extension Projects of NMRC's Aqua Line from Botanical Garden to Noida Sec-142 (from Chainage (-) 383.959 to 12130.143) and from Depot Station to Boraki MMTH (Chainage 28678.253 to 31263.482)

STATION: JUNPAT STATION

DRAWING TITLE: LIST OF PLUMBING DRAWINGS

NORTH	DRAWN BY:	CHECKED BY:	VERIFIED BY:	APPROVED BY:
	HL	RK	SJ	NG
	DATE: 27-03-2026	REV: R0	SCALE: 1:200	STATUS: TED
ORDER N°	DRAWING NUMBER: NGNE-JUN-TED-PLB-10001	SHEET NO. 01 OF 01	SHEET SIZE A-1	

This drawing must not be either loaned, copied or otherwise reproduced in whole or in part or used for any purpose without the prior written permission of NMRC.

GENERAL NOTES:
1. ALL DIMENSIONS ARE IN MILLIMETER UNLESS MENTIONED.
2. ALL DIMENSIONS ARE TO BE READ AND NOT MEASURED.
3. ANY DISCREPANCY MUST BE BROUGHT TO THE NOTICE OF THE DMRC BEFORE EXECUTION OF WORK AT SITE.
4. THIS DRAWING MUST BE READ IN CONJUNCTION WITH ALL RELEVANT ARCHITECTURAL, STRUCTURAL, PLUMBING & FIRE FIGHTING, ELECTRICAL AND TRAFFIC MANAGEMENT DRAWINGS.

REVISIONS

REV.	DESCRIPTION	DATE	DRAWN BY	CHECKED BY
R0	ISSUED FIRST SUBMISSION OF TENDER DRAWINGS	27-03-2026	HL	RK

APPROVAL OF NMRC OFFICIALS

NAME	DESIGNATION	DATE

Certified that this document has been designed and checked in accordance with DDC Quality Assurance Plan.

Authorised Signatory for DDC.
NGNEDDC Project Manager

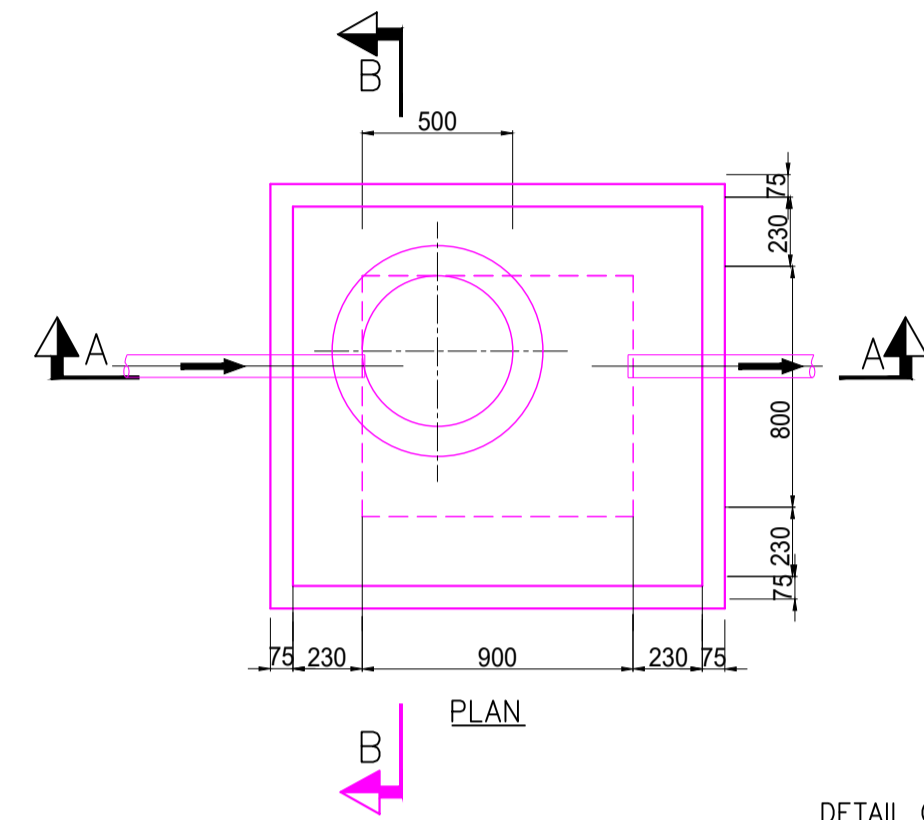
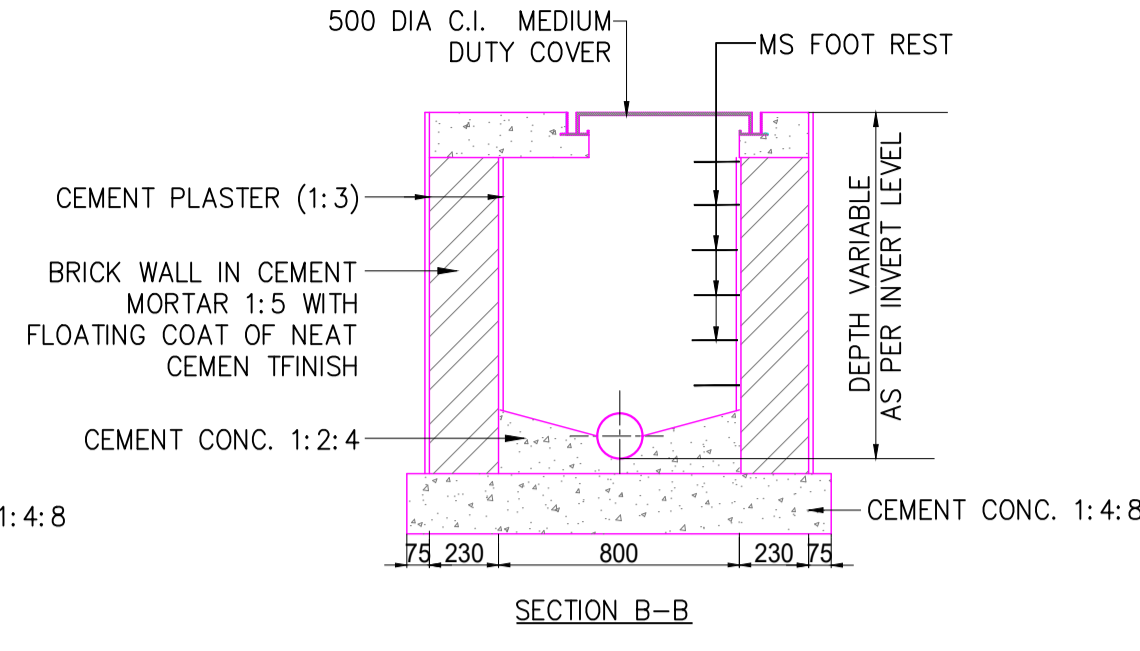
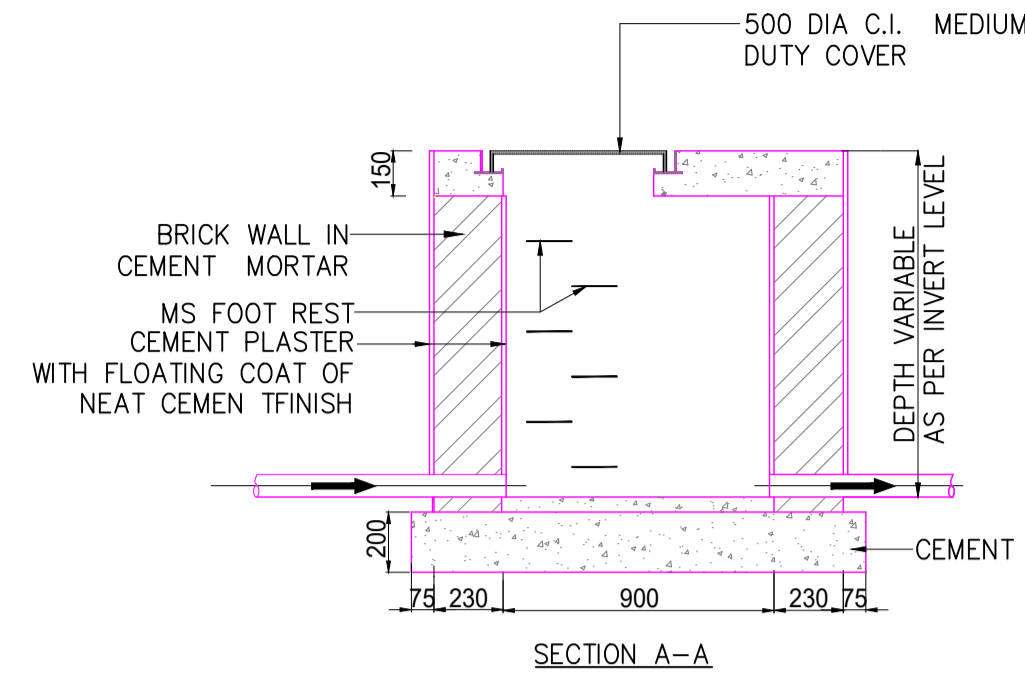
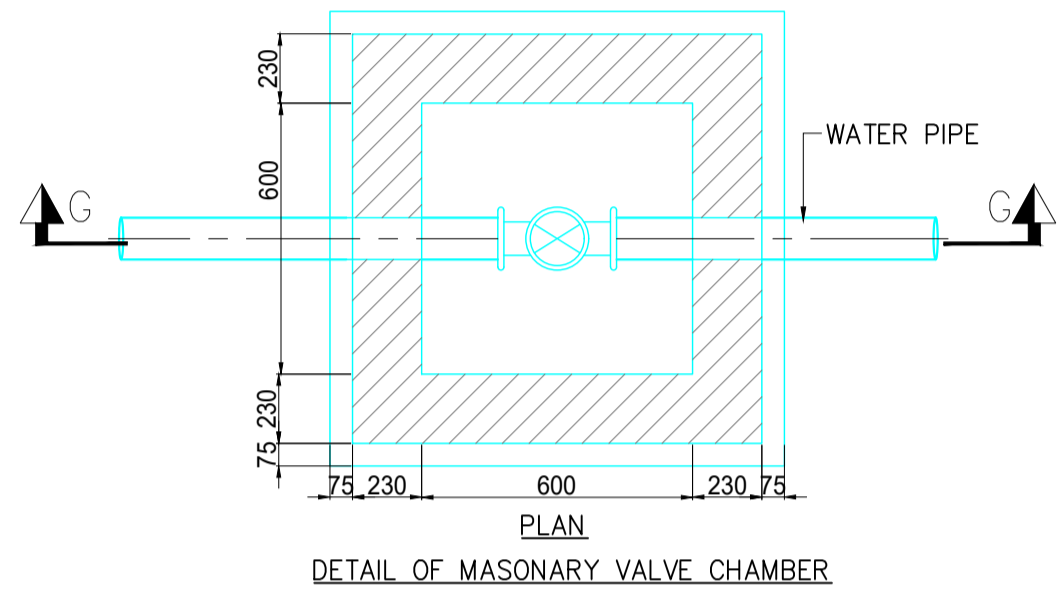
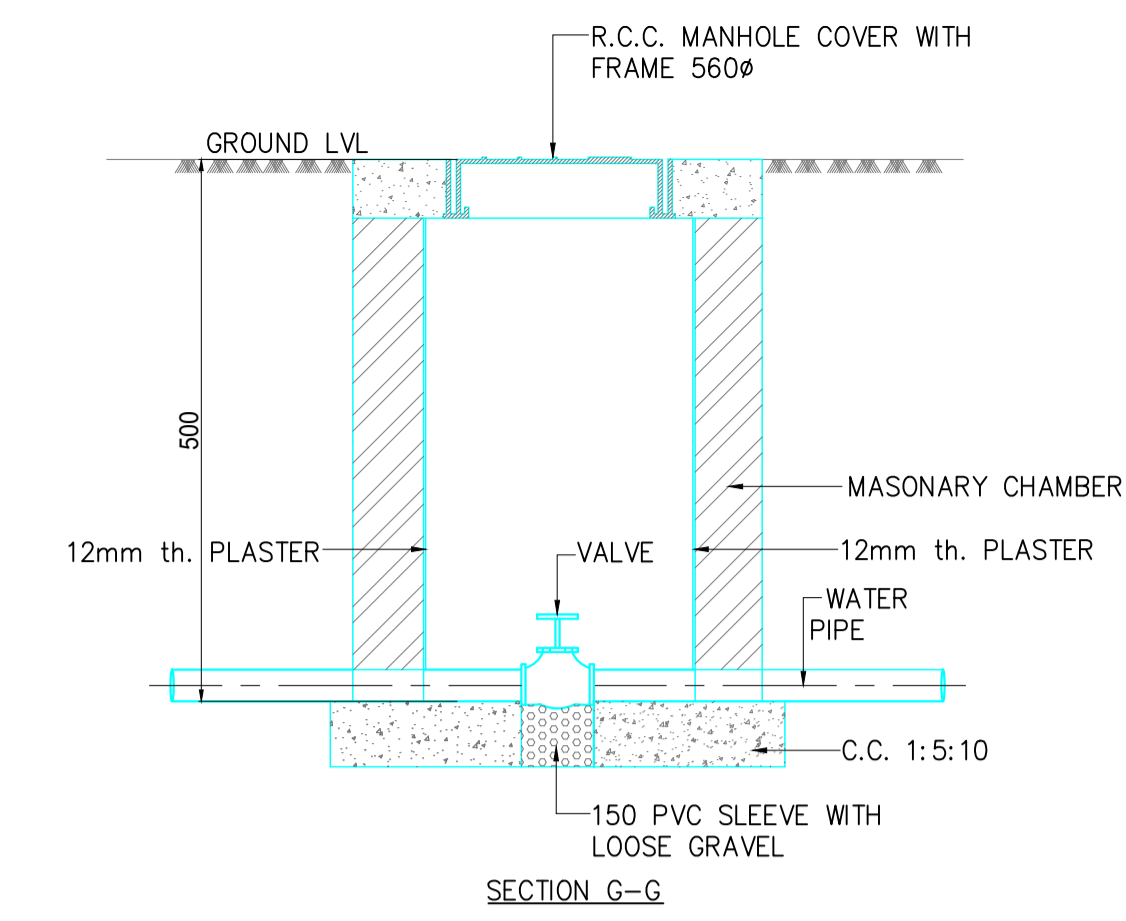
Architecture Design In-charge/ Coordinator
Structure Design In-charge/ Coordinator
E&M Design In-charge/ Coordinator

DETAIL DESIGN CONSULTANT :

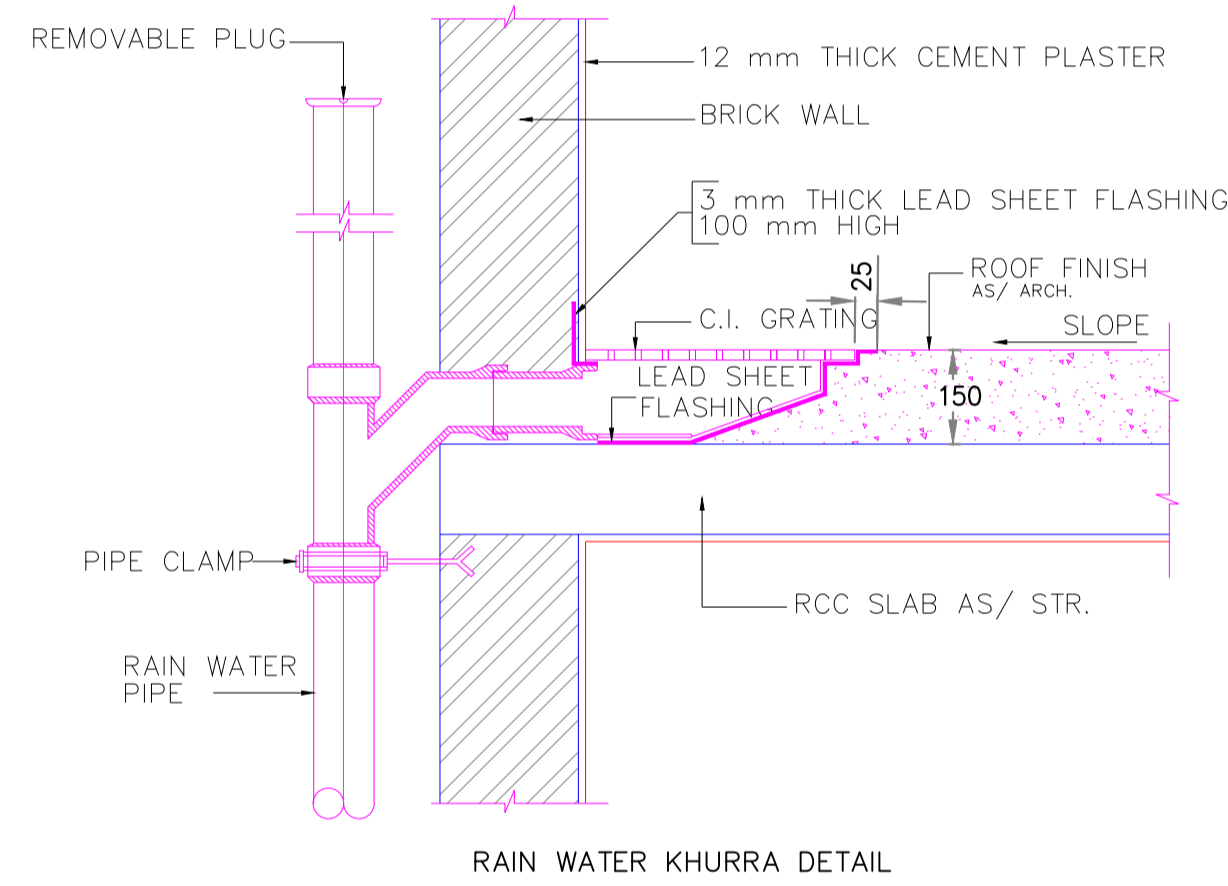
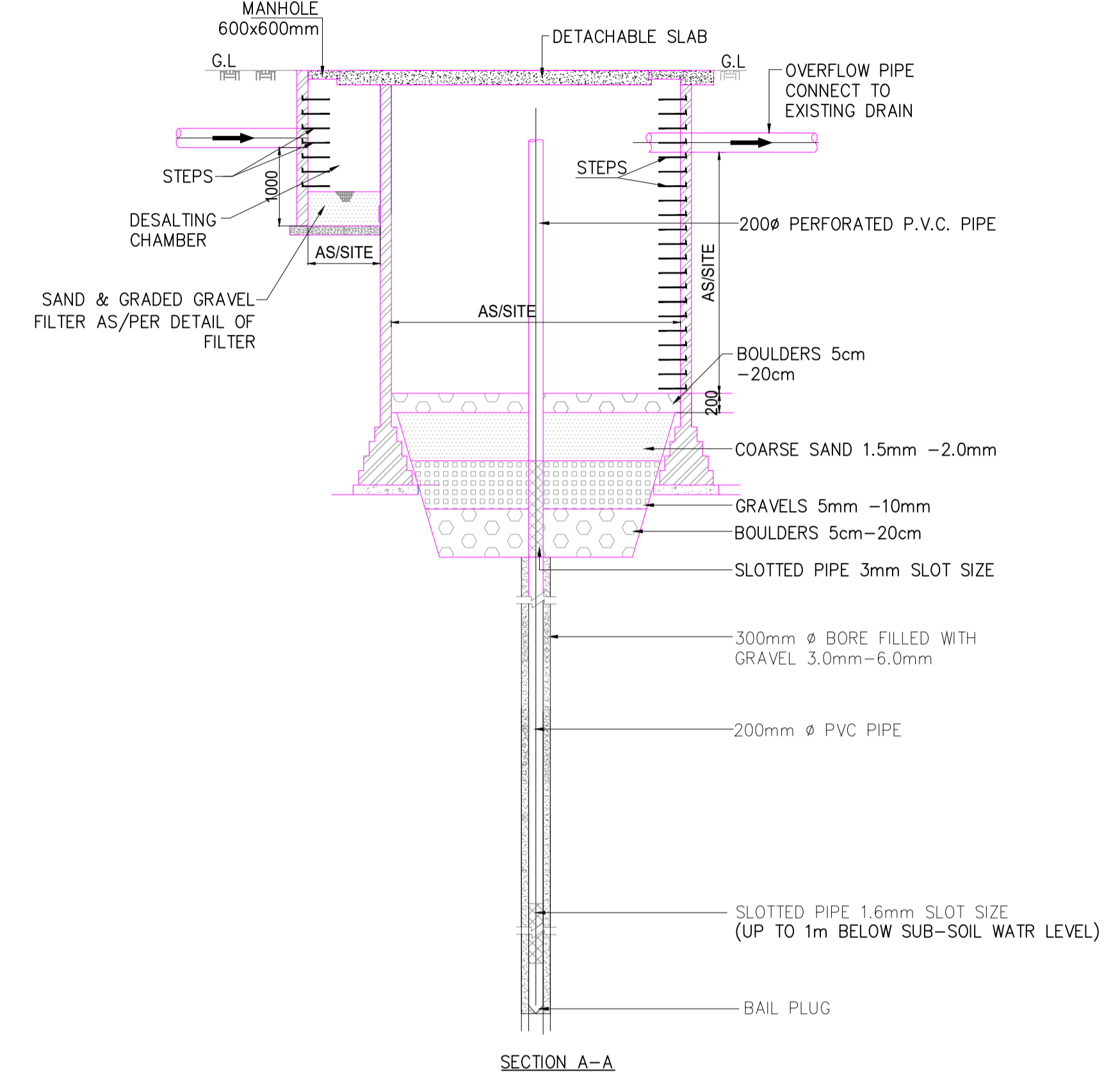
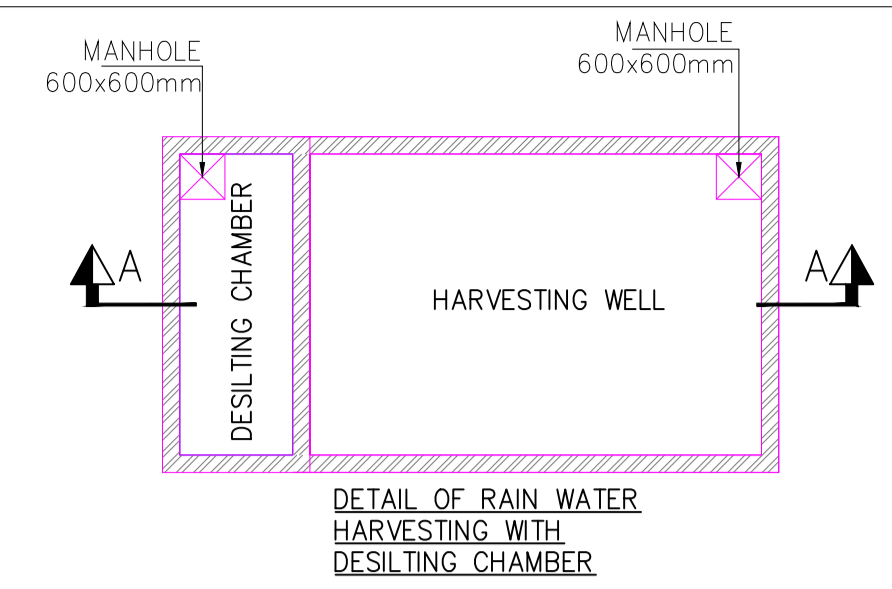


Ayesa India Private Limited
D 99, 3rd Floor, Sector 2, Noida -201301, Gautam
Budh Nagar, Uttar Pradesh
Tel.: +(91) 120 490 8800, Email: delhi@ayesa.com

NOIDA METRO RAIL CORPORATION LTD.

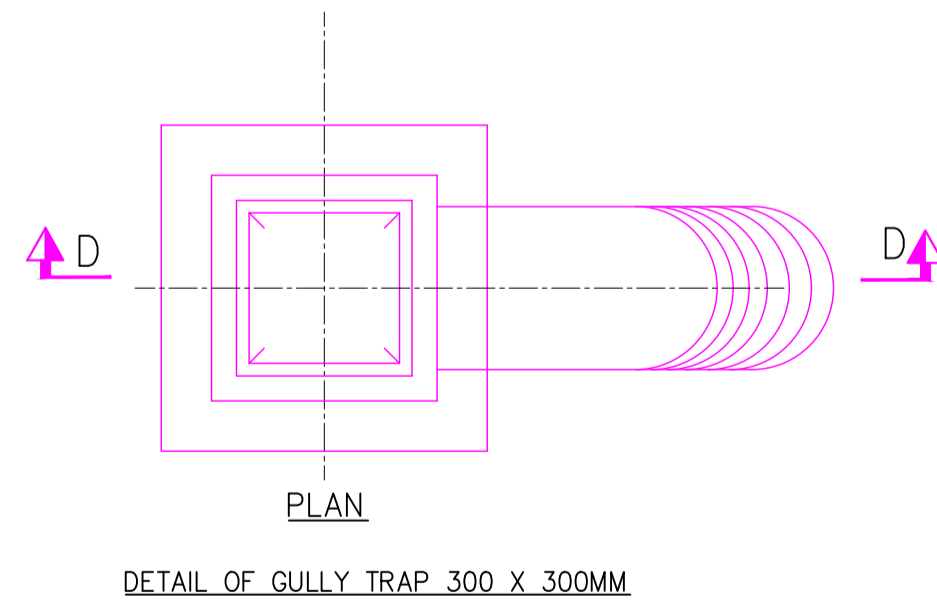
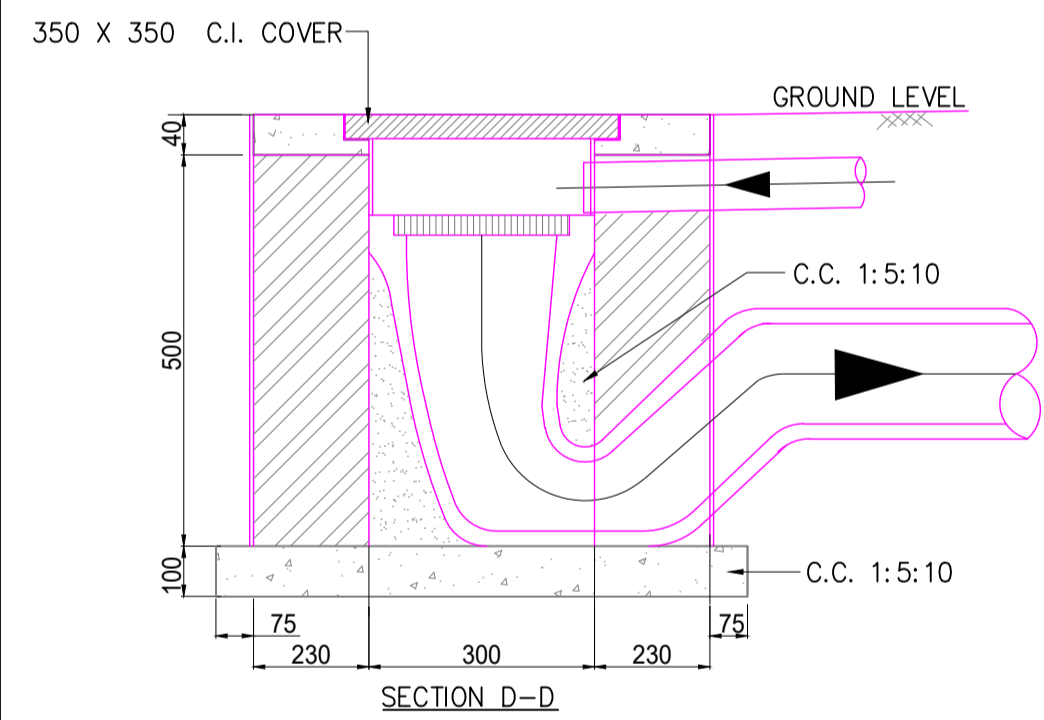


DETAIL OF RECTANGULAR MANHOLE 900 X 800MM

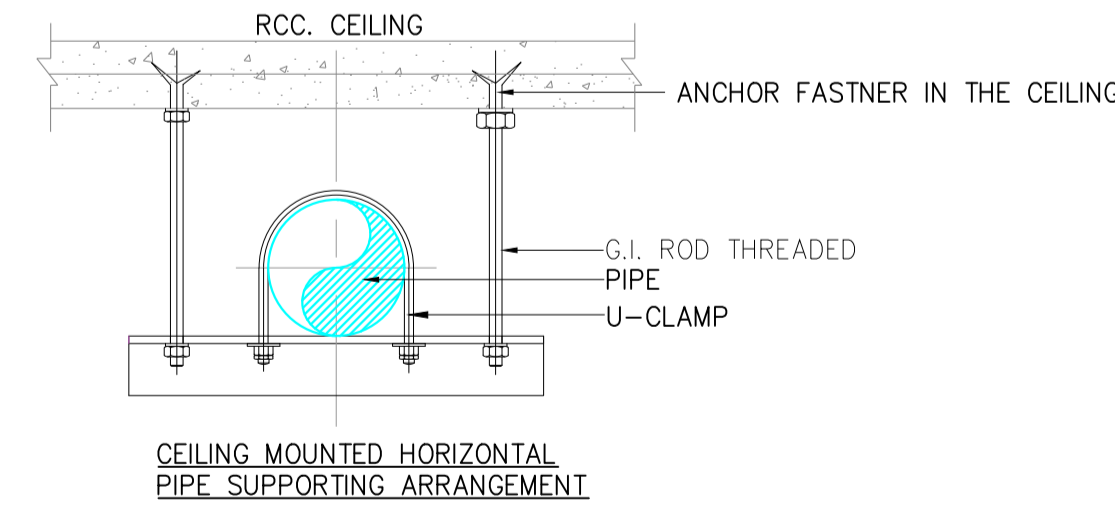
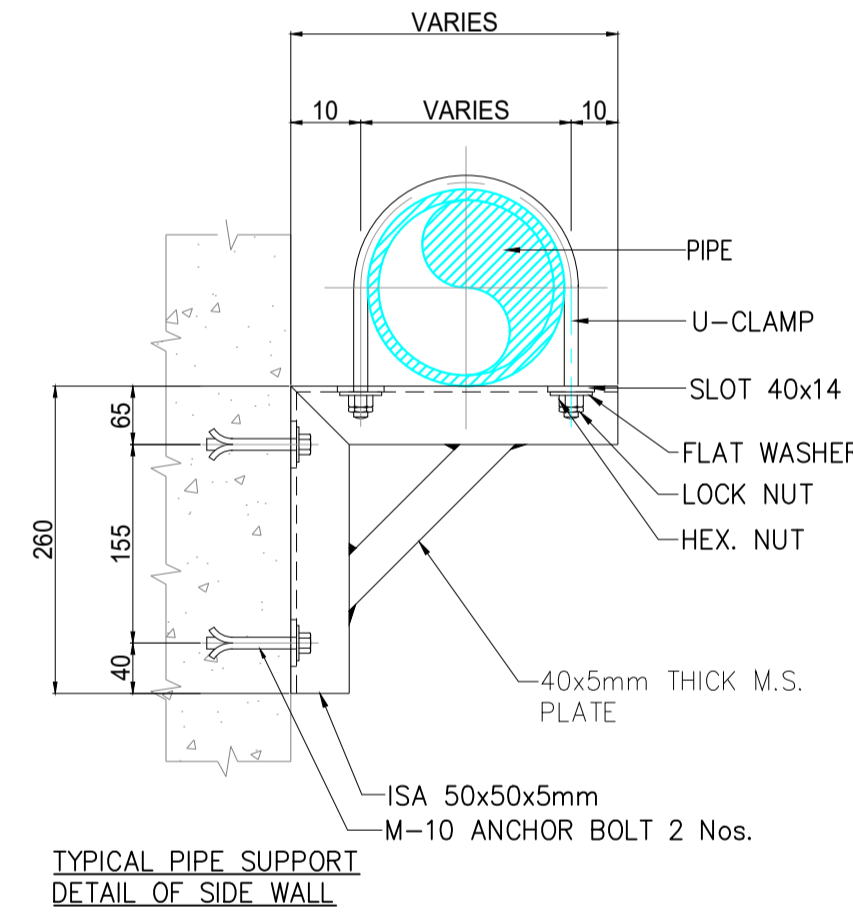
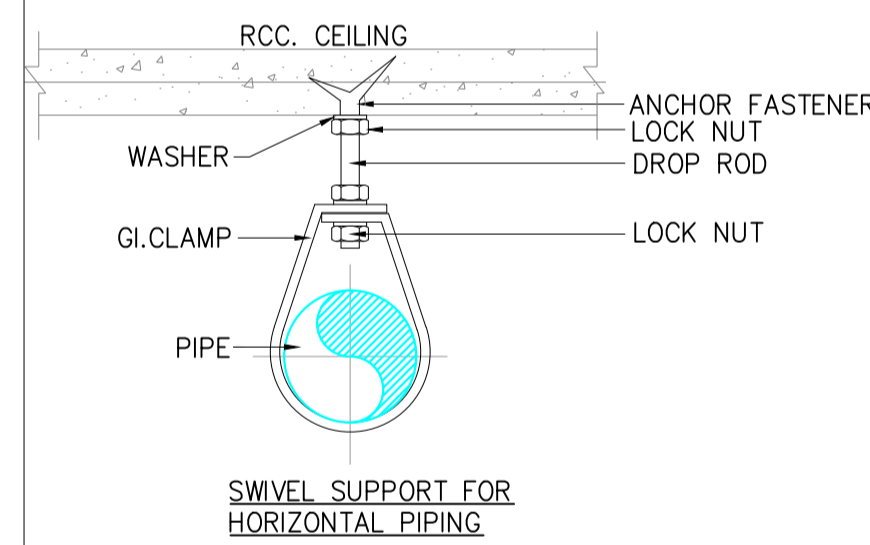


NOTES

1. ALL DIMENSIONS ARE IN MM. UNLESS OTHERWISE SPECIFIED
2. PROPER CEMENT CONCRETE CHANNEL AND TRENCHING ARE TO BE PROVIDED RELEVANT SMOOTH WITH FLOATING COAT OF NEAT CEMENT FINISH.
3. TOP OF MANHOLES, CATCH BASINS ARE TO BE PLACED IN CONJUNCTION WITH ADJACENT FINISHED LEVEL AS APPLICABLE.

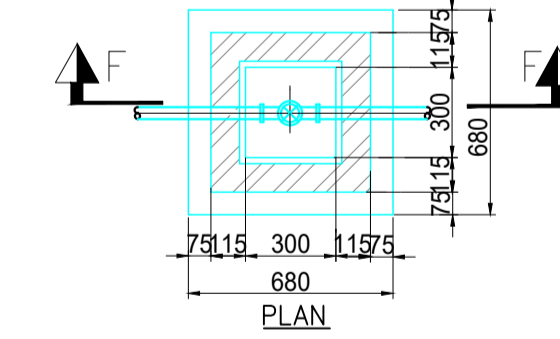
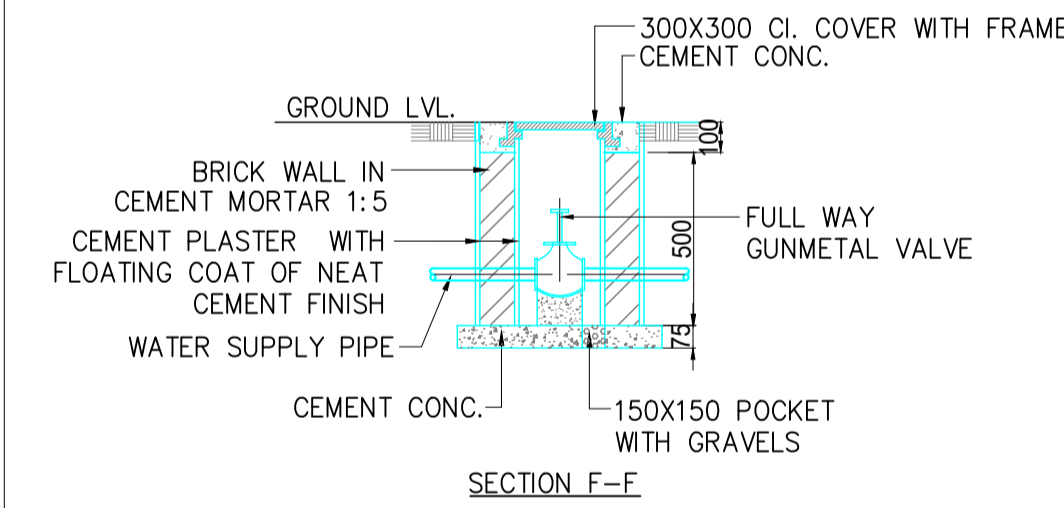


DETAIL OF GULLY TRAP 300 X 300MM



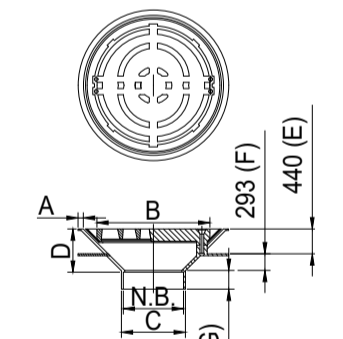
SPACING FOR PIPE SUPPORT ARE AS FOLLOW:-

PIPE SIZE (DN)	SUPPORT DISTANCE	
	HORIZONTAL (m)	VERTICAL (m)
15	1.8	2.4
20-32	2.4	3.0
40-50	2.4	3.7
65-100	3.0	4.6



TYPICAL DETAIL OF FULL WAY VALVE CHAMBER (UP TO 50MM DIA PIPE)

NEER THRUFLO FLAT GRATE DIMENSIONAL DATA



N.B	A	B	C	D	E	F	G
80	200	150	85	80	33	22	25

TYPICAL DETAIL OF FLOOR DRAIN

GENERAL NOTES

1. ALL DIMENSIONS ARE IN MILLIMETER UNLESS MENTIONED.
2. ALL DIMENSIONS ARE TO BE READ AND NOT MEASURED.
3. ANY DISCREPANCY MUST BE BROUGHT TO THE NOTICE OF THE NMRC BEFORE EXECUTION OF WORK AT SITE.
4. THIS DRAWING MUST BE READ IN CONJUNCTION WITH ALL RELEVANT ARCHITECTURAL, STRUCTURAL, PLUMBING & FIRE FIGHTING, ELECTRICAL AND TRAFFIC MANAGEMENT DRAWINGS.

REVISION	DESCRIPTION	DRAWING NO.
R0	ISSUED FIRST SUBMISSION OF TENDER DRAWINGS	

REV.	DESCRIPTION	DATE	DRAWN BY	CHECKED BY
R0	ISSUED FIRST SUBMISSION OF TENDER DRAWINGS	27-03-2026	HL	RK

APPROVAL OF NMRC OFFICIALS

NO.	NAME	DESIGNATION	DATE

Certified that this document has been designed and checked in accordance with DDC Quality Assurance Plan.

Architecture Design In-charge/ Coordinator: _____
 Structure Design In-charge/ Coordinator: _____
 E&M Design In-charge/ Coordinator: _____

DETAIL DESIGN CONSULTANT : **ayesa**

Ayesa India Private Limited
 D 99, 3rd Floor, Sector 2, Noida -201301, Gautam Budh Nagar, Uttar Pradesh
 Tel.: +(91) 120 490 8800, Email: delhi@ayesa.com

Noida Metro Rail Corporation Ltd.
 Block-III, 3rd Floor, Ganga Shopping Complex, Sector-29, Noida -201301, District Gautam Budh Nagar, Uttar Pradesh, India

PROJECT: NOIDA - GREATER NOIDA CORRIDOR

STATION: JUNPAT STATION

DRAWING TITLE: TYPICAL DETAIL & SECTION - PLUMBING LAYOUT

ORDER NO	DRAWING NUMBER	SHEET NO	SHEET SIZE
	NGNE-JUN-TED-PLB-10002	01 OF 01	A-1

APPROVED BY: _____
 STATUS: _____
 SHEET NO: _____

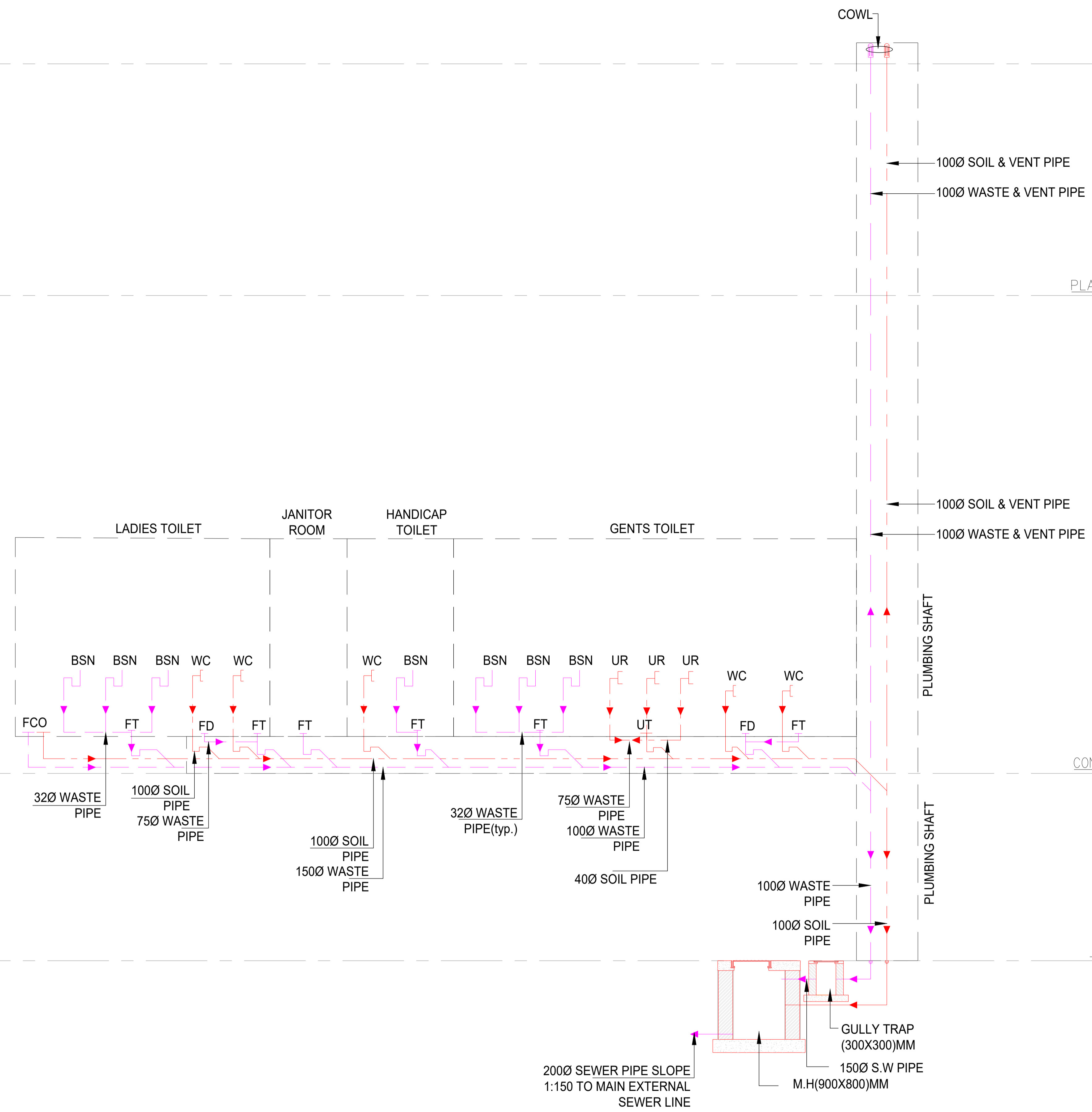
€ OF STATION

ROOF LEVEL

PLATFORM LEVEL

CONCOURSE LEVEL

GROUND LEVEL



LEGEND:-

FT - FLOOR TRAP	
FD - FLOOR DRAIN	
FCO - FLOOR CLEAN OUT	
WC - WATER CLOSED	
BSN - WASH BASIN	
UR - URINAL	
WASTE PIPE	
SOIL PIPE	

SCHEMATIC DIAGRAM FOR SEWAGE SYSTEM

TENDER DESIGN

<p>NOIDA METRO RAIL CORPORATION LTD. Block-III, 3rd Floor, Ganga Shopping Complex, Sector-29, Noida -201301, District Gautam Budh Nagar, Uttar Pradesh, India</p>													
<p>PROJECT: CONTRACT NO: NGNECC-01- Part Design & Construction of Elevated Viaduct and 10 nos. of Elevated Stations for Extension Projects of NMR's Aqua Line from Botanical Garden to Noida Sec-142 (from Chainage (-) 383.959 to 12130.143) and from Depot Station to Boraki MMTH (Chainage 28678.253 to 31263.482)</p>													
<p>STATION: JUNPAT STATION</p>													
<p>DRAWING TITLE: SCHEMATIC DIAGRAM FOR SEWAGE SYSTEM</p>													
<p>NORTH</p>	<table border="1"> <tr> <td>DRAWN BY: HL</td> <td>CHECKED BY: RK</td> <td>VERIFIED BY: SJ</td> <td>APPROVED BY: NG</td> </tr> <tr> <td>DATE: 27-03-2026</td> <td>REV: R0</td> <td>SCALE: 1:200</td> <td>STATUS: TED</td> </tr> <tr> <td>ORDER N°</td> <td>DRAWING NUMBER: NGNE-JUN-TED-PLB-10005</td> <td>SHEET NO. 01 OF 01</td> <td>SHEET SIZE A-1</td> </tr> </table>	DRAWN BY: HL	CHECKED BY: RK	VERIFIED BY: SJ	APPROVED BY: NG	DATE: 27-03-2026	REV: R0	SCALE: 1:200	STATUS: TED	ORDER N°	DRAWING NUMBER: NGNE-JUN-TED-PLB-10005	SHEET NO. 01 OF 01	SHEET SIZE A-1
DRAWN BY: HL	CHECKED BY: RK	VERIFIED BY: SJ	APPROVED BY: NG										
DATE: 27-03-2026	REV: R0	SCALE: 1:200	STATUS: TED										
ORDER N°	DRAWING NUMBER: NGNE-JUN-TED-PLB-10005	SHEET NO. 01 OF 01	SHEET SIZE A-1										
<p>This drawing must not be either loaned, copied or otherwise reproduced in whole or in part or used for any purpose without the prior written permission of NMRC.</p>													

Certified that this document has been designed and checked in accordance with DDC Quality Assurance Plan.

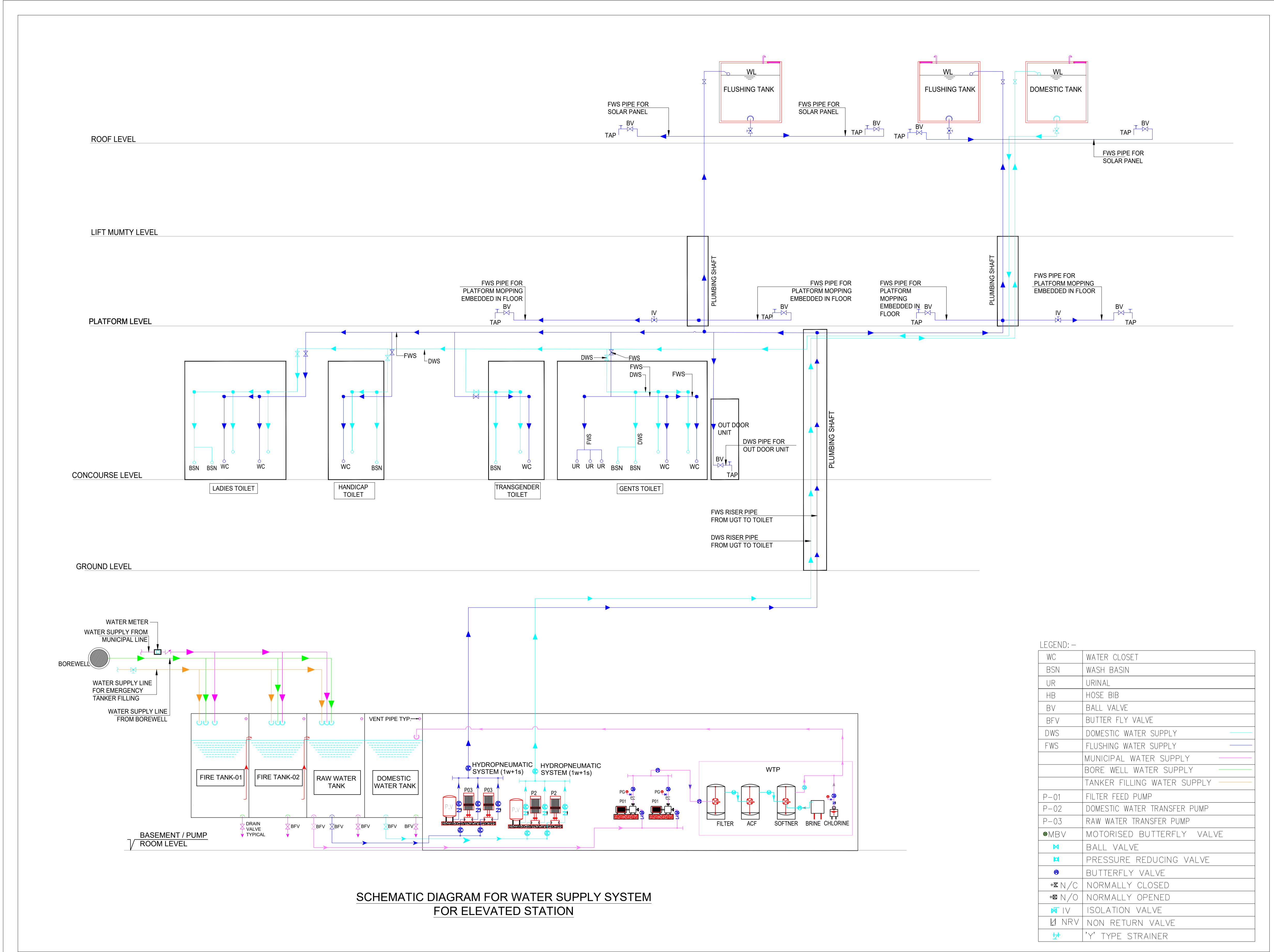
Authorised Signatory for DDC, NGNEDDC Project Manager

Architecture Design In-charge/ Coordinator	Structure Design In-charge/ Coordinator	E&M Design In-charge/ Coordinator
--	---	-----------------------------------



Ayesa India Private Limited
D 99, 3rd Floor, Sector 2, Noida -201301, Gautam Budh Nagar, Uttar Pradesh
Tel.: +(91) 120 490 8800, Email: delhi@ayesa.com

GENERAL NOTES				REVISIONS				APPROVAL OF NMRC OFFICIALS																																										
<p>1. ALL DIMENSIONS ARE IN MILLIMETER UNLESS MENTIONED. 2. ALL DIMENSIONS ARE TO BE READ AND NOT MEASURED. 3. ANY DISCREPANCY MUST BE BROUGHT TO THE NOTICE OF THE DMRC BEFORE EXECUTION OF WORK AT SITE. 4. THIS DRAWING MUST BE READ IN CONJUNCTION WITH ALL RELEVANT ARCHITECTURAL, STRUCTURAL, PLUMBING & FIRE FIGHTING, ELECTRICAL AND TRAFFIC MANAGEMENT DRAWINGS.</p>				<table border="1"> <tr> <th>REV.</th> <th>DESCRIPTION</th> <th>DATE</th> <th>DRAWN BY</th> <th>CHECKED BY</th> </tr> <tr> <td>R0</td> <td>ISSUED FIRST SUBMISSION OF TENDER DRAWINGS</td> <td>27-03-2026</td> <td>HL</td> <td>RK</td> </tr> </table>				REV.	DESCRIPTION	DATE	DRAWN BY	CHECKED BY	R0	ISSUED FIRST SUBMISSION OF TENDER DRAWINGS	27-03-2026	HL	RK	<table border="1"> <tr> <td> </td><td> </td><td> </td><td> </td><td> </td><td> </td><td> </td><td> </td><td> </td><td> </td> </tr> </table>																																
REV.	DESCRIPTION	DATE	DRAWN BY	CHECKED BY																																														
R0	ISSUED FIRST SUBMISSION OF TENDER DRAWINGS	27-03-2026	HL	RK																																														
<table border="1"> <thead> <tr> <th>REVISION</th> <th>DESCRIPTION</th> <th>DRAWING NO.</th> </tr> </thead> <tbody> <tr><td> </td><td> </td><td> </td></tr> <tr><td> </td><td> </td><td> </td></tr> <tr><td> </td><td> </td><td> </td></tr> <tr><td> </td><td> </td><td> </td></tr> <tr><td> </td><td> </td><td> </td></tr> <tr><td> </td><td> </td><td> </td></tr> <tr><td> </td><td> </td><td> </td></tr> <tr><td> </td><td> </td><td> </td></tr> <tr><td> </td><td> </td><td> </td></tr> <tr><td> </td><td> </td><td> </td></tr> </tbody> </table>				REVISION	DESCRIPTION	DRAWING NO.																															<table border="1"> <tr> <td> </td><td> </td><td> </td><td> </td><td> </td><td> </td><td> </td><td> </td><td> </td><td> </td> </tr> </table>													
REVISION	DESCRIPTION	DRAWING NO.																																																



LEGEND: -

WC	WATER CLOSET
BSN	WASH BASIN
UR	URINAL
HB	HOSE BIB
BV	BALL VALVE
BFV	BUTTER FLY VALVE
DWS	DOMESTIC WATER SUPPLY
FWS	FLUSHING WATER SUPPLY
	MUNICIPAL WATER SUPPLY
	BORE WELL WATER SUPPLY
	TANKER FILLING WATER SUPPLY
P-01	FILTER FEED PUMP
P-02	DOMESTIC WATER TRANSFER PUMP
P-03	RAW WATER TRANSFER PUMP
MBV	MOTORIZED BUTTERFLY VALVE
	BALL VALVE
	PRESSURE REDUCING VALVE
	BUTTERFLY VALVE
N/C	NORMALLY CLOSED
N/O	NORMALLY OPENED
IV	ISOLATION VALVE
NRV	NON RETURN VALVE
Y	'Y' TYPE STRAINER

SCHEMATIC DIAGRAM FOR WATER SUPPLY SYSTEM FOR ELEVATED STATION

TENDER DESIGN

NOIDA METRO RAIL CORPORATION LTD.
 Block-III, 3rd Floor, Ganga Shopping Complex, Sector-29, Noida -201301, District Gautam Budh Nagar, Uttar Pradesh, India

PROJECT: CONTRACT NO: NGNECC-01- Part Design & Construction of Elevated Viaduct and 10 nos. of Elevated Stations for Extension Projects of NMR's Aqua Line from Botanical Garden to Noida Sec-142 (from Chainage (-) 383.959 to 12130.143) and from Depot Station to Boraki MMTH (Chainage 28678.253 to 31263.482)

STATION: JUNPAT STATION

DRAWING TITLE: SCHEMATIC DIAGRAM FOR WATER SUPPLY SYSTEM

NORTH	DRAWN BY: HL	CHECKED BY: RK	VERIFIED BY: SJ	APPROVED BY: NG
	DATE: 27-03-2026	REV: RO	SCALE: 1:200	STATUS: TED
ORDER N°	DRAWING NUMBER: NGNE-JUN-TED-PLB-10006	SHEET NO: 01 OF 01	SHEET SIZE: A-1	

This drawing must not be either loaned, copied or otherwise reproduced in whole or in part or used for any purpose without the prior written permission of NMR.

Certified that this document has been designed and checked in accordance with DDC Quality Assurance Plan.

Authorised Signatory for DDC: NGNEDDC Project Manager

Architecture Design In-charge/ Coordinator Structure Design In-charge/ Coordinator E&M Design In-charge/ Coordinator

ayesa

Ayesa India Private Limited
 D 99, 3rd Floor, Sector 2, Noida -201301, Gautam Budh Nagar, Uttar Pradesh
 Tel.: +(91) 120 490 8800, Email: delhi@ayesa.com

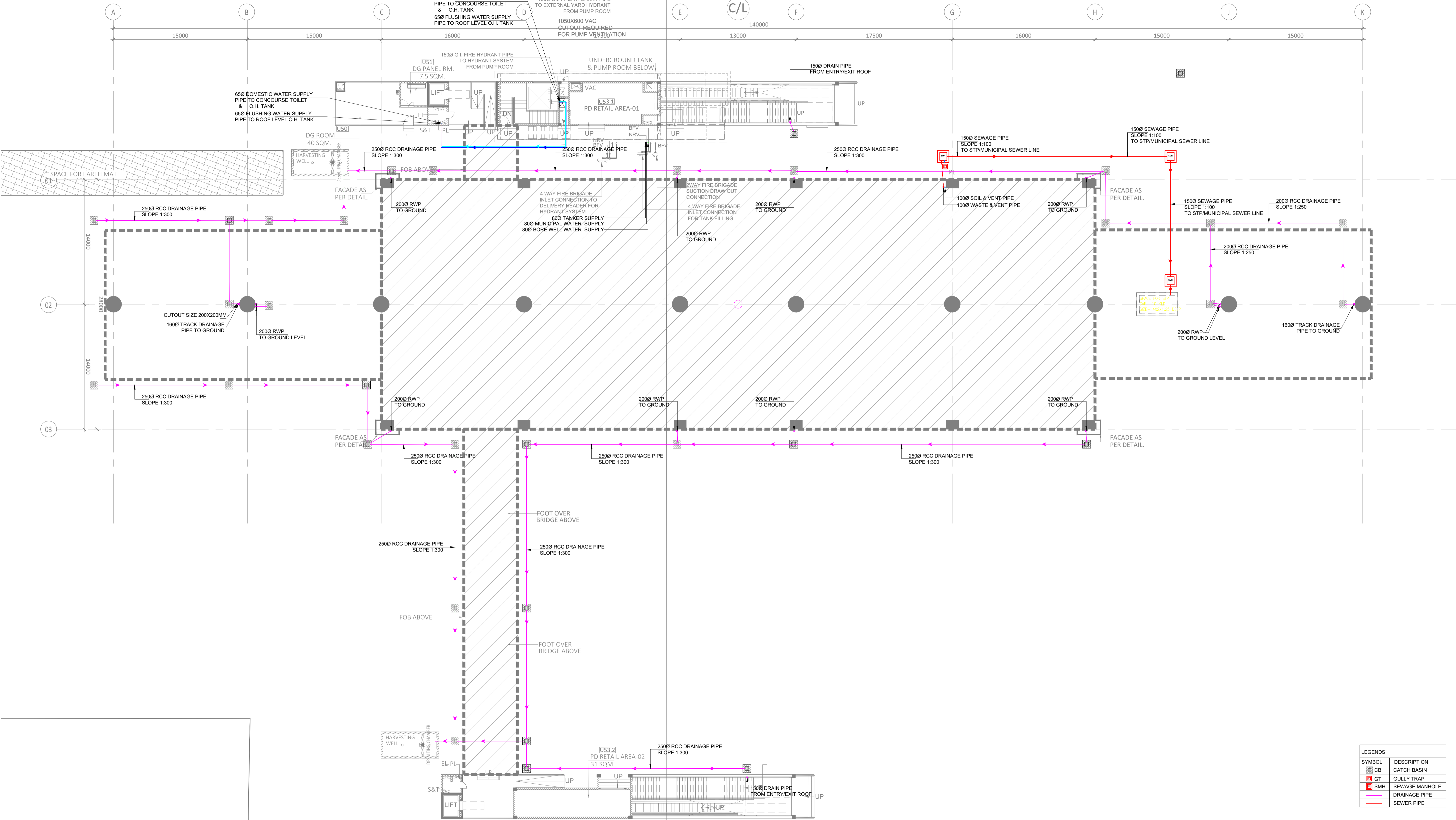
GENERAL NOTES			
1. ALL DIMENSIONS ARE IN MILLIMETER UNLESS MENTIONED.			
2. ALL DIMENSIONS ARE TO BE READ AND NOT MEASURED.			
3. ANY DISCREPANCY MUST BE BROUGHT TO THE NOTICE OF THE DMRC BEFORE EXECUTION OF WORK AT SITE.			
4. THIS DRAWING MUST BE READ IN CONJUNCTION WITH ALL RELEVANT ARCHITECTURAL, STRUCTURAL, PLUMBING & FIRE FIGHTING, ELECTRICAL AND TRAFFIC MANAGEMENT DRAWINGS.			

REVISIONS				
REV.	DESCRIPTION	DATE	DRAWN BY	CHECKED BY
R0	ISSUED FIRST SUBMISSION OF TENDER DRAWINGS	27-03-2026	HL	RK

REFERENCE DRAWINGS		
REVISION	DESCRIPTION	DRAWING NO.

APPROVAL OF NMR OFFICIALS				
NO.	NAME	DESIGNATION	DATE	SIGNATURE

Junpat Village
CH : 29447.969m



LEGENDS	
SYMBOL	DESCRIPTION
	CATCH BASIN
	GULLY TRAP
	SEWAGE MANHOLE
	DRAINAGE PIPE
	SEWER PIPE

GENERAL NOTES:

- ALL DIMENSIONS ARE IN MILLIMETER UNLESS MENTIONED.
- ALL DIMENSIONS ARE TO BE READ AND NOT MEASURED.
- ANY DISCREPANCY MUST BE BROUGHT TO THE NOTICE OF THE DMRC BEFORE EXECUTION OF WORK AT SITE.
- THIS DRAWING MUST BE READ IN CONJUNCTION WITH ALL RELEVANT ARCHITECTURAL, STRUCTURAL, PLUMBING & FIRE FIGHTING, ELECTRICAL AND TRAFFIC MANAGEMENT DRAWINGS.

REVISION	DESCRIPTION	DRAWING NO.

REVISIONS				
REV.	DESCRIPTION	DATE	DRAWN BY	CHECKED BY
R0	ISSUED FIRST SUBMISSION OF TENDER DRAWINGS	27-03-2026	HL	RK

APPROVAL OF NMRC OFFICIALS				
NO.	NAME	DESIGNATION	DATE	SIGNATURE

Certified that this document has been designed and checked in accordance with DDC Quality Assurance Plan.

Authorised Signatory for DDC, NGNEDDC Project Manager

Architecture Design In-charge/ Coordinator	Structure Design In-charge/ Coordinator	E&M Design In-charge/ Coordinator
---	--	--------------------------------------

DETAIL DESIGN CONSULTANT :

ayesa

Ayesa India Private Limited
D 99, 3rd Floor, Sector 2, Noida -201301, Gautam
Budh Nagar, Uttar Pradesh
Tel.: +(91) 120 490 8800, Email: delhi@ayesa.com

TENDER DESIGN

NOIDA METRO RAIL CORPORATION LTD.
Block-III, 3rd Floor, Ganga Shopping Complex, Sector-29, Noida -201301,
District Gautam Budh Nagar, Uttar Pradesh, India

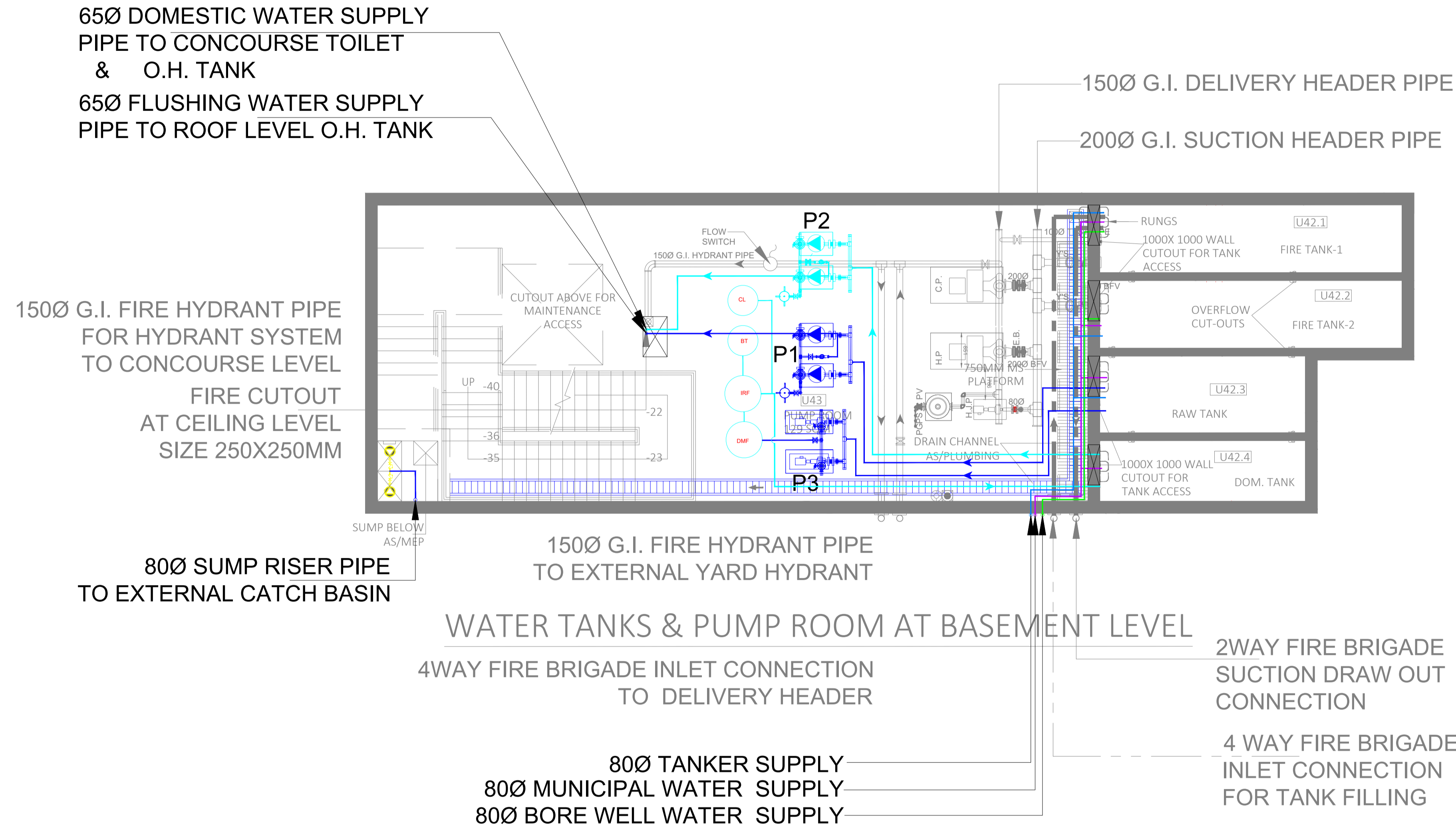
PROJECT: CONTRACT NO: NGNECC-01- Part Design & Construction of Elevated Viaduct and 10 nos. of Elevated Stations for Extension Projects of NMRC's Aqua Line from Botanical Garden to Noida Sec-142 (from Chainage (-) 383.959 to 12130.143) and from Depot Station to Boraki MMTH (Chainage 28678.253 to 31263.482)

STATION: JUNPAT STATION

DRAWING TITLE: GROUND FLOOR PLAN -DRAINAGE & WATER SUPPLY LAYOUT

NORTH	DRAWN BY: HL	CHECKED BY: RK	VERIFIED BY: SJ	APPROVED BY: NG
	DATE: 27-03-2026	REV: R0	SCALE: 1:200	STATUS: TED
ORDER N°	DRAWING NUMBER: NGNE-JUN-TED-PLB-11001	SHEET NO. 01 OF 01	SHEET SIZE A-1	

This drawing must not be either loaned, copied or otherwise reproduced in whole or in part or used for any purpose without the prior written permission of NMRC.



LEGEND:-

S.NO.	SYMBOL	DESCRIPTION
1		G.I. FIRE HYDRANT PIPE
2		4WAY FIRE BRIGADE INLET CONNECTION
3		NON-RETURN VALVE
4		BUTTERFLY VALVE
5		GATE VALVE
6		Y' STRAINER
7		EXPANSION BELLOW
8		PRESSURE GAUGE
9		PRESSURE SWICH
10		PRESSURE VESSEL
11		4.5 KG CARBON DIOXIDE FIRE EXTINGUISHER
12		6KG ABC DRY POWDER TYPE FIRE EXTINGUISHERS

EQUIPMENT FOR FIRE FIGHTING

SYMBOL	DESCRIPTION
C.P.	MAIN FIRE STAND BY COMMON PUMP (ELECTRIC)
H.P.	MAIN FIRE HYDRANT PUMP (ELECTRIC)
H.J.P.	HYDRANT JOCKEY PUMP (ELECTRIC)

LEGEND:-

S.NO.	SYMBOL	DESCRIPTION
1		BUTTERFLY VALVE
2		NON RETURN VALVE
3		FLUSHING WATER SUPPLY LINE
4		DOMESTIC WATER SUPPLY LINE
5		DUAL MEDIA FILTER
6		IRON REMOVABLE FILTER
7		BRINE TANK
8		CHLORINATOR

SIZE OF FOUNDATION OF PUMPS		
ITEM	PUMPS	DRIVE
P1	RAW WATER TRANSFER PUMP	ELECTRIC
P2	DOMESTIC WATER TRANSFER PUMP	ELECTRIC
P3	RAW WATER FILTRATION PUMP	ELECTRIC

WATER TANKS & PUMP ROOM AT BASEMENT LEVEL

4WAY FIRE BRIGADE INLET CONNECTION TO DELIVERY HEADER

2WAY FIRE BRIGADE SUCTION DRAW OUT CONNECTION

4 WAY FIRE BRIGADE INLET CONNECTION FOR TANK FILLING

800 TANKER SUPPLY
800 MUNICIPAL WATER SUPPLY
800 BORE WELL WATER SUPPLY

GENERAL NOTES:

- ALL DIMENSIONS ARE IN MILLIMETER UNLESS MENTIONED.
- ALL DIMENSIONS ARE TO BE READ AND NOT MEASURED.
- ANY DISCREPANCY MUST BE BROUGHT TO THE NOTICE OF THE DMRC BEFORE EXECUTION OF WORK AT SITE.
- THIS DRAWING MUST BE READ IN CONJUNCTION WITH ALL RELEVANT ARCHITECTURAL, STRUCTURAL, PLUMBING & FIRE FIGHTING, ELECTRICAL AND TRAFFIC MANAGEMENT DRAWINGS.

REVISION	DESCRIPTION	DRAWING NO.

REVISIONS				
REV.	DESCRIPTION	DATE	DRAWN BY	CHECKED BY
R0	ISSUED FIRST SUBMISSION OF TENDER DRAWINGS	27-03-2026	HL	RK

APPROVAL OF NMRC OFFICIALS				

Certified that this document has been designed and checked in accordance with DDC Quality Assurance Plan.

Authorised Signatory for DDC.
NGNEDDC Project Manager

Architecture Design In-charge/ Coordinator	Structure Design In-charge/ Coordinator	E&M Design In-charge/ Coordinator
---	--	--------------------------------------

DETAIL DESIGN CONSULTANT :

ayesa

Ayesa India Private Limited
D 99, 3rd Floor, Sector 2, Noida -201301, Gautam Budh Nagar, Uttar Pradesh
Tel.: +(91) 120 490 8800, Email: delhi@ayesa.com

TENDER DESIGN

NOIDA METRO RAIL CORPORATION LTD.
Block-III, 3rd Floor, Ganga Shopping Complex, Sector-29, Noida -201301, District Gautam Budh Nagar, Uttar Pradesh, India

PROJECT: CONTRACT NO: NGNECC-01- Part Design & Construction of Elevated Viaduct and 10 nos. of Elevated Stations for Extension Projects of NMRC's Aqua Line from Botanical Garden to Noida Sec-142 (from Chainage (-) 383.959 to 12130.143) and from Depot Station to Boraki MMTH (Chainage 28678.253 to 31263.482)

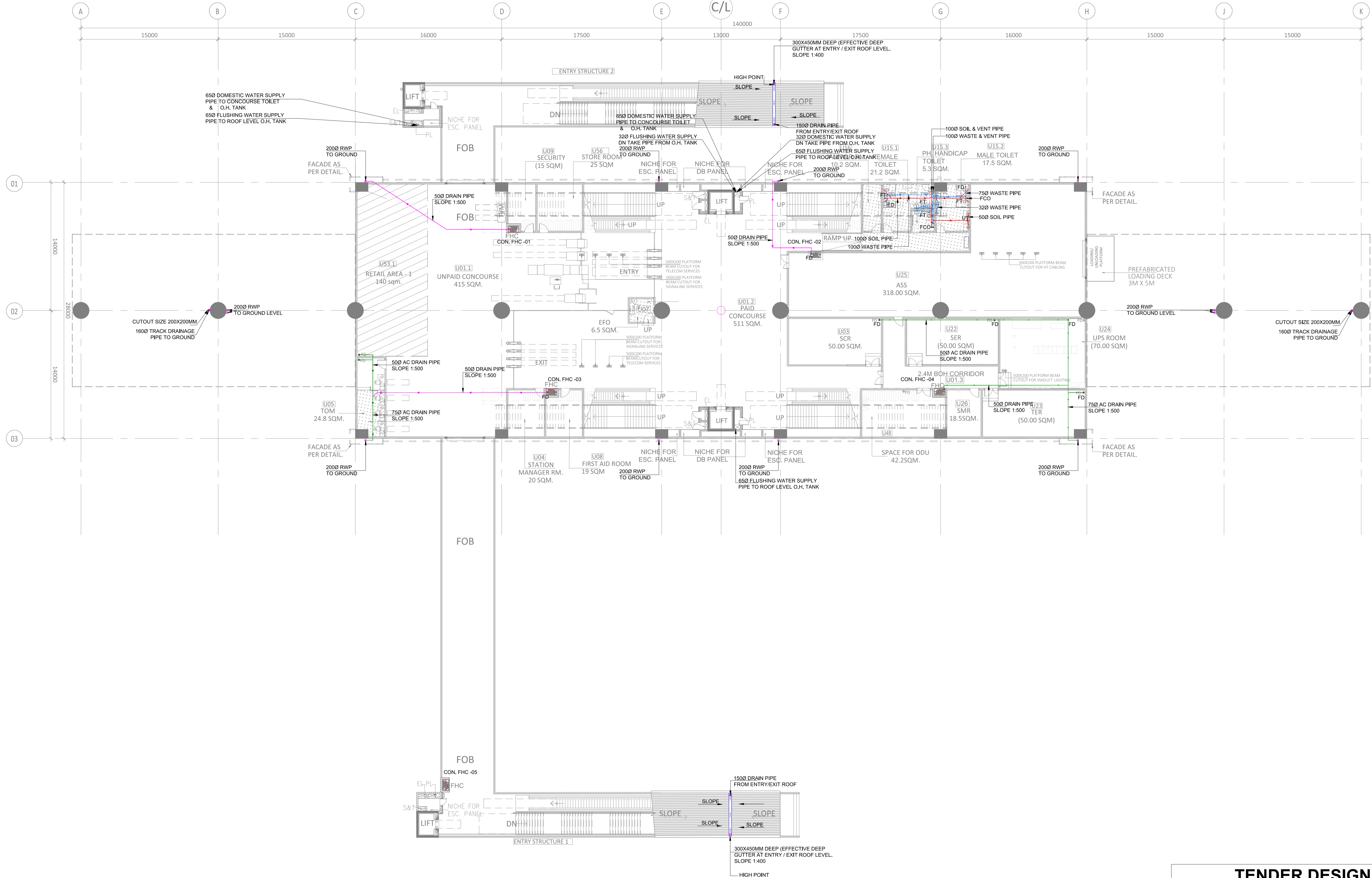
STATION: JUNPAT STATION

DRAWING TITLE: PUMP ROOM-PLUMBING LAYOUT

NORTH	DRAWN BY: HL	CHECKED BY: RK	VERIFIED BY: SJ	APPROVED BY: NG
	DATE: 27-03-2026	REV: RO	SCALE: 1:200	STATUS: TED
ORDER N°	DRAWING NUMBER: NGNE-JUN-TED-PLB-12001	SHEET NO. 01 OF 01	SHEET SIZE A-1	NGNEDDC PLUMBING

This drawing must not be either loaned, copied or otherwise reproduced in whole or in part or used for any purpose without the prior written permission of NMRC.

Junpat Village
CH : 29447.969m



TENDER DESIGN

NOIDA METRO RAIL CORPORATION LTD.
Block-III, 3rd Floor, Ganga Shopping Complex, Sector-29, Noida -201301,
District Gautam Budh Nagar, Uttar Pradesh, India

PROJECT: CONTRACT NO: NGNECC-01- Part Design & Construction of Elevated Viaduct and 10 nos. of Elevated Stations for Extension Projects of NMRCA's Aqua Line from Botanical Garden to Noida Sec-142 (from Chainage (-) 383.959 to 12130.143) and from Depot Station to Boraki MMTH (Chainage 28678.253 to 31263.482)

STATION: JUNPAT STATION
DRAWING TITLE: CONCOURSE LEVEL PLAN -DRAINAGE LAYOUT

NORTH	DRAWN BY: HL	CHECKED BY: RK	VERIFIED BY: SJ	APPROVED BY: NG
	DATE: 27-03-2026	REV: RO	SCALE: 1:200	STATUS: TED
ORDER N°	DRAWING NUMBER: NGNE-JUN-TED-PLB-13001	SHEET NO. 01 OF 01	SHEET SIZE A-1	

This drawing must not be either loaned, copied or otherwise reproduced in whole or in part or used for any purpose without the prior written permission of NMRCA.

GENERAL NOTES:

- ALL DIMENSIONS ARE IN MILLIMETER UNLESS MENTIONED.
- ALL DIMENSIONS ARE TO BE READ AND NOT MEASURED.
- ANY DISCREPANCY MUST BE BROUGHT TO THE NOTICE OF THE DMRC BEFORE EXECUTION OF WORK AT SITE.
- THIS DRAWING MUST BE READ IN CONJUNCTION WITH ALL RELEVANT ARCHITECTURAL, STRUCTURAL, PLUMBING & FIRE FIGHTING, ELECTRICAL AND TRAFFIC MANAGEMENT DRAWINGS.

REVISION	DESCRIPTION	DRAWING NO.

REV.	DESCRIPTION	DATE	DRAWN BY	CHECKED BY
R0	ISSUED FIRST SUBMISSION OF TENDER DRAWINGS	27-03-2026	HL	RK

APPROVAL OF NMRCA OFFICIALS				

Certified that this document has been designed and checked in accordance with DDC Quality Assurance Plan.

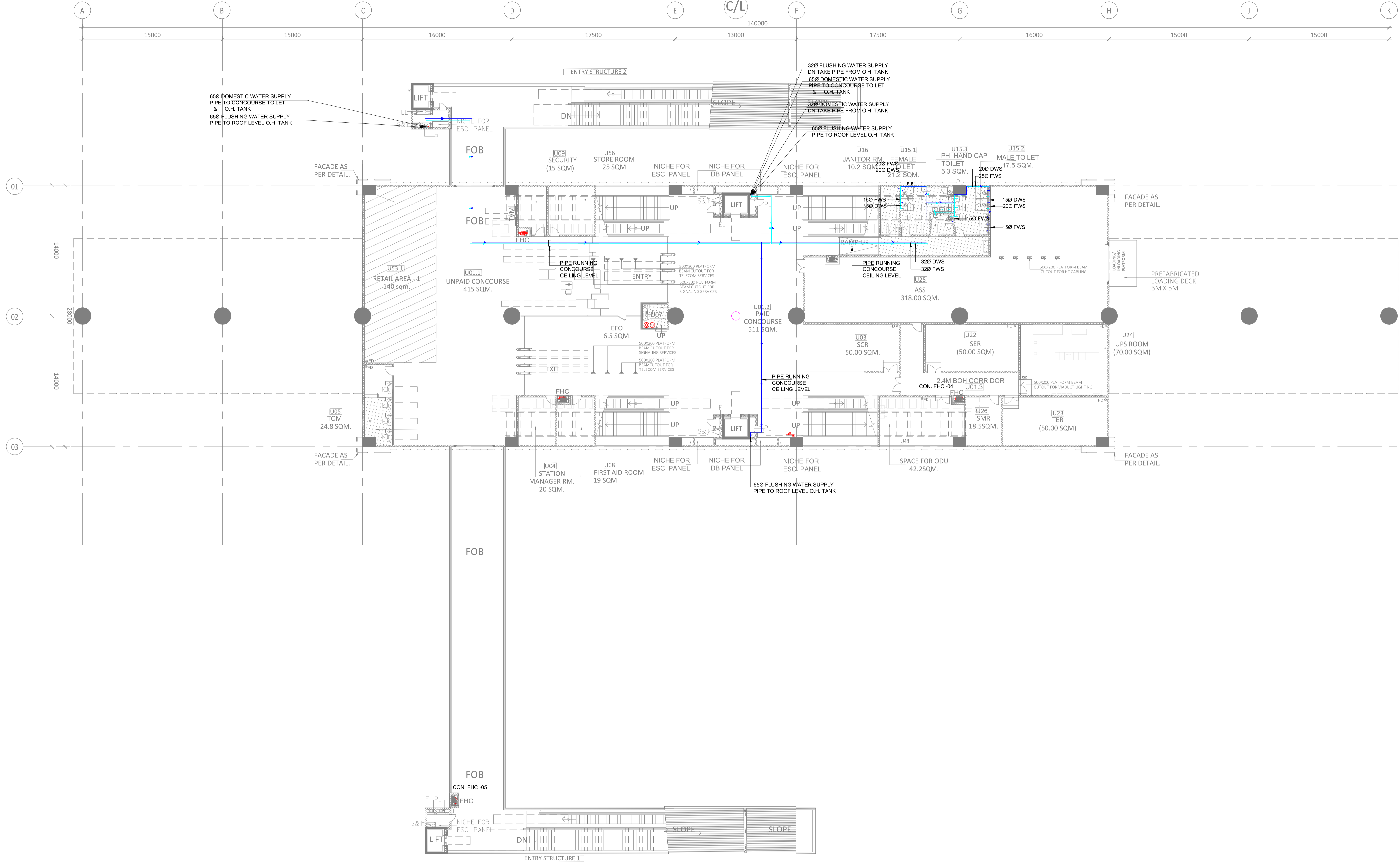
Authorised Signatory for DDC: NGNEDDC Project Manager

Architecture Design In-charge/ Coordinator	Structure Design In-charge/ Coordinator	E&M Design In-charge/ Coordinator
---	--	--------------------------------------

DETAIL DESIGN CONSULTANT :

ayesa
Ayesa India Private Limited
D 99, 3rd Floor, Sector 2, Noida -201301, Gautam
Budh Nagar, Uttar Pradesh
Tel.: +(91) 120 490 8800, Email: delhi@ayesa.com

Junpat Village
CH : 29447.969m



R0 ISSUED FIRST SUBMISSION OF TENDER DRAWINGS

27-03-2026 HL RK

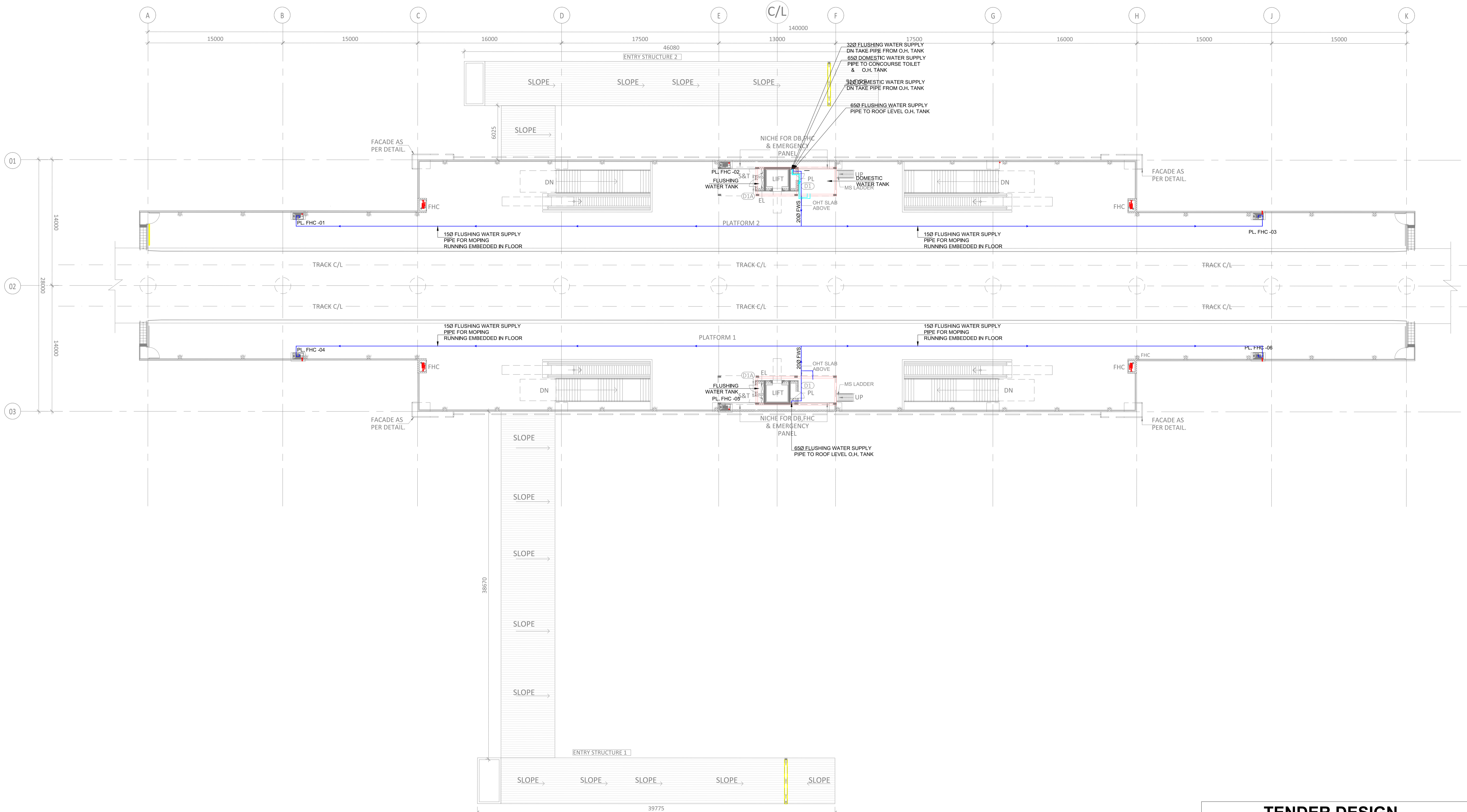
JUNPAT STATION
CONCOURSE LEVEL PLAN - WATER SUPPLY LAYOUT



HL	RK	SJ	NG
27-03-2026	R0	1:200	TED
NGNE-JUN-TED-PLB-13002		01 OF 01	A-1

PLUMBING

Junpat Village
CH : 29447.969m



TENDER DESIGN

NOIDA METRO RAIL CORPORATION LTD.
Block-III, 3rd Floor, Ganga Shopping Complex, Sector-29, Noida -201301,
District Gautam Budh Nagar, Uttar Pradesh, India

PROJECT: CONTRACT NO: NGNECC-01- Part Design & Construction of Elevated Viaduct and 10 nos. of Elevated Stations for Extension Projects of NMR's Aqua Line from Botanical Garden to Noida Sec-142 (from Chainage (-) 383.959 to 12130.143) and from Depot Station to Boraki MMTH (Chainage 28678.253 to 31263.482)

STATION: JUNPAT STATION
DRAWING TITLE: PLATFORM LEVEL PLAN-WATER SUPPLY LAYOUT

NORTH	DRAWN BY: HL	CHECKED BY: RK	VERIFIED BY: SJ	APPROVED BY: NG
	DATE: 27-03-2026	REV: RO	SCALE: 1:200	STATUS: TED
ORDER N°	DRAWING NUMBER: NGNE-JUN-TED-PLB-14002	SHEET NO. 01 OF 01	SHEET SIZE A-1	

This drawing must not be either loaned, copied or otherwise reproduced in whole or in part or used for any purpose without the prior written permission of NMRC.

GENERAL NOTES:

- ALL DIMENSIONS ARE IN MILLIMETER UNLESS MENTIONED.
- ALL DIMENSIONS ARE TO BE READ AND NOT MEASURED.
- ANY DISCREPANCY MUST BE BROUGHT TO THE NOTICE OF THE DMRC BEFORE EXECUTION OF WORK AT SITE.
- THIS DRAWING MUST BE READ IN CONJUNCTION WITH ALL RELEVANT ARCHITECTURAL, STRUCTURAL, PLUMBING & FIRE FIGHTING, ELECTRICAL AND TRAFFIC MANAGEMENT DRAWINGS.

REVISION	DESCRIPTION	DRAWING NO.

REV.	DESCRIPTION	DATE	DRAWN BY	CHECKED BY
R0	ISSUED FIRST SUBMISSION OF TENDER DRAWINGS	27-03-2026	HL	RK

APPROVAL OF NMRC OFFICIALS				

Certified that this document has been designed and checked in accordance with DDC Quality Assurance Plan.

Authorised Signatory for DDC.
NGNEDDC Project Manager

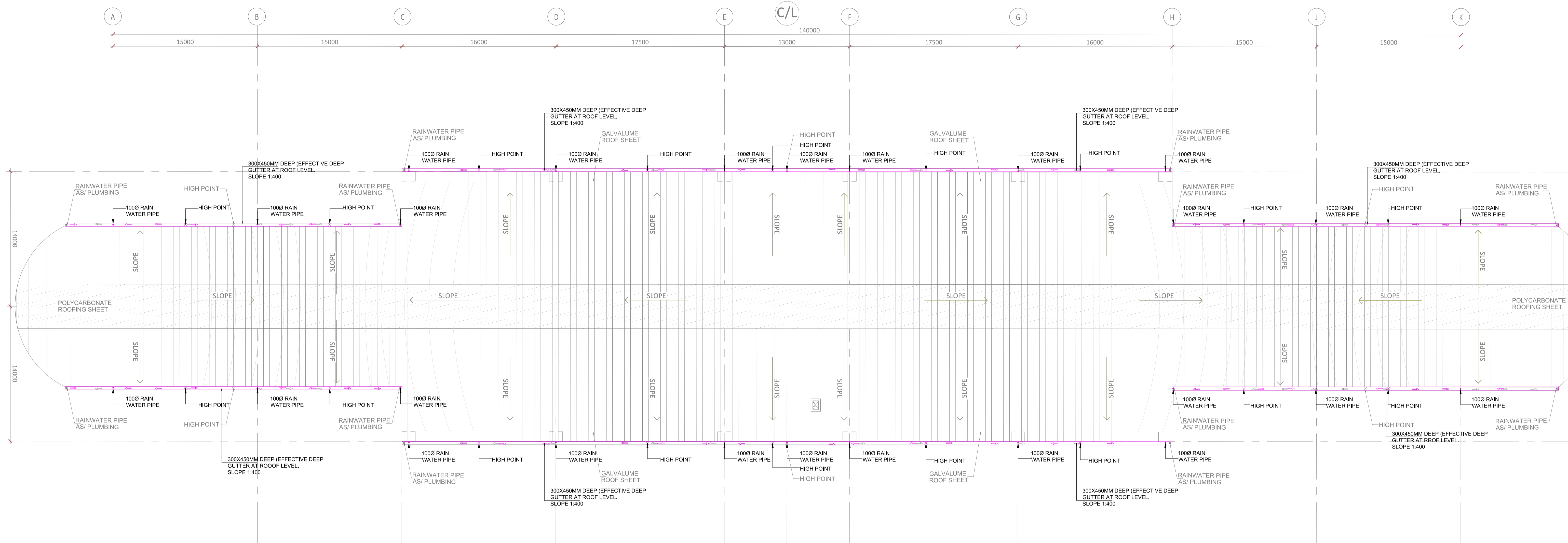
Architecture Design In-charge/ Coordinator	Structure Design In-charge/ Coordinator	E&M Design In-charge/ Coordinator
---	--	--------------------------------------

DETAIL DESIGN CONSULTANT :

ayesa
Ayesa India Private Limited
D 99, 3rd Floor, Sector 2, Noida -201301, Gautam
Budh Nagar, Uttar Pradesh
Tel.: +(91) 120 490 8800, Email: delhi@ayesa.com

THIS DRAWING IS THE PROPERTY OF NOIDA METRO RAIL CORPORATION LTD.

Junpat Village
CH : 29447.969m



GENERAL NOTES:

- ALL DIMENSIONS ARE IN MILLIMETER UNLESS MENTIONED.
- ALL DIMENSIONS ARE TO BE READ AND NOT MEASURED.
- ANY DISCREPANCY MUST BE BROUGHT TO THE NOTICE OF THE NMRC BEFORE EXECUTION OF WORK AT SITE.
- THIS DRAWING MUST BE READ IN CONJUNCTION WITH ALL RELEVANT ARCHITECTURAL, STRUCTURAL, PLUMBING & FIRE FIGHTING, ELECTRICAL AND TRAFFIC MANAGEMENT DRAWINGS.

REVISION	DESCRIPTION	DRAWING NO.

REV.	DESCRIPTION	DATE	DRAWN BY	CHECKED BY
R0	ISSUED FIRST SUBMISSION OF TENDER DRAWINGS	27-03-2026	HL	RK

APPROVAL OF NMRC OFFICIALS				

Certified that this document has been designed and checked in accordance with DDC Quality Assurance Plan.

Architecture Design In-charge/ Coordinator
Structure Design In-charge/ Coordinator
E&M Design In-charge/ Coordinator

Authorised Signatory for DDC.
NGNEDDC Project Manager

DETAIL DESIGN CONSULTANT :

ayesa
Ayesa India Private Limited
D 99, 3rd Floor, Sector 2, Noida -201301, Gautam Budh Nagar, Uttar Pradesh
Tel.: +(91) 120 490 8800, Email: delhi@ayesa.com

TENDER DESIGN

NOIDA METRO RAIL CORPORATION LTD.
Block-III, 3rd Floor, Ganga Shopping Complex, Sector-29, Noida -201301, District Gautam Budh Nagar, Uttar Pradesh, India

PROJECT: CONTRACT NO: NGNECC-01- Part Design & Construction of Elevated Viaduct and 10 nos. of Elevated Stations for Extension Projects of NMRC's Aqua Line from Botanical Garden to Noida Sec-142 (from Chainage (-) 383.959 to 12130.143) and from Depot Station to Boraki MMTH (Chainage 28678.253 to 31263.482)

STATION: JUNPAT STATION

DRAWING TITLE: ROOF LEVEL PLAN-DRAINAGE LAYOUT

NORTH	DRAWN BY: HL	CHECKED BY: RK	VERIFIED BY: SJ	APPROVED BY: NG
	DATE: 27-03-2026	REV: R0	SCALE: 1:200	STATUS: TED
ORDER N°	DRAWING NUMBER: NGNE-JUN-TED-PLB-15001	SHEET NO. 01 OF 01	SHEET SIZE A-1	NGNEDDC PLUMBING

This drawing must not be either loaned, copied or otherwise reproduced in whole or in part or used for any purpose without the prior written permission of NMRC.