

LEGENDS:

SYMBOL	DESCRIPTION
⊙	FLOOR DRAIN
⊠	SEWER MANHOLE
⊞	DRAINAGE MANHOLE
⊞	CATCH BASIN

GENERAL NOTES:

- ALL DIMENSIONS ARE IN MILLIMETER UNLESS MENTIONED.
- ALL DIMENSIONS ARE TO BE READ AND NOT MEASURED.
- ANY DISCREPANCY MUST BE BROUGHT TO THE NOTICE OF THE DMRC BEFORE EXECUTION OF WORK AT SITE.
- THIS DRAWING MUST BE READ IN CONJUNCTION WITH ALL RELEVANT ARCHITECTURAL, STRUCTURAL, PLUMBING & FIRE FIGHTING, ELECTRICAL AND TRAFFIC MANAGEMENT DRAWINGS.

REVISION	DESCRIPTION	DRAWING NO.

REV.	DESCRIPTION	DATE	DRAWN BY	CHECKED BY
R0	ISSUED FIRST SUBMISSION OF TENDER DRAWINGS	27-03-2026	HL	RK

APPROVAL OF NMRC OFFICIALS

Certified that this document has been designed and checked in accordance with DDC Quality Assurance Plan.

Architecture Design In-charge/ Coordinator Structure Design In-charge/ Coordinator E&M Design In-charge/ Coordinator

Authorised Signatory for DDC, NGNEDDC Project Manager

DETAIL DESIGN CONSULTANT :

ayesa

Ayesa India Private Limited
D 99, 3rd Floor, Sector 2, Noida -201301, Gautam Budh Nagar, Uttar Pradesh
Tel.: +(91) 120 490 8800, Email: delhi@ayesa.com

TENDER DESIGN

NOIDA METRO RAIL CORPORATION LTD.
Block-III, 3rd Floor, Ganga Shopping Complex, Sector-29, Noida -201301, District Gautam Budh Nagar, Uttar Pradesh, India

PROJECT: CONTRACT NO: NGNECC-01- Part Design & Construction of Elevated Viaduct and 10 nos. of Elevated Stations for Extension Projects of NMRC's Aqua Line from Botanical Garden to Noida Sec-142 (from Chainage (+) 383.959 to 12130.143) and from Depot Station to Boraki MMTH (Chainage 28678.253 to 31263.482)

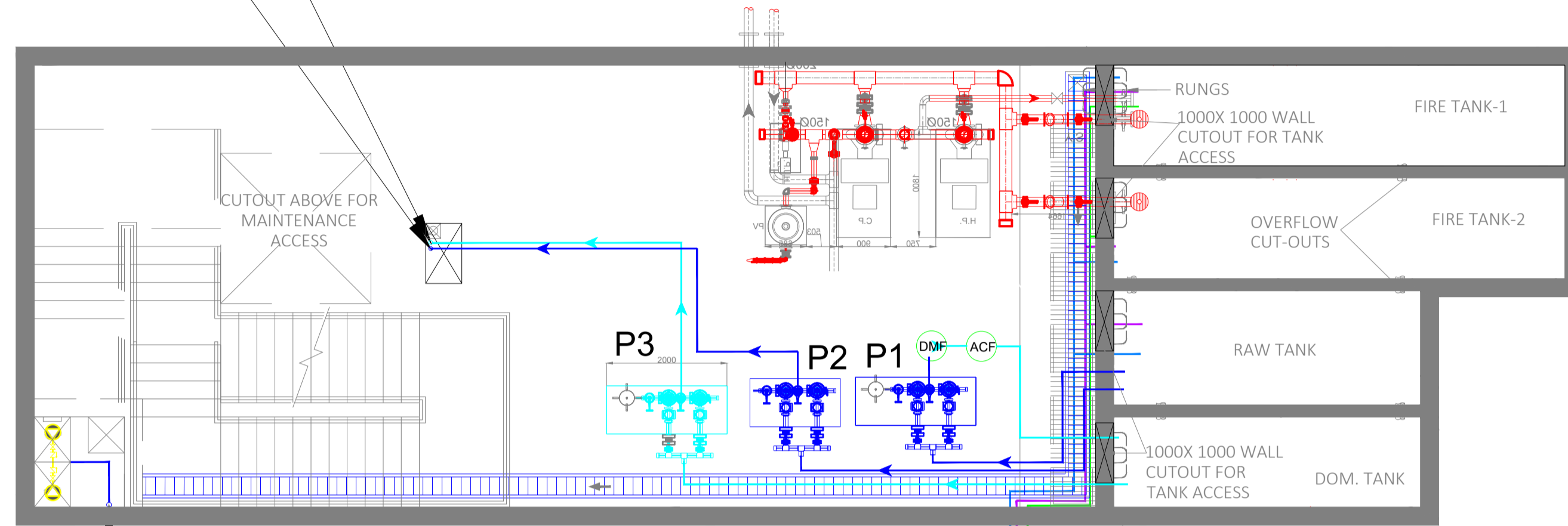
STATION: NOIDA SECTOR 105 STATION

DRAWING TITLE: GROUND FLOOR PLAN - DRAINAGE & WATER SUPPLY LAYOUT

NORTH	DRAWN BY: HL	CHECKED BY: RK	VERIFIED BY: SJ	APPROVED BY: NG
DATE: 27-03-2026	REV: R0	SCALE: 1:200	STATUS: TED	
ORDER N°	DRAWING NUMBER: NGNE-S105-TED-PLB-11001	SHEET NO. 01 OF 01	SHEET SIZE A-1	

This drawing must not be either loaned, copied or otherwise reproduced in whole or in part or used for any purpose without the prior written permission of NMRC.

500 DOMESTIC WATER SUPPLY PIPE TO CONCOURSE TOILET & O.H. TANK
 500 FLUSHING WATER SUPPLY PIPE TO ROOF LEVEL O.H. TANK



800 SUMP RISER PIPE TO EXTERNAL CATCH BASIN
 800 TANKER SUPPLY
 800 MUNICIPAL WATER SUPPLY
 800 BORE WELL WATER SUPPLY
WATER TANKS & PUMP ROOM AT BASEMENT LEVEL

LEGEND:

S.NO.	SYMBOL	DESCRIPTION
1		BUTTERFLY VALVE
2		NON RETURN VALVE
3		FLUSHING WATER SUPPLY LINE
4		DOMESTIC WATER SUPPLY LINE
5		DUAL MEDIA FILTER
6		ACTIVATE CARBON FILTER

SIZE OF FOUNDATION OF PUMPS		
ITEM	PUMPS	DRIVE
P1	RAW WATER FILTRATION PUMP	ELECTRIC
P2	RAW WATER TRANSFER PUMP	ELECTRIC
P3	DOMESTIC WATER TRANSFER PUMP	ELECTRIC

TENDER DESIGN

NOIDA METRO RAIL CORPORATION LTD.
 Block-III, 3rd Floor, Ganga Shopping Complex, Sector-29, Noida -201301, District Gautam Budh Nagar, Uttar Pradesh, India

PROJECT: CONTRACT NO: NGNECC-01- Part Design & Construction of Elevated Viaduct and 10 nos. of Elevated Stations for Extension Projects of NMRC's Aqua Line from Botanical Garden to Noida Sec-142 (from Chainage (-) 383.959 to 12130.143) and from Depot Station to Boraki MMTH (Chainage 28678.253 to 31263.482)

STATION: **NOIDA SECTOR 105 STATION**

DRAWING TITLE: **PUMP ROOM-PLUMBING LAYOUT**

NORTH	DRAWN BY: HL	CHECKED BY: RK	VERIFIED BY: SJ	APPROVED BY: NG
	DATE: 27-03-2026	REV: R0	SCALE: 1:75	STATUS: TED
ORDER N°	DRAWING NUMBER: NGNE-S105-TED-PLB-12001	SHEET NO. 01 OF 01	SHEET SIZE A-1	

NGNEDDC
PLUMBING

GENERAL NOTES:
 1. ALL DIMENSIONS ARE IN MILLIMETER UNLESS MENTIONED.
 2. ALL DIMENSIONS ARE TO BE READ AND NOT MEASURED.
 3. ANY DISCREPANCY MUST BE BROUGHT TO THE NOTICE OF THE NMRC BEFORE EXECUTION OF WORK AT SITE.
 4. THIS DRAWING MUST BE READ IN CONJUNCTION WITH ALL RELEVANT ARCHITECTURAL, STRUCTURAL, PLUMBING & FIRE FIGHTING, ELECTRICAL AND TRAFFIC MANAGEMENT DRAWINGS.

REVISION	DESCRIPTION	DRAWING NO.
R0	ISSUED FIRST SUBMISSION OF TENDER DRAWINGS	

REV.	DESCRIPTION	DATE	DRAWN BY	CHECKED BY
R0	ISSUED FIRST SUBMISSION OF TENDER DRAWINGS	27-03-2026	HL	RK

APPROVAL OF NMRC OFFICIALS				

Certified that this document has been designed and checked in accordance with DDC Quality Assurance Plan.

Authorised Signatory for DDC.
 NGNEDDC Project Manager

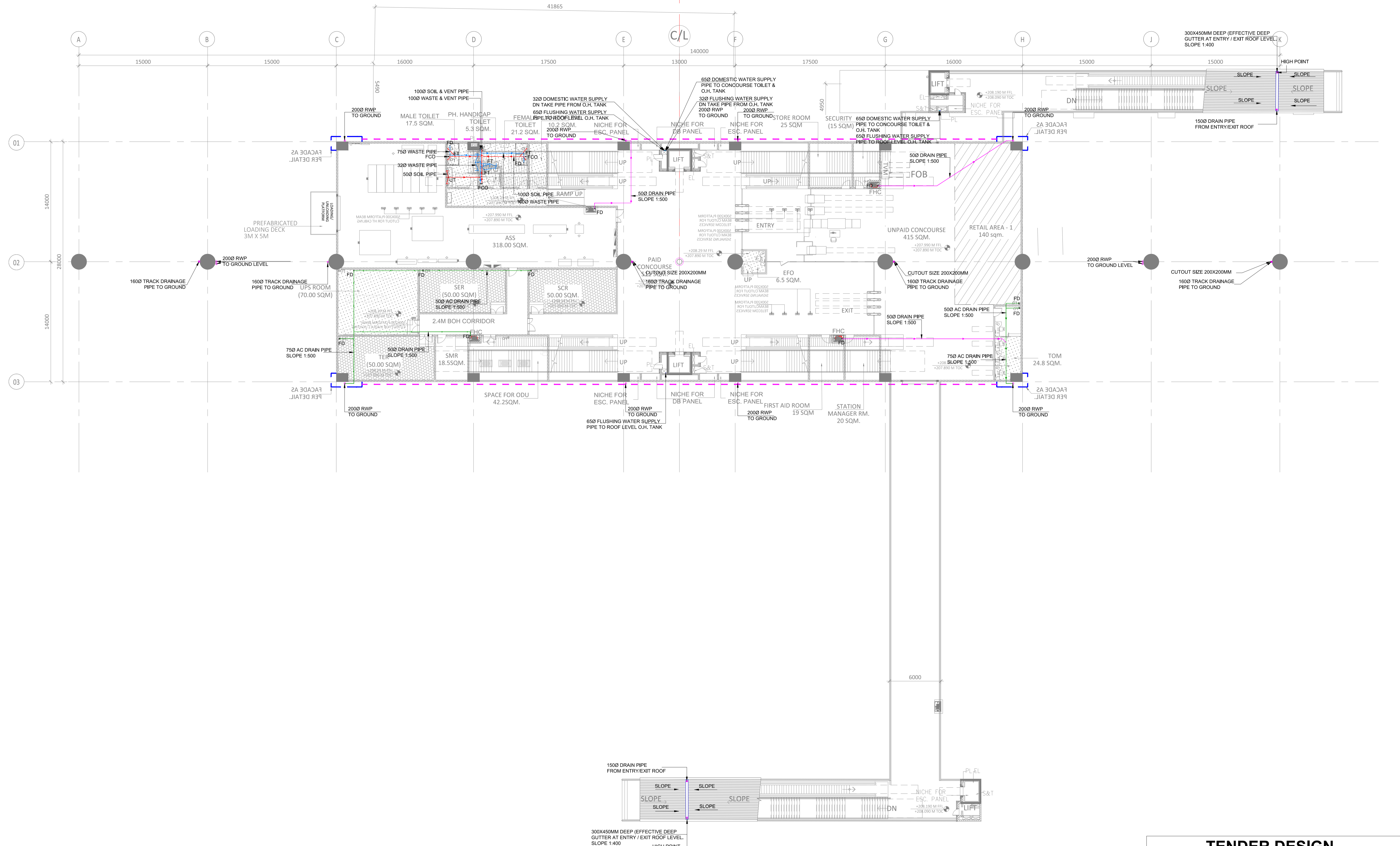
Architecture Design In-charge/ Coordinator	Structure Design In-charge/ Coordinator	E&M Design In-charge/ Coordinator
-----------------------------------------------	--------------------------------------------	--------------------------------------

DETAIL DESIGN CONSULTANT :

ayesa
 Ayesa India Private Limited
 D 99, 3rd Floor, Sector 2, Noida -201301, Gautam Budh Nagar, Uttar Pradesh
 Tel.: +(91) 120 490 8800, Email: delhi@ayesa.com

THIS DRAWING IS THE PROPERTY OF NIDA METRO RAIL CORPORATION LTD.

This drawing must not be either loaned, copied or otherwise reproduced in whole or in part or used for any purpose without the prior written permission of NMRC.



GENERAL NOTES

- ALL DIMENSIONS ARE IN MILLIMETER UNLESS MENTIONED.
- ALL DIMENSIONS ARE TO BE READ AND NOT MEASURED.
- ANY DISCREPANCY MUST BE BROUGHT TO THE NOTICE OF THE DMRC BEFORE EXECUTION OF WORK AT SITE.
- THIS DRAWING MUST BE READ IN CONJUNCTION WITH ALL RELEVANT ARCHITECTURAL, STRUCTURAL, PLUMBING & FIRE FIGHTING, ELECTRICAL AND TRAFFIC MANAGEMENT DRAWINGS.

REVISION	DESCRIPTION	DRAWING NO.

REV.	DESCRIPTION	DATE	DRAWN BY	CHECKED BY
R0	ISSUED FIRST SUBMISSION OF TENDER DRAWINGS	27-03-2026	HL	RK

APPROVAL OF NMRC OFFICIALS

Certified that this document has been designed and checked in accordance with DDC Quality Assurance Plan.

Architecture Design In-charge/ Coordinator: _____
 Structure Design In-charge/ Coordinator: _____
 E&M Design In-charge/ Coordinator: _____

Authorised Signatory for DDC, NGNEDDC Project Manager

DETAIL DESIGN CONSULTANT : **ayesa**
 Ayesa India Private Limited
 D 99, 3rd Floor, Sector 2, Noida -201301, Gautam Budh Nagar, Uttar Pradesh
 Tel.: +(91) 120 490 8800, Email: delhi@ayesa.com

TENDER DESIGN

NOIDA METRO RAIL CORPORATION LTD.
 Block-III, 3rd Floor, Ganga Shopping Complex, Sector-29, Noida -201301, District Gautam Budh Nagar, Uttar Pradesh, India

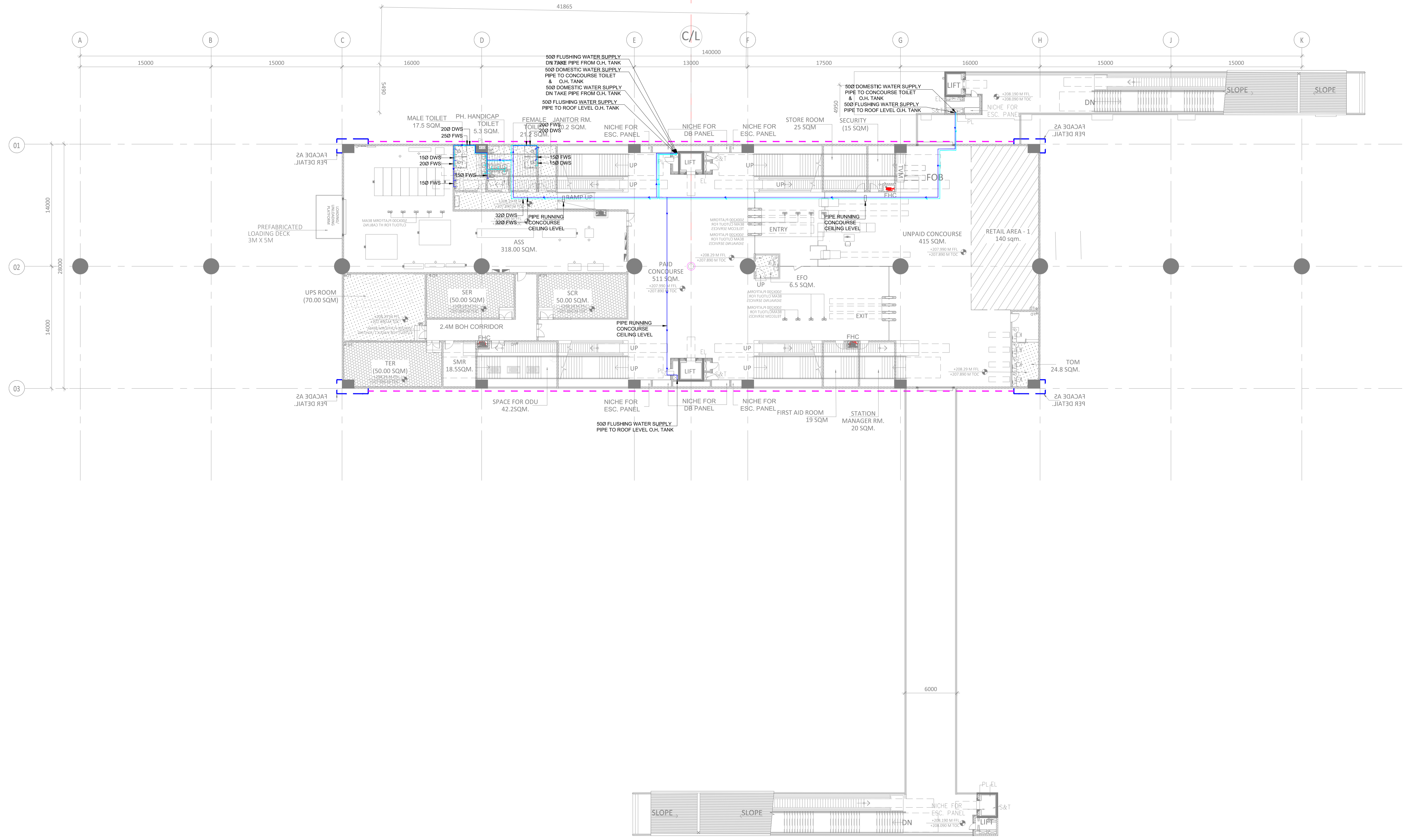
PROJECT: CONTRACT NO: NGNECC-01- Part Design & Construction of Elevated Viaduct and 10 nos. of Elevated Stations for Extension Projects of NMRC's Aqua Line from Botanical Garden to Noida Sec-142 (from Chainage (+) 383.959 to 12130.143) and from Depot Station to Boraki MMTH (Chainage 28678.253 to 31263.482)

STATION: NOIDA SECTOR 105 STATION

DRAWING TITLE: CONCOURSE LEVEL PLAN -DRAINAGE LAYOUT

NORTH	DRAWN BY: HL	CHECKED BY: RK	VERIFIED BY: SJ	APPROVED BY: NG
	DATE: 27-03-2026	REV: R0	SCALE: 1:200	STATUS: TED
ORDER N°	DRAWING NUMBER: NGNE-S105-TED-PLB-13001	SHEET NO: 01 OF 01	SHEET SIZE: A-1	

This drawing must not be either loaned, copied or otherwise reproduced in whole or in part or used for any purpose without the prior written permission of NMRC.



GENERAL NOTES

- ALL DIMENSIONS ARE IN MILLIMETER UNLESS MENTIONED.
- ALL DIMENSIONS ARE TO BE READ AND NOT MEASURED.
- ANY DISCREPANCY MUST BE BROUGHT TO THE NOTICE OF THE DMRC BEFORE EXECUTION OF WORK AT SITE.
- THIS DRAWING MUST BE READ IN CONJUNCTION WITH ALL RELEVANT ARCHITECTURAL, STRUCTURAL, PLUMBING & FIRE FIGHTING, ELECTRICAL AND TRAFFIC MANAGEMENT DRAWINGS.

REVISION	DESCRIPTION	DRAWING NO.

REV.	DESCRIPTION	DATE	DRAWN BY	CHECKED BY
R0	ISSUED FIRST SUBMISSION OF TENDER DRAWINGS	27-03-2026	HL	RK

APPROVAL OF NMRC OFFICIALS

Certified that this document has been designed and checked in accordance with DDC Quality Assurance Plan.

Authorised Signatory for DDC:
 NGNEDDC Project Manager

Architecture Design In-charge/ Coordinator Structure Design In-charge/ Coordinator E&M Design In-charge/ Coordinator

DETAIL DESIGN CONSULTANT :

ayesa
 Ayesa India Private Limited
 D 99, 3rd Floor, Sector 2, Noida -201301, Gautam Budh Nagar, Uttar Pradesh
 Tel.: +(91) 120 490 8800, Email: delhi@ayesa.com

TENDER DESIGN

NOIDA METRO RAIL CORPORATION LTD.
 Block-III, 3rd Floor, Ganga Shopping Complex, Sector-29, Noida -201301, District Gautam Budh Nagar, Uttar Pradesh, India

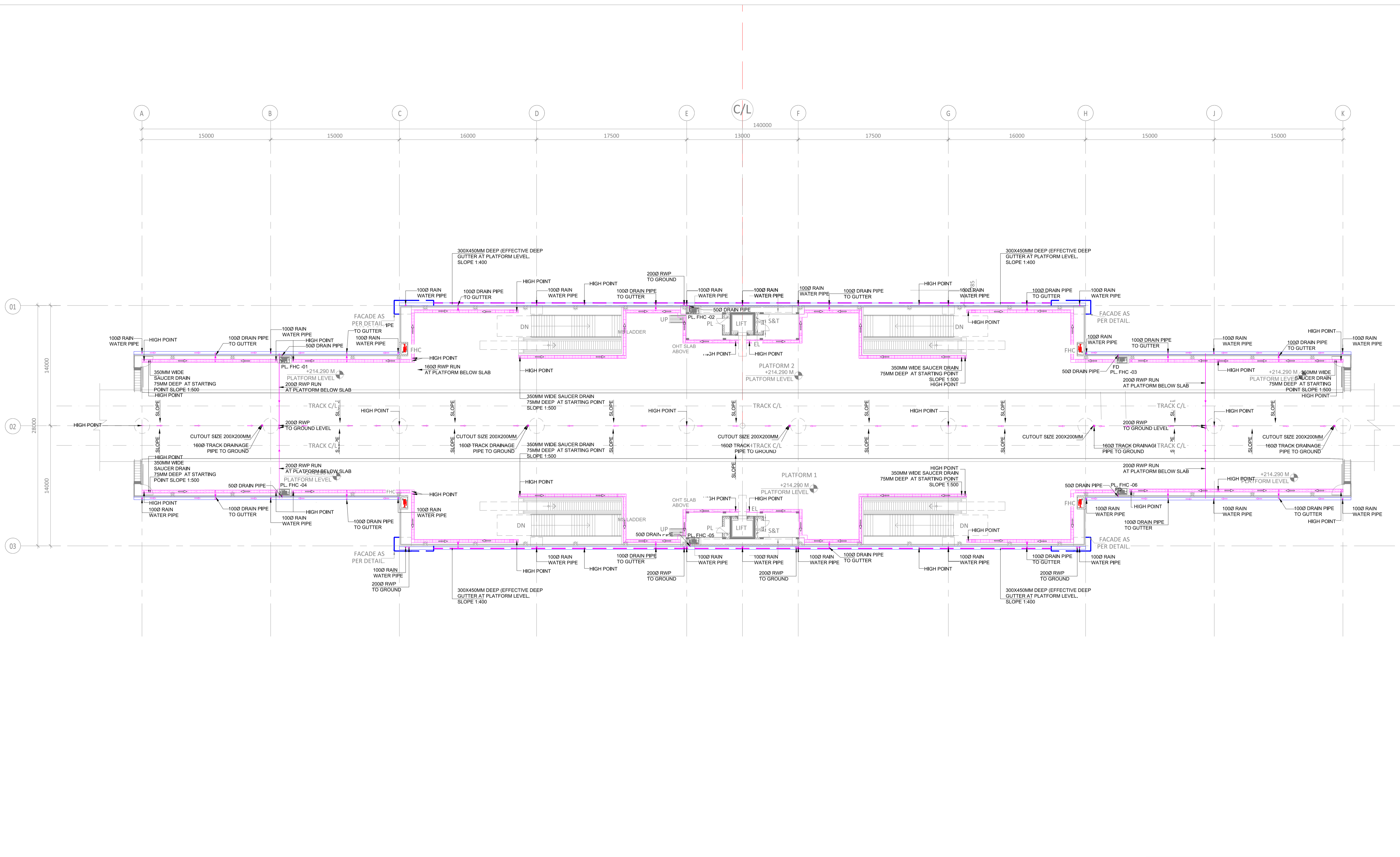
PROJECT: CONTRACT NO: NGNECC-01- Part Design & Construction of Elevated Viaduct and 10 nos. of Elevated Stations for Extension Projects of NMRC's Aqua Line from Botanical Garden to Noida Sec-142 (from Chainage (-) 383.959 to 12130.143) and from Depot Station to Boraki MMTH (Chainage 28678.253 to 31263.482)

STATION: NOIDA SECTOR 105 STATION

DRAWING TITLE: CONCOURSE LEVEL PLAN -WATER SUPPLY LAYOUT

NORTH	DRAWN BY: HL	CHECKED BY: RK	VERIFIED BY: SJ	APPROVED BY: NG
	DATE: 27-03-2026	REV: R0	SCALE: 1:200	STATUS: TED
ORDER N°	DRAWING NUMBER: NGNE-S105-TED-PLB-13002	SHEET NO. 01 OF 01	SHEET SIZE A-1	

This drawing must not be either loaned, copied or otherwise reproduced in whole or in part or used for any purpose without the prior written permission of NMRC.



GENERAL NOTES

- ALL DIMENSIONS ARE IN MILLIMETER UNLESS MENTIONED.
- ALL DIMENSIONS ARE TO BE READ AND NOT MEASURED.
- ANY DISCREPANCY MUST BE BROUGHT TO THE NOTICE OF THE DMRC BEFORE EXECUTION OF WORK AT SITE.
- THIS DRAWING MUST BE READ IN CONJUNCTION WITH ALL RELEVANT ARCHITECTURAL, STRUCTURAL, PLUMBING & FIRE FIGHTING, ELECTRICAL AND TRAFFIC MANAGEMENT DRAWINGS.

REVISION	REFERENCE DRAWINGS	DRAWING NO.

REV.	DESCRIPTION	DATE	DRAWN BY	CHECKED BY
R0	ISSUED FIRST SUBMISSION OF TENDER DRAWINGS	27-03-2026	HL	RK

APPROVAL OF NMRC OFFICIALS

--	--	--	--	--	--	--	--	--	--	--	--

Certified that this document has been designed and checked in accordance with DDC Quality Assurance Plan.

Architecture Design In-charge/ Coordinator: _____
 Structure Design In-charge/ Coordinator: _____
 E&M Design In-charge/ Coordinator: _____

Authorised Signatory for DDC: _____
 NGNEDDC Project Manager

DETAIL DESIGN CONSULTANT : **ayesa**
 Ayesa India Private Limited
 D 99, 3rd Floor, Sector 2, Noida -201301, Gautam Budh Nagar, Uttar Pradesh
 Tel.: +(91) 120 490 8800, Email: delhi@ayesa.com

TENDER DESIGN

NOIDA METRO RAIL CORPORATION LTD.
 Block-III, 3rd Floor, Ganga Shopping Complex, Sector-29, Noida -201301, District Gautam Budh Nagar, Uttar Pradesh, India

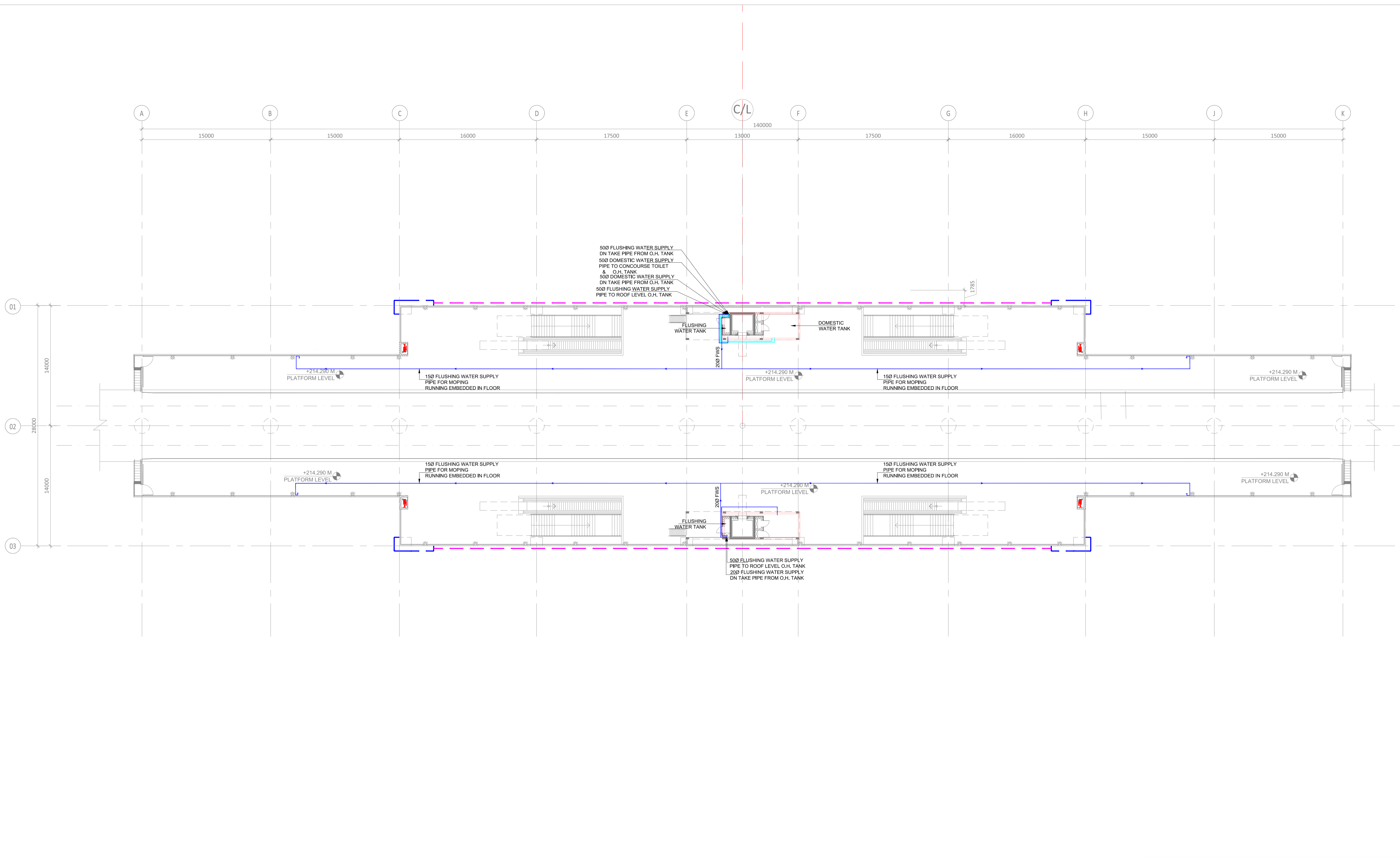
PROJECT: CONTRACT NO: NGNECC-01- Part Design & Construction of Elevated Viaduct and 10 nos. of Elevated Stations for Extension Projects of NMRC's Aqua Line from Botanical Garden to Noida Sec-142 (from Chainage (-) 383.959 to 12130.143) and from Depot Station to Boraki MMTH (Chainage 28678.253 to 31263.482)

STATION: NOIDA SECTOR 105 STATION

DRAWING TITLE: PLATFORM LEVEL PLAN-DRAINAGE LAYOUT

NORTH	DRAWN BY: HL	CHECKED BY: RK	VERIFIED BY: SJ	APPROVED BY: NG
	DATE: 27-03-2026	REV: R0	SCALE: 1:200	STATUS: TED
ORDER N°	DRAWING NUMBER: NGNE-S105-TED-PLB-14001	SHEET NO. 01 OF 01	SHEET SIZE A-1	

This drawing must not be either loaned, copied or otherwise reproduced in whole or in part or used for any purpose without the prior written permission of NMRC.



TENDER DESIGN

NOIDA METRO RAIL CORPORATION LTD.
 Block-III, 3rd Floor, Ganga Shopping Complex, Sector-29, Noida -201301,
 District Gautam Budh Nagar, Uttar Pradesh, India

PROJECT: CONTRACT NO: NGNECC-01- Part Design & Construction of Elevated Viaduct and 10 nos. of Elevated Stations for Extension Projects of NMRC's Aqua Line from Botanical Garden to Noida Sec-142 (from Chainage (-) 383.959 to 12130.143) and from Depot Station to Boraki MMTH (Chainage 28678.253 to 31263.482)

STATION: NOIDA SECTOR 105 STATION
 DRAWING TITLE: PLATFORM LEVEL PLAN-WATER SUPPLY LAYOUT

NORTH	DRAWN BY: HL	CHECKED BY: RK	VERIFIED BY: SJ	APPROVED BY: NG
	DATE: 27-03-2026	REV: R0	SCALE: 1:200	STATUS: TED
ORDER N°	DRAWING NUMBER: NGNE-S105-TED-PLB-14002	SHEET NO. 01 OF 01	SHEET SIZE A-1	

This drawing must not be either loaned, copied or otherwise reproduced in whole or in part or used for any purpose without the prior written permission of NMRC.

GENERAL NOTES:

- ALL DIMENSIONS ARE IN MILLIMETER UNLESS MENTIONED.
- ALL DIMENSIONS ARE TO BE READ AND NOT MEASURED.
- ANY DISCREPANCY MUST BE BROUGHT TO THE NOTICE OF THE DMRC BEFORE EXECUTION OF WORK AT SITE.
- THIS DRAWING MUST BE READ IN CONJUNCTION WITH ALL RELEVANT ARCHITECTURAL, STRUCTURAL, PLUMBING & FIRE FIGHTING, ELECTRICAL AND TRAFFIC MANAGEMENT DRAWINGS.

REVISION	DESCRIPTION	DRAWING NO.

REVISIONS				
REV.	DESCRIPTION	DATE	DRAWN BY	CHECKED BY
R0	ISSUED FIRST SUBMISSION OF TENDER DRAWINGS	27-03-2026	HL	RK

APPROVAL OF NMRC OFFICIALS				

Certified that this document has been designed and checked in accordance with DDC Quality Assurance Plan.

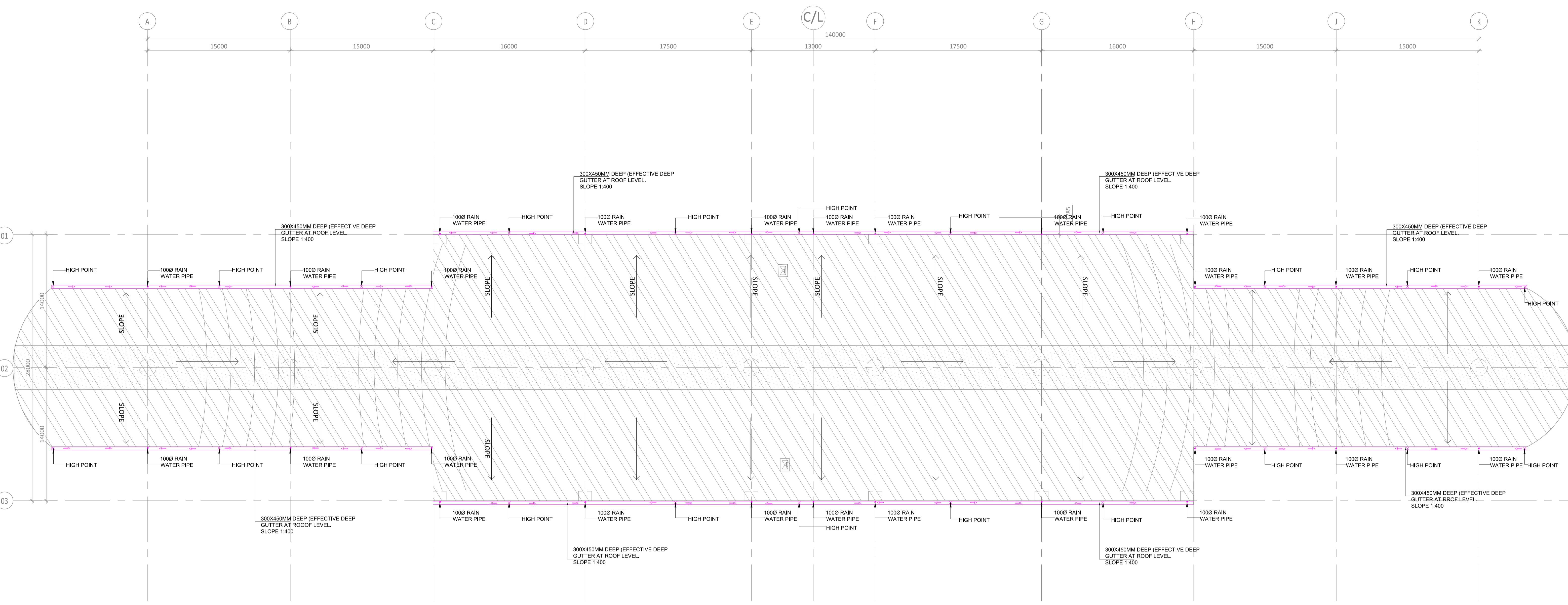
Architecture Design In-charge/ Coordinator
 Structure Design In-charge/ Coordinator
 E&M Design In-charge/ Coordinator

Authorised Signatory for DDC.
 NGNEDDC Project Manager

DETAIL DESIGN CONSULTANT :

ayesa
 Ayesa India Private Limited
 D 99, 3rd Floor, Sector 2, Noida -201301, Gautam Budh Nagar, Uttar Pradesh
 Tel.: +(91) 120 490 8800, Email: delhi@ayesa.com

THIS DRAWING IS THE PROPERTY OF NOIDA METRO RAIL CORPORATION LTD.



GENERAL NOTES

1. ALL DIMENSIONS ARE IN MILLIMETER UNLESS MENTIONED.
2. ALL DIMENSIONS ARE TO BE READ AND NOT MEASURED.
3. ANY DISCREPANCY MUST BE BROUGHT TO THE NOTICE OF THE DMRC BEFORE EXECUTION OF WORK AT SITE.
4. THIS DRAWING MUST BE READ IN CONJUNCTION WITH ALL RELEVANT ARCHITECTURAL, STRUCTURAL, PLUMBING & FIRE FIGHTING, ELECTRICAL AND TRAFFIC MANAGEMENT DRAWINGS.

REVISION	DESCRIPTION	DRAWING NO.

REVISIONS				
REV.	DESCRIPTION	DATE	DRAWN BY	CHECKED BY
R0	ISSUED FIRST SUBMISSION OF TENDER DRAWINGS	27-03-2026	HL	RK

APPROVAL OF NMRC OFFICIALS				
NO.	NAME	DESIGNATION	DATE	SIGNATURE

Certified that this document has been designed and checked in accordance with DDC Quality Assurance Plan.

Authorised Signatory for DDC.
NGNEDDC Project Manager

Architecture Design In-charge/ Coordinator	Structure Design In-charge/ Coordinator	E&M Design In-charge/ Coordinator
-----------------------------------------------	--------------------------------------------	--------------------------------------

DETAIL DESIGN CONSULTANT :

ayesa
Ayesa India Private Limited
D 99, 3rd Floor, Sector 2, Noida -201301, Gautam
Budh Nagar, Uttar Pradesh
Tel.: +(91) 120 490 8800, Email: delhi@ayesa.com

TENDER DESIGN

NOIDA METRO RAIL CORPORATION LTD.
Block-III, 3rd Floor, Ganga Shopping Complex, Sector-29, Noida -201301,
District Gautam Budh Nagar, Uttar Pradesh, India

PROJECT: CONTRACT NO: NGNECC-01- Part Design & Construction of Elevated Viaduct and 10 nos. of Elevated Stations for Extension Projects of NMRC's Aqua Line from Botanical Garden to Noida Sec-142 (from Chainage (-) 383.959 to 12130.143) and from Depot Station to Boraki MMTH (Chainage 28678.253 to 31263.482)

STATION: NOIDA SECTOR 105 STATION

DRAWING TITLE: ROOF LEVEL PLAN-DRAINAGE LAYOUT

NORTH	DRAWN BY: HL	CHECKED BY: RK	VERIFIED BY: SJ	APPROVED BY: NG
	DATE: 27-03-2026	REV: R0	SCALE: 1:200	STATUS: TED
ORDER N°	DRAWING NUMBER: NGNE-S105-TED-PLB-15001		SHEET NO. 01 OF 01	SHEET SIZE A-1

NGNEDDC
PLUMBING

This drawing must not be either loaned, copied or otherwise reproduced in whole or in part or used for any purpose without the prior written permission of NMRC.

LIST OF PLUMBING DRAWINGS

S.NO.	DRAWING NO.	DRAWING TITLE	SHEET	REV.
01	NGNE-S105-TED-PLB-10001	LIST OF PLUMBING DRAWINGS	1 OF 1	R0
02	NGNE-S105-TED-PLB-10002	TYPICAL DETAIL & SECTION -PLUMBING LAYOUT	1 OF 1	R0
03	NGNE-S105-TED-PLB-10003	TOILET DETAIL-PLUMBING LAYOUT	1 OF 1	R0
04	NGNE-S105-TED-PLB-10004	SCHEMATIC DIAGRAM FOR DRAINAGE SYSTEM	1 OF 1	R0
05	NGNE-S105-TED-PLB-10005	SCHEMATIC DIAGRAM FOR SEWAGE SYSTEM	1 OF 1	R0
06	NGNE-S105-TED-PLB-10006	SCHEMATIC DIAGRAM FOR WATER SUPPLY SYSTEM	1 OF 1	R0
07	NGNE-S105-TED-PLB-11001	GROUND FLOOR PLAN - DRAINAGE & WATER SUPPLY LAYOUT	1 OF 1	R0
08	NGNE-S105-TED-PLB-12001	PUMP ROOM - PLUMBING LAYOUT	1 OF 1	R0
09	NGNE-S105-TED-PLB-13001	CONCOURSE LEVEL PLAN -DRAINAGE LAYOUT	1 OF 1	R0
10	NGNE-S105-TED-PLB-13002	CONCOURSE LEVEL PLAN -WATER SUPPLY LAYOUT	1 OF 1	R0
11	NGNE-S105-TED-PLB-14001	PLATFORM LEVEL PLAN-DRAINAGE LAYOUT	1 OF 1	R0
12	NGNE-S105-TED-PLB-14002	PLATFORM LEVEL PLAN-WATER SUPPLY LAYOUT	1 OF 1	R0
13	NGNE-S105-TED-PLB-15001	ROOF LEVEL PLAN-DRAINAGE LAYOUT	1 OF 1	R0

TENDER DESIGN



NOIDA METRO RAIL CORPORATION LTD.
Block-III, 3rd Floor, Ganga Shopping Complex, Sector-29, Noida -201301,
District Gautam Budh Nagar, Uttar Pradesh, India

PROJECT: CONTRACT NO: NGNECC-01- Part Design & Construction of Elevated Viaduct and 10 nos. of Elevated Stations for Extension Projects of NMRC's Aqua Line from Botanical Garden to Noida Sec-142 (from Chainage (-) 383.959 to 12130.143) and from Depot Station to Boraki MMTH (Chainage 28678.253 to 31263.482)

STATION: NOIDA SECTOR 105 STATION

DRAWING TITLE: LIST OF PLUMBING DRAWINGS

NORTH	DRAWN BY: HL	CHECKED BY: RK	VERIFIED BY: SJ	APPROVED BY: NG
	DATE: 27-03-2026	REV: R0	SCALE: N.T.S.	STATUS: TED
ORDER N°	DRAWING NUMBER: NGNE-S105-TED-PLB-10001	SHEET NO. 01 OF 01	SHEET SIZE A-1	

This drawing must not be either loaned, copied or otherwise reproduced in whole or in part or used for any purpose without the prior written permission of NMRC.

THIS DRAWING IS THE PROPERTY OF
NOIDA METRO RAIL CORPORATION LTD.

GENERAL NOTES:
1. ALL DIMENSIONS ARE IN MILLIMETER UNLESS MENTIONED.
2. ALL DIMENSIONS ARE TO BE READ AND NOT MEASURED.
3. ANY DISCREPANCY MUST BE BROUGHT TO THE NOTICE OF THE DMRC BEFORE EXECUTION OF WORK AT SITE.
4. THIS DRAWING MUST BE READ IN CONJUNCTION WITH ALL RELEVANT ARCHITECTURAL, STRUCTURAL, PLUMBING & FIRE FIGHTING, ELECTRICAL AND TRAFFIC MANAGEMENT DRAWINGS.

REVISIONS

REV.	DESCRIPTION	DATE	DRAWN BY	CHECKED BY
R0	ISSUED FIRST SUBMISSION OF TENDER DRAWINGS	27-03-2026	HL	RK

APPROVAL OF NMRC OFFICIALS

--	--	--	--	--	--	--	--	--	--

Certified that this document has been designed and checked in accordance with DDC Quality Assurance Plan.

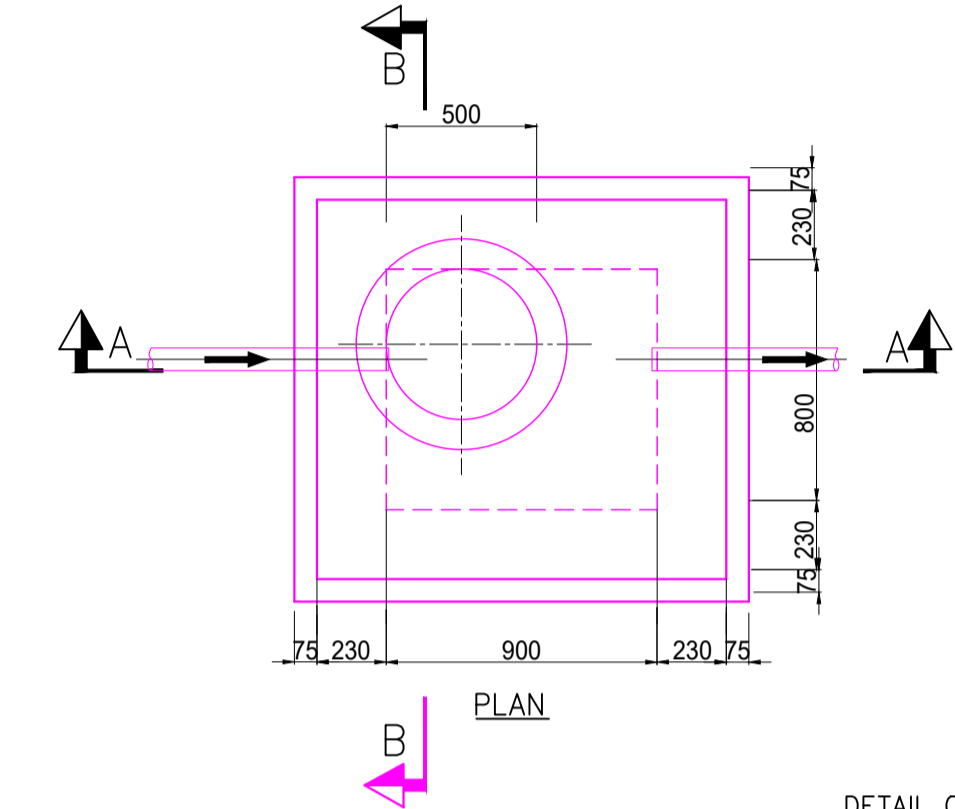
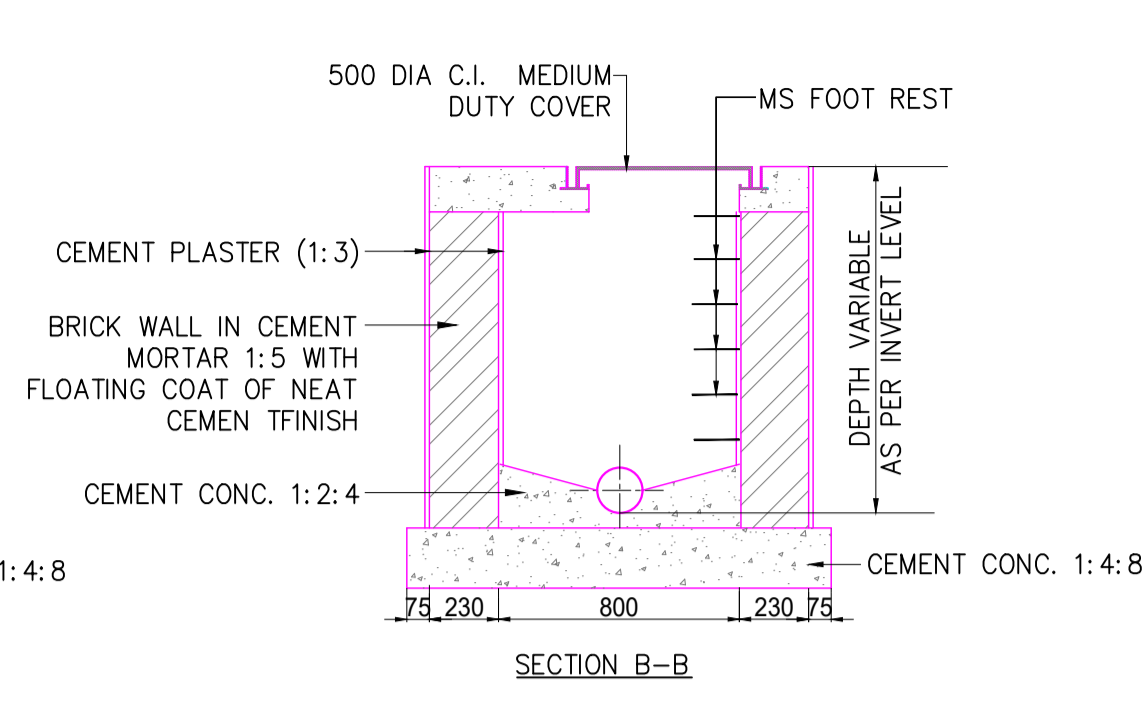
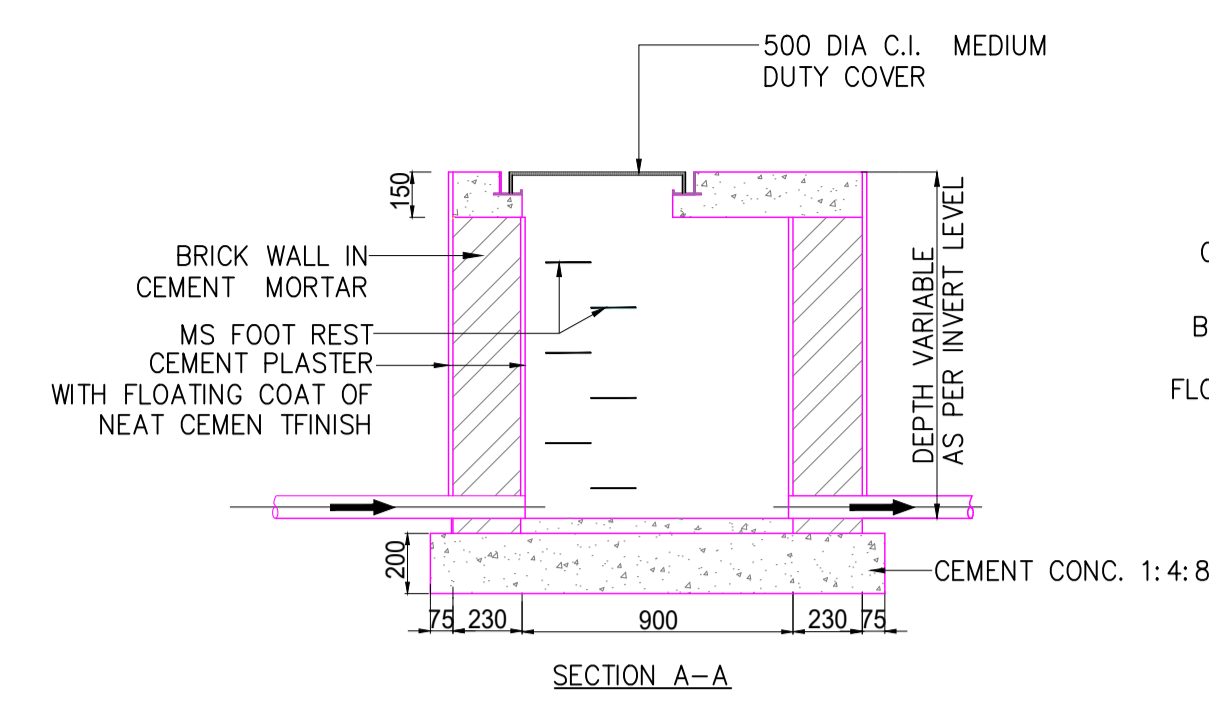
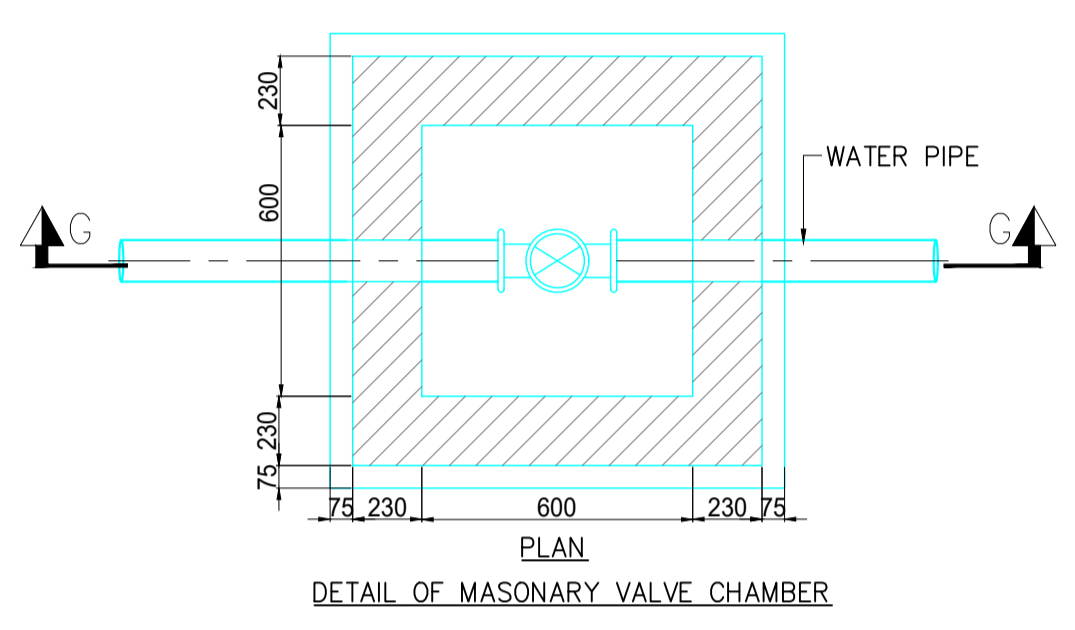
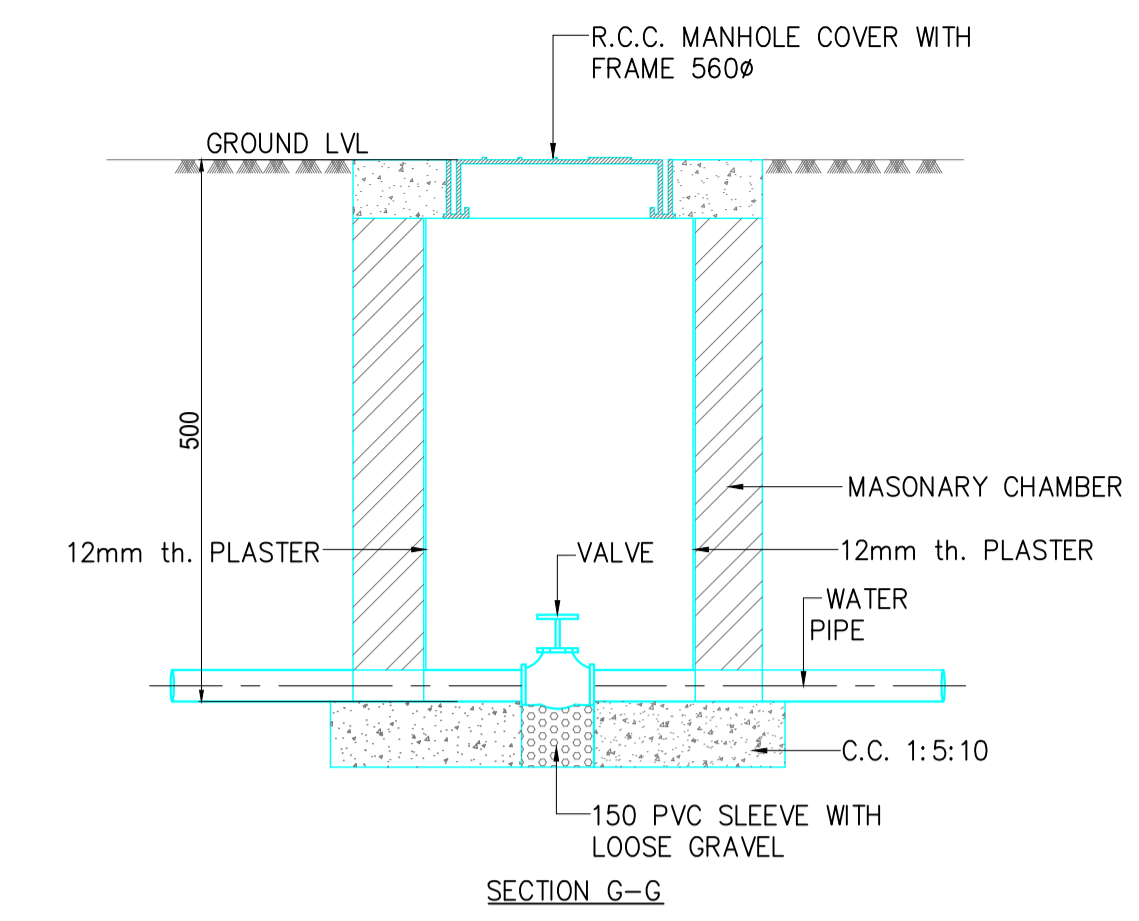
Authorised Signatory for DDC.
NGNEDDC Project Manager

Architecture Design In-charge/ Coordinator
Structure Design In-charge/ Coordinator
E&M Design In-charge/ Coordinator

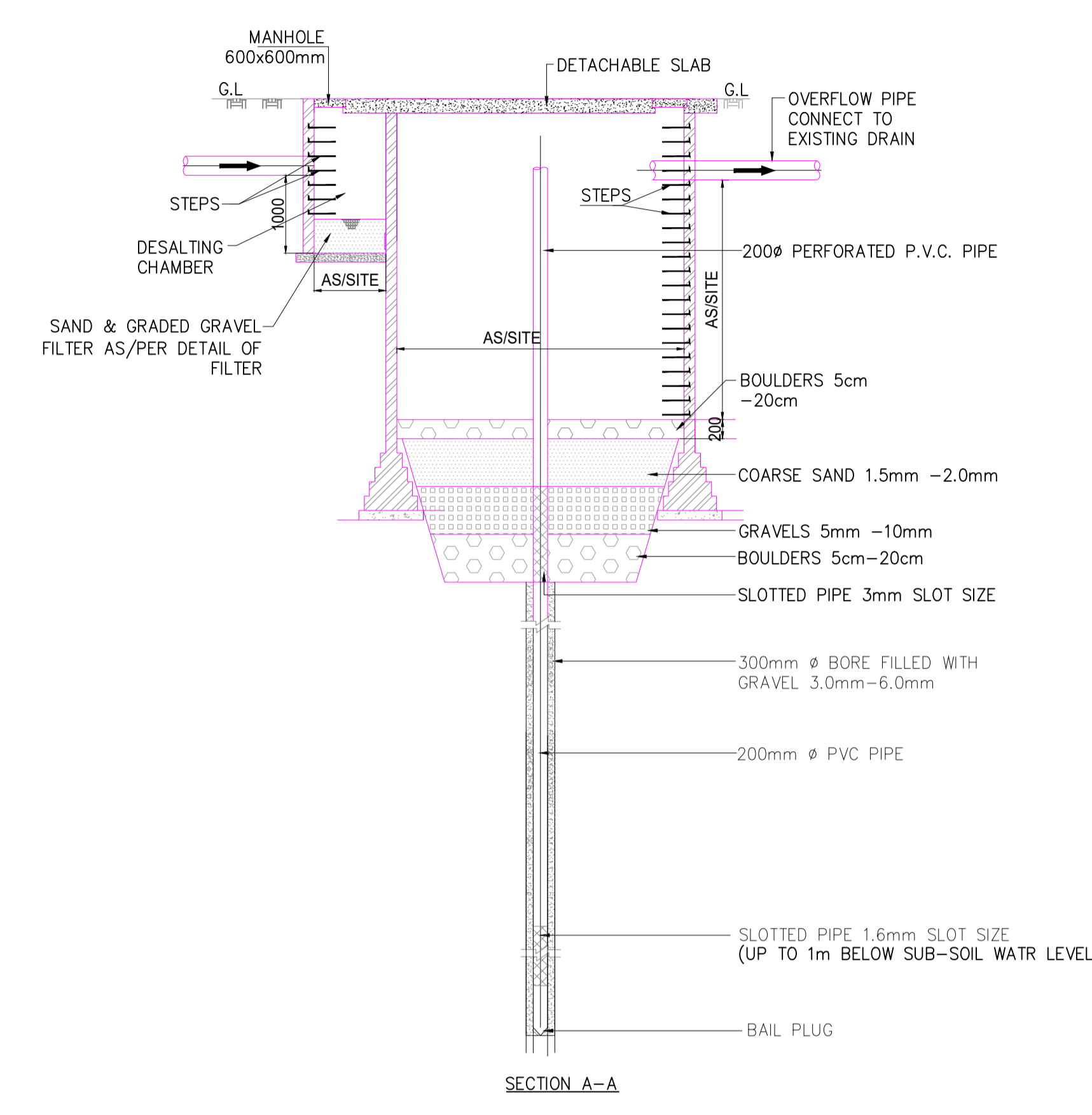
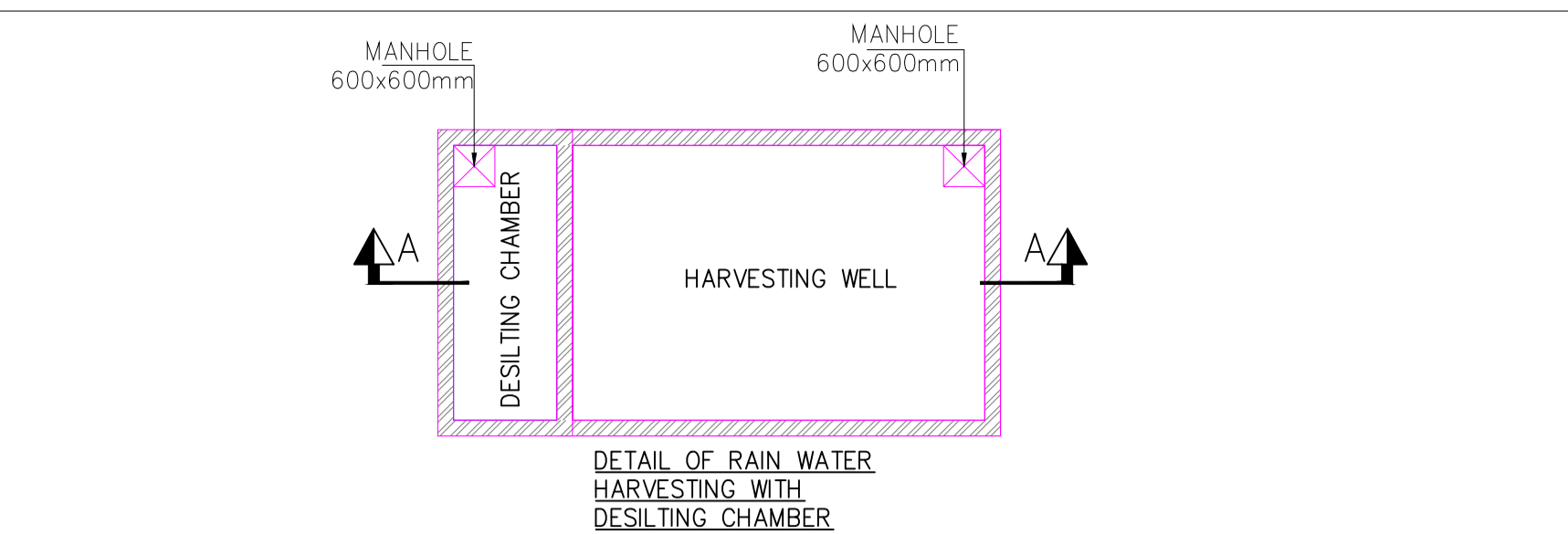
DETAIL DESIGN CONSULTANT :



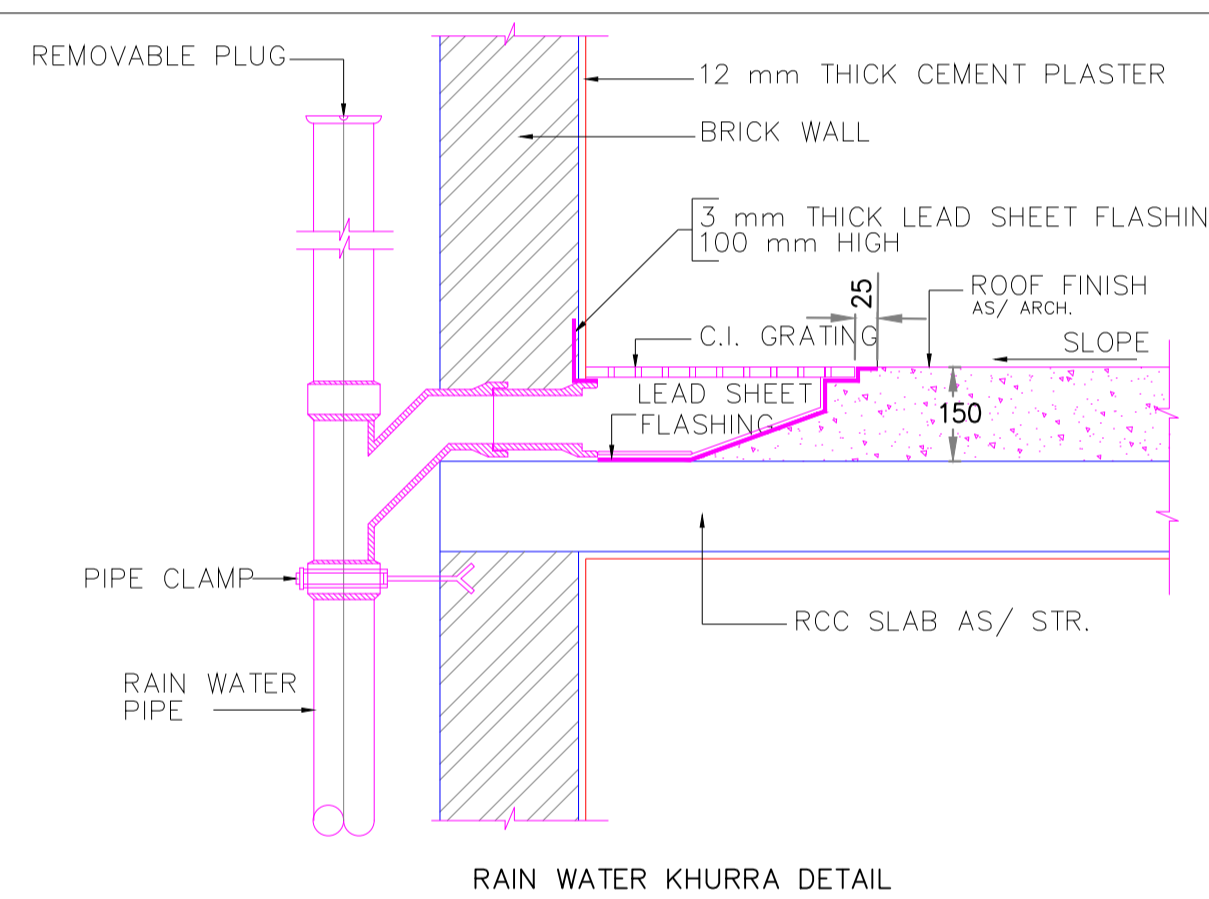
Ayesa India Private Limited
D 99, 3rd Floor, Sector 2, Noida -201301, Gautam
Budh Nagar, Uttar Pradesh
Tel.: +(91) 120 490 8800, Email: delhi@ayesa.com



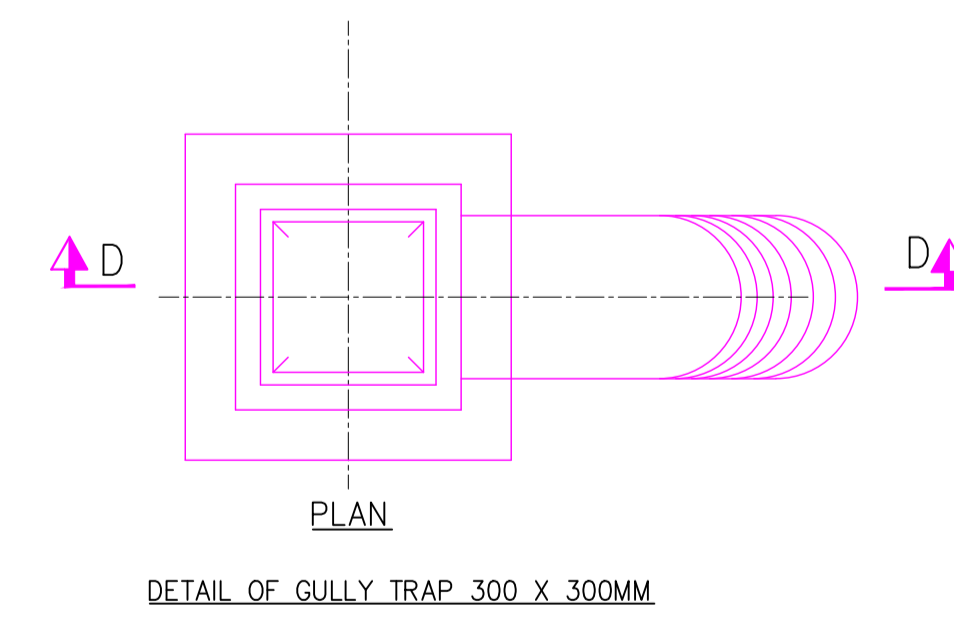
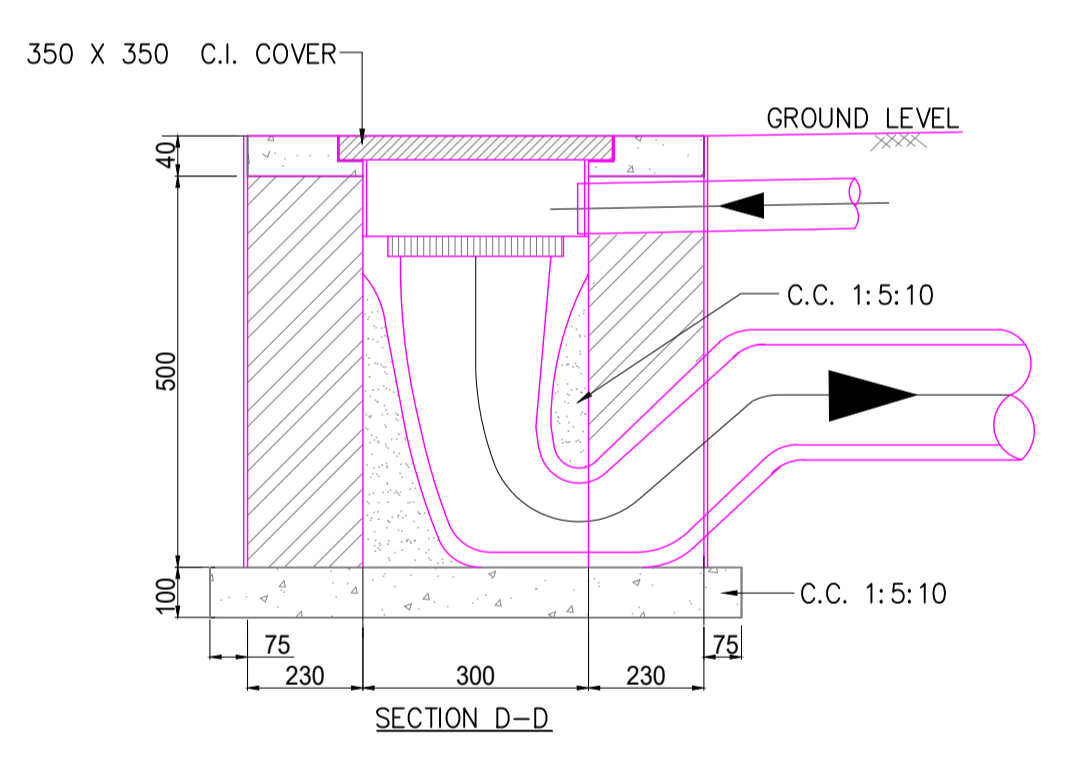
DETAIL OF RECTANGULAR MANHOLE 900 X 800MM



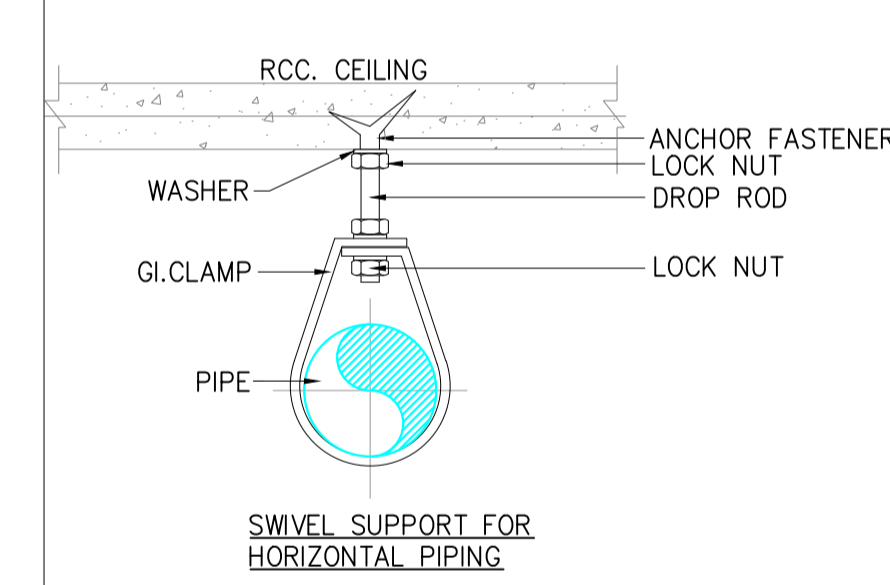
SECTION A-A



- NOTES**
1. ALL DIMENSIONS ARE IN MM. UNLESS OTHERWISE SPECIFIED
 2. PROPER CEMENT CONCRETE CHANNEL AND TRENCHING ARE TO BE PROVIDED RELEVANT SMOOTH WITH FLOATING COAT OF NEAT CEMENT FINISH.
 3. TOP OF MANHOLES, CATCH BASINS ARE TO BE PLACED IN CONJUNCTION WITH ADJACENT FINISHED LEVEL AS APPLICABLE.

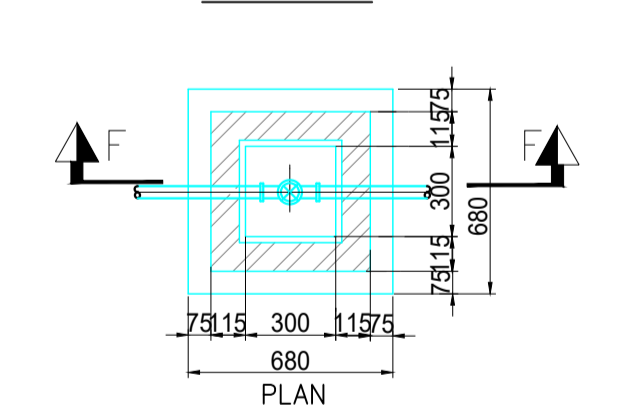
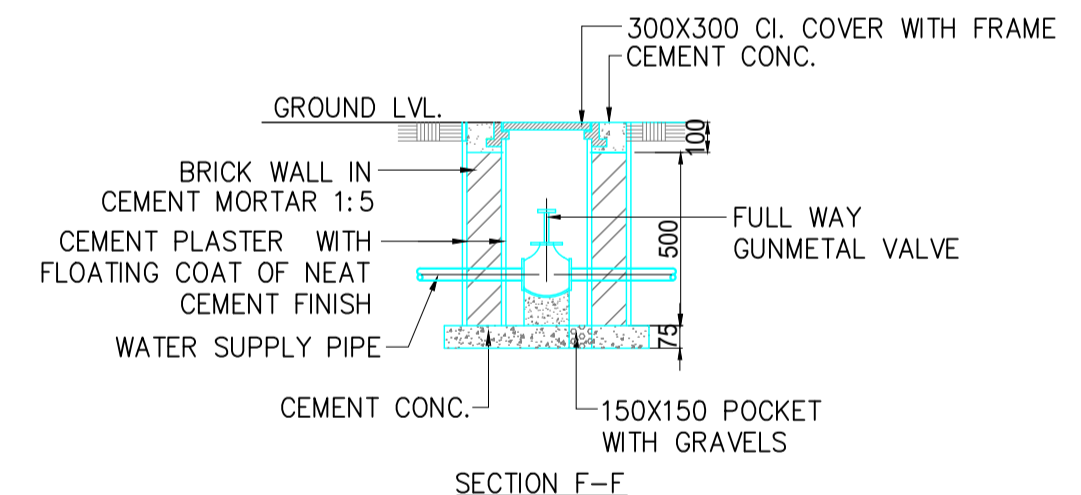
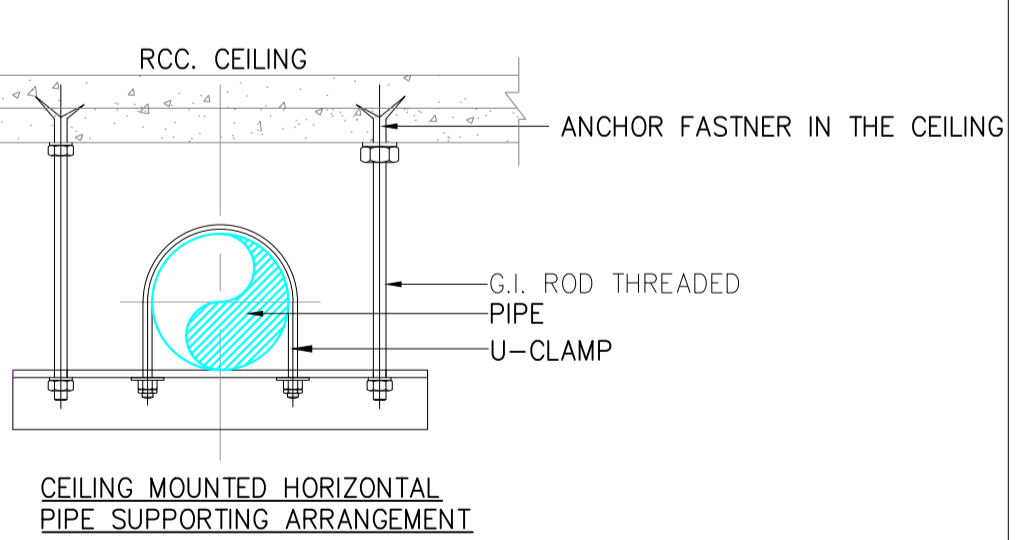
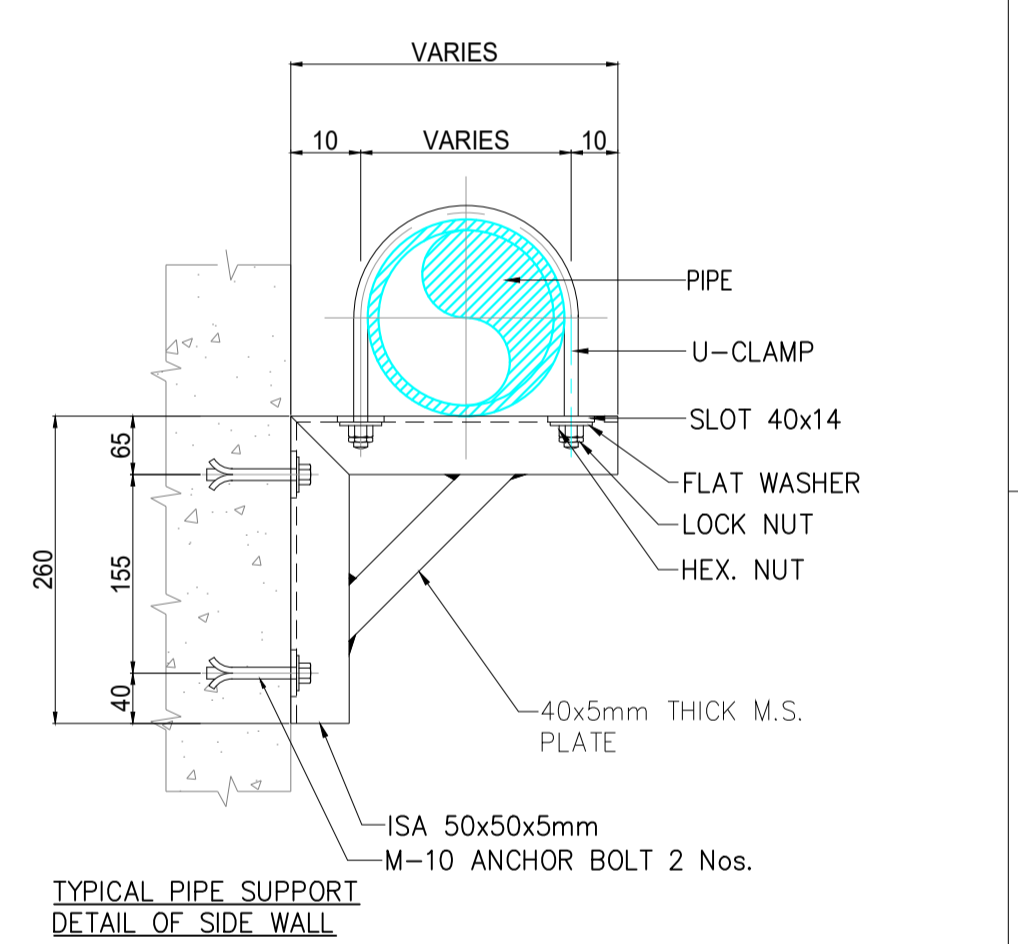


DETAIL OF GULLY TRAP 300 X 300MM

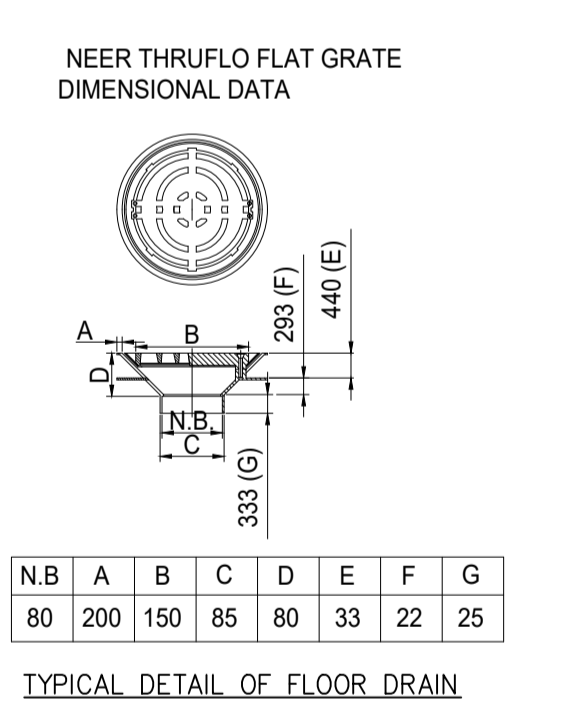


SPACING FOR PIPE SUPPORT ARE AS FOLLOW:-

PIPE SIZE (DN)	SUPPORT DISTANCE	
	HORIZONTAL (m)	VERTICAL (m)
15	1.8	2.4
20-32	2.4	3.0
40-50	2.4	3.7
65-100	3.0	4.6



TYPICAL DETAIL OF FULL WAY VALVE CHAMBER (UP TO 50MM DIA PIPE)



TYPICAL DETAIL OF FLOOR DRAIN

REVISIONS

REV.	DESCRIPTION	DATE	DRAWN BY	CHECKED BY
R0	ISSUED FIRST SUBMISSION OF TENDER DRAWINGS	27-03-2026	HL	RK

APPROVAL OF NMRC OFFICIALS

NAME	DESIGNATION	DATE

REFERENCE DRAWINGS

REVISION	DESCRIPTION	DRAWING NO.

Certified that this document has been designed and checked in accordance with DDC Quality Assurance Plan.

Architecture Design In-charge/ Coordinator: *Handel*
 Structure Design In-charge/ Coordinator: *R0*
 E&M Design In-charge/ Coordinator: *SJ*

DETAIL DESIGN CONSULTANT : **ayesa**

Ayesa India Private Limited
 D 99, 3rd Floor, Sector 2, Noida -201301, Gautam Budh Nagar, Uttar Pradesh
 Tel.: +(91) 120 490 8800, Email: delhi@ayesa.com

TENDER DESIGN

NOIDA METRO RAIL CORPORATION LTD.
 Block-III, 3rd Floor, Ganga Shopping Complex, Sector-29, Noida -201301, District Gautam Budh Nagar, Uttar Pradesh, India

PROJECT: CONTRACT NO: NGNECC-01- Part Design & Construction of Elevated Viaduct and 10 nos. of Elevated Stations for Extension Projects of NMRC's Aqua Line from Botanical Garden to Noida Sec-142 (from Chainage (-) 383.959 to 12130.143) and from Depot Station to Boraki MMTH (Chainage 28678.253 to 31263.482)

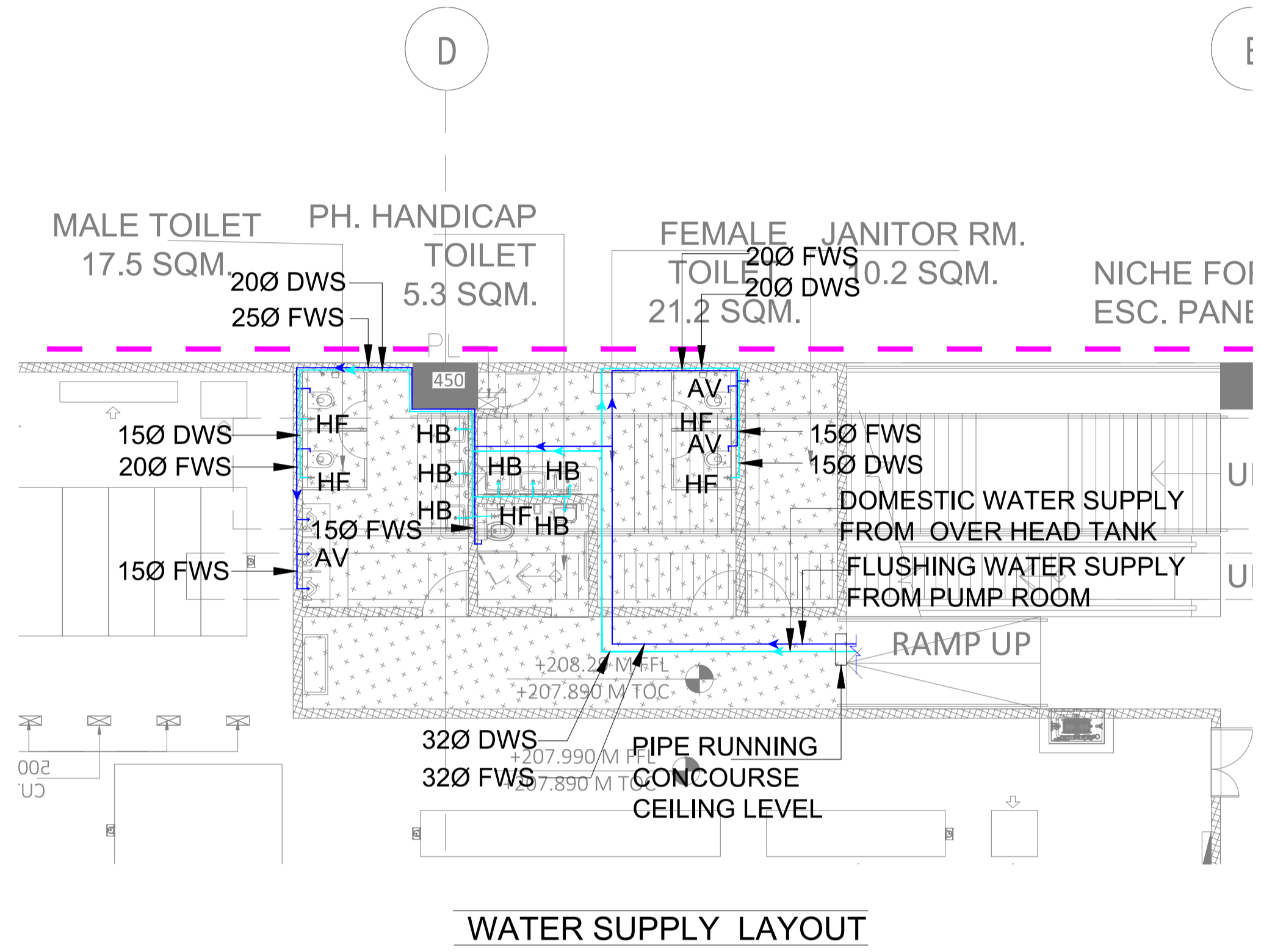
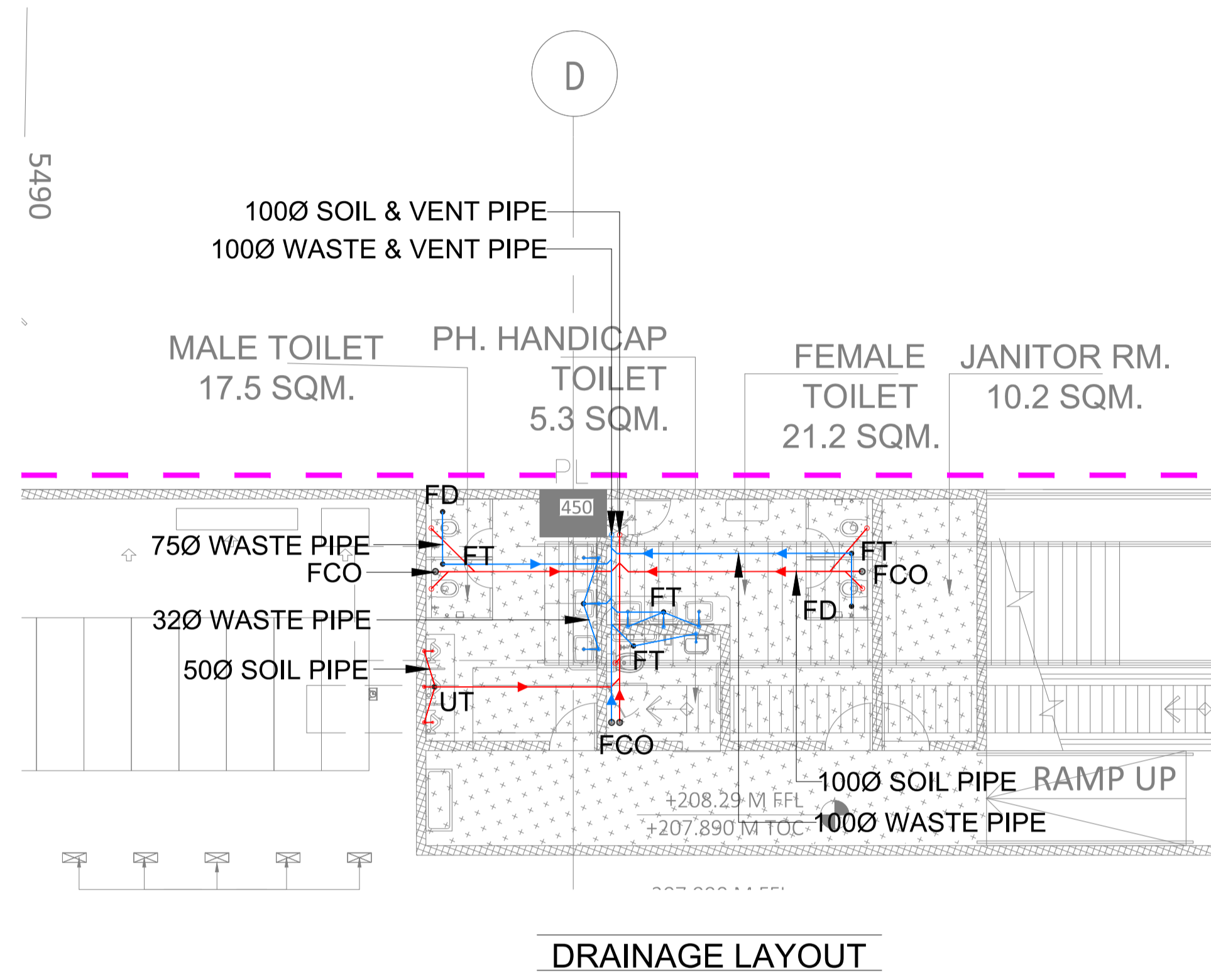
STATION: NOIDA SECTOR 105 STATION

DRAWING TITLE: TYPICAL DETAIL & SECTION - PLUMBING LAYOUT

NORTH	DRAWN BY: <i>Handel</i>	CHECKED BY: <i>R0</i>	VERIFIED BY: <i>SJ</i>	APPROVED BY: <i>NG</i>
	DATE: 27-03-2026	REV: R0	SCALE: N.T.S.	STATUS: TED
	DRAWING NUMBER: NGNE-S105-TED-PLB-10002		SHEET NO. 01 OF 01	SHEET SIZE A-1

ORDER N°: *NGNECC-01-01*

This drawing must not be either loaned, copied or otherwise reproduced in whole or in part or used for any purpose without the prior written permission of NMRC.



LEGEND:-

1	WASTE PIPE	
2	SOIL PIPE	
3	FLOOR TRAP	
4	FLOOR DRAIN	
5	URINAL TRAP	
6	FLOOR CLEAN OUT	
7	DOMESTIC WATER SUPPLY PIPE	
8	FLUSHING WATER SUPPLY PIPE	
9	DOMESTIC WATER SUPPLY	DWS
10	FLUSHING WATER SUPPLY	FWS
11	ANGLE VALVE	AV
12	HOSE BIB	HB
13	HEALTH FAUCET	HF
14	BALL VALVE	

TENDER DESIGN

NOIDA METRO RAIL CORPORATION LTD.
 Block-III, 3rd Floor, Ganga Shopping Complex, Sector-29, Noida -201301, District Gautam Budh Nagar, Uttar Pradesh, India

PROJECT: CONTRACT NO: NGNECC-01- Part Design & Construction of Elevated Viaduct and 10 nos. of Elevated Stations for Extension Projects of NMRC's Aqua Line from Botanical Garden to Noida Sec-142 (from Chainage (-) 383.959 to 12130.143) and from Depot Station to Boraki MMTH (Chainage 28678.253 to 31263.482)

STATION: NOIDA SECTOR 105 STATION

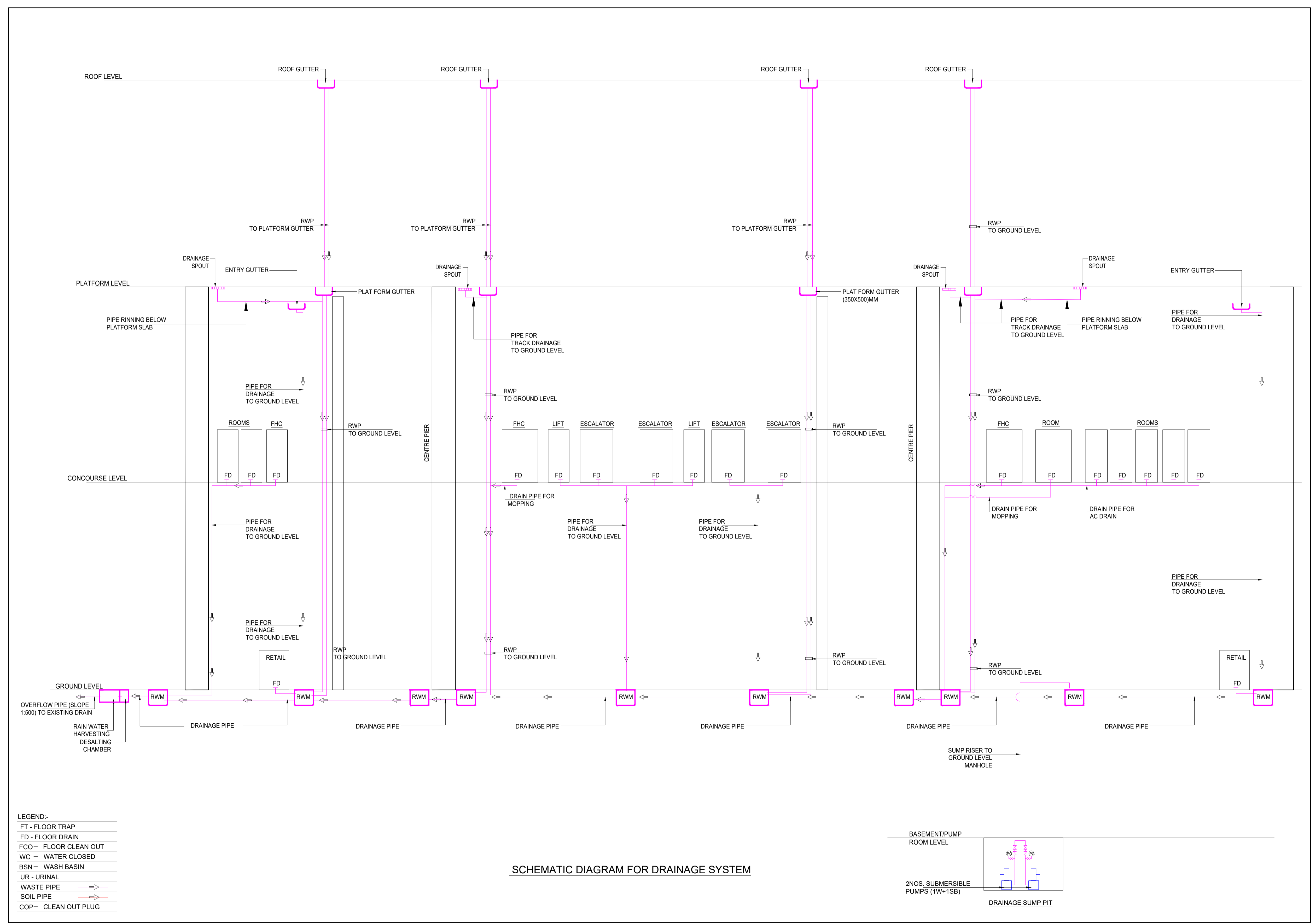
DRAWING TITLE: TOILET DETAIL -PLUMBING LAYOUT

 ORDER N° DRAWING NUMBER: NGNE-S105-TED-PLB-10003	DRAWN BY: HL DATE: 27-03-2026	CHECKED BY: RK REV: R0	VERIFIED BY: SJ SCALE: 1:100 SHEET NO. 01 OF 01	APPROVED BY: NG STATUS: TED SHEET SIZE: A-1
---------------------------------------------------------	----------------------------------	---------------------------	-------------------------------------------------------	---------------------------------------------------

NGNEDDC PLUMBING

This drawing must not be either loaned, copied or otherwise reproduced in whole or in part or used for any purpose without the prior written permission of NMRC.

GENERAL NOTES				REVISIONS				APPROVAL OF NMRC OFFICIALS				Certified that this document has been designed and checked in accordance with DDC Quality Assurance Plan.			
1. ALL DIMENSIONS ARE IN MILLIMETER UNLESS MENTIONED. 2. ALL DIMENSIONS ARE TO BE READ AND NOT MEASURED. 3. ANY DISCREPANCY MUST BE BROUGHT TO THE NOTICE OF THE DMRC BEFORE EXECUTION OF WORK AT SITE. 4. THIS DRAWING MUST BE READ IN CONJUNCTION WITH ALL RELEVANT ARCHITECTURAL, STRUCTURAL, PLUMBING & FIRE FIGHTING, ELECTRICAL AND TRAFFIC MANAGEMENT DRAWINGS.				REV. DESCRIPTION DATE DRAWN BY CHECKED BY R0 ISSUED FIRST SUBMISSION OF TENDER DRAWINGS 27-03-2026 HL RK				Architecture Design In-charge/ Coordinator Structure Design In-charge/ Coordinator E&M Design In-charge/ Coordinator				Authorized Signatory for DDC, NGNEDDC Project Manager			
REFERENCE DRAWINGS REVISION DESCRIPTION DRAWING NO.												DETAIL DESIGN CONSULTANT : ayesa Ayesa India Private Limited D 99, 3rd Floor, Sector 2, Noida -201301, Gautam Budh Nagar, Uttar Pradesh Tel.: +(91) 120 490 8800, Email: delhi@ayesa.com			



LEGEND:-

FT - FLOOR TRAP
FD - FLOOR DRAIN
FCO - FLOOR CLEAN OUT
WC - WATER CLOSED
BSN - WASH BASIN
UR - URINAL
WASTE PIPE
SOIL PIPE
COP - CLEAN OUT PLUG

SCHMATIC DIAGRAM FOR DRAINAGE SYSTEM

TENDER DESIGN

NOIDA METRO RAIL CORPORATION LTD.
 Block-III, 3rd Floor, Ganga Shopping Complex, Sector-29, Noida -201301,
 District Gautam Budh Nagar, Uttar Pradesh, India

PROJECT: CONTRACT NO: NGNECC-01- Part Design & Construction of Elevated Viaduct and 10 nos. of Elevated Stations for Extension Projects of NMRC's Aqua Line from Botanical Garden to Noida Sec-142 (from Chainage (-) 383.959 to 12130.143) and from Depot Station to Boraki MMTH (Chainage 28678.253 to 31263.482)

STATION: NOIDA SECTOR 105 STATION

DRAWING TITLE: SCHEMATIC DIAGRAM FOR DRAINAGE SYSTEM

NORTH	DRAWN BY: HL	CHECKED BY: RK	VERIFIED BY: SJ	APPROVED BY: NG
	DATE: 27-03-2026	REV: R0	SCALE: N.T.S.	STATUS: TED
ORDER N°	DRAWING NUMBER: NGNE-S105-TED-PLB-10004	SHEET NO. 01 OF 01	SHEET SIZE A-1	

NGNECC PLUMBING

Certified that this document has been designed and checked in accordance with DDC Quality Assurance Plan.

Architecture Design In-charge/ Coordinator | Structure Design In-charge/ Coordinator | E&M Design In-charge/ Coordinator



Ayesa India Private Limited
 D 99, 3rd Floor, Sector 2, Noida -201301, Gautam
 Budh Nagar, Uttar Pradesh
 Tel.: +(91) 120 490 8800, Email: delhi@ayesa.com

GENERAL NOTES:

- ALL DIMENSIONS ARE IN MILLIMETER UNLESS MENTIONED.
- ALL DIMENSIONS ARE TO BE READ AND NOT MEASURED.
- ANY DISCREPANCY MUST BE BROUGHT TO THE NOTICE OF THE DMRC BEFORE EXECUTION OF WORK AT SITE.
- THIS DRAWING MUST BE READ IN CONJUNCTION WITH ALL RELEVANT ARCHITECTURAL, STRUCTURAL, PLUMBING & FIRE FIGHTING, ELECTRICAL AND TRAFFIC MANAGEMENT DRAWINGS.

REVISION	DESCRIPTION	DRAWING NO.
R0	ISSUED FIRST SUBMISSION OF TENDER DRAWINGS	

REV.	DESCRIPTION	DATE	DRAWN BY	CHECKED BY
R0	ISSUED FIRST SUBMISSION OF TENDER DRAWINGS	27-03-2026	HL	RK

APPROVAL OF NMRC OFFICIALS

--	--	--	--	--	--	--	--	--	--

THIS DRAWING IS THE PROPERTY OF Noida Metro Rail Corporation Ltd.

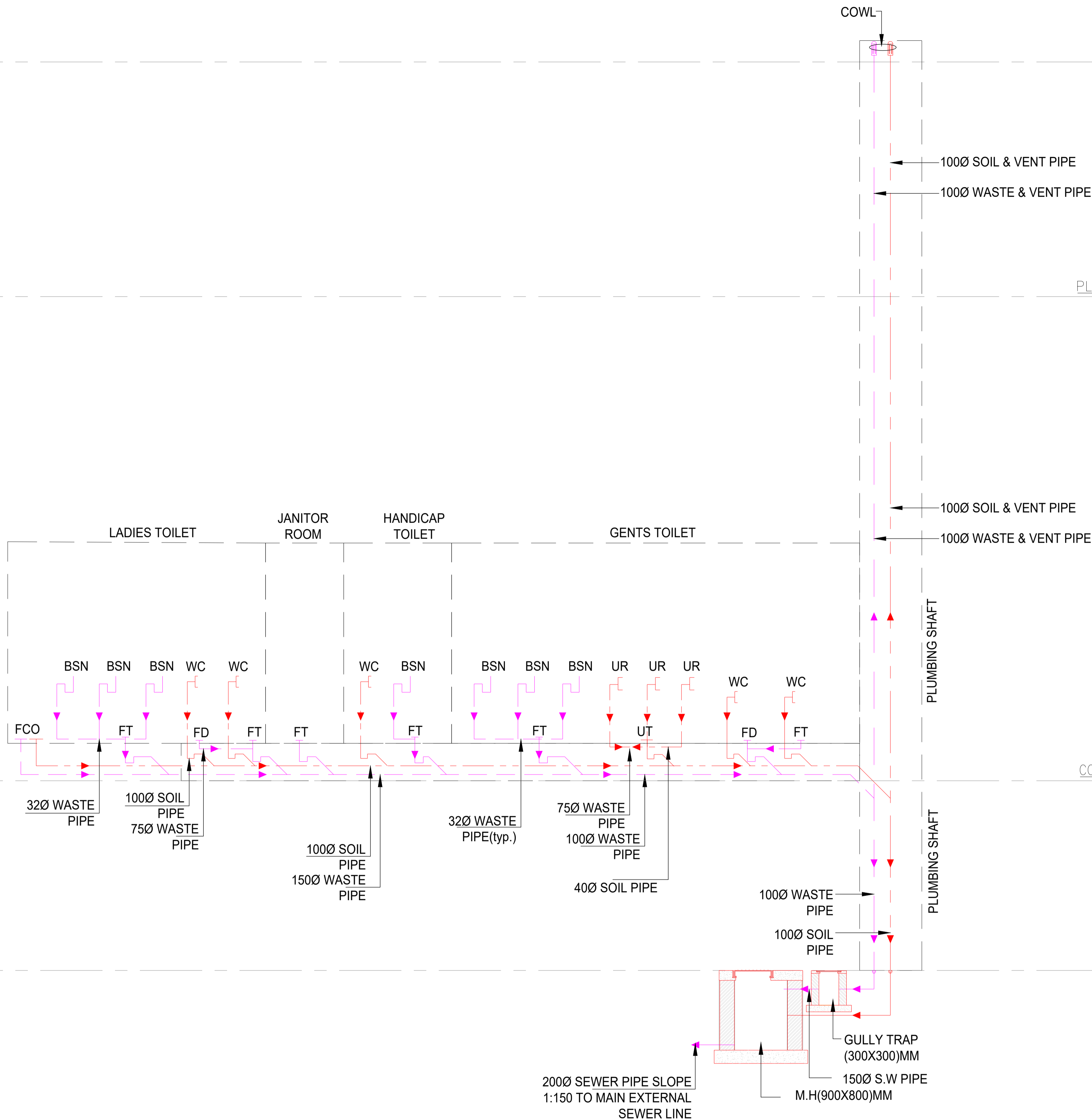
€ OF STATION

ROOF LEVEL

PLATFORM LEVEL

CONCOURSE LEVEL

GROUND LEVEL



LEGEND:-

FT - FLOOR TRAP
FD - FLOOR DRAIN
FCO - FLOOR CLEAN OUT
WC - WATER CLOSED
BSN - WASH BASIN
UR - URINAL
WASTE PIPE
SOIL PIPE

SCHEMATIC DIAGRAM FOR SEWAGE SYSTEM

TENDER DESIGN

NOIDA METRO RAIL CORPORATION LTD.
Block-III, 3rd Floor, Ganga Shopping Complex, Sector-29, Noida -201301, District Gautam Budh Nagar, Uttar Pradesh, India

PROJECT: CONTRACT NO: NGNECC-01- Part Design & Construction of Elevated Viaduct and 10 nos. of Elevated Stations for Extension Projects of NMRC's Aqua Line from Botanical Garden to Noida Sec-142 (from Chainage (-) 383.959 to 12130.143) and from Depot Station to Boraki MMTH (Chainage 28678.253 to 31263.482)

STATION: NOIDA SECTOR 105 STATION

DRAWING TITLE: SCHEMATIC DIAGRAM FOR SEWAGE SYSTEM

NORTH	DRAWN BY: HL	CHECKED BY: RK	VERIFIED BY: SJ	APPROVED BY: NG
	DATE: 27-03-2026	REV: R0	SCALE: N.T.S.	STATUS: TED
ORDER N°	DRAWING NUMBER: NGNE-S105-TED-PLB-10005	SHEET NO. 01 OF 01	SHEET SIZE A-1	

This drawing must not be either loaned, copied or otherwise reproduced in whole or in part or used for any purpose without the prior written permission of NMRC.

Certified that this document has been designed and checked in accordance with DDC Quality Assurance Plan.

Authorised Signatory for DDC, NGNEDDC Project Manager

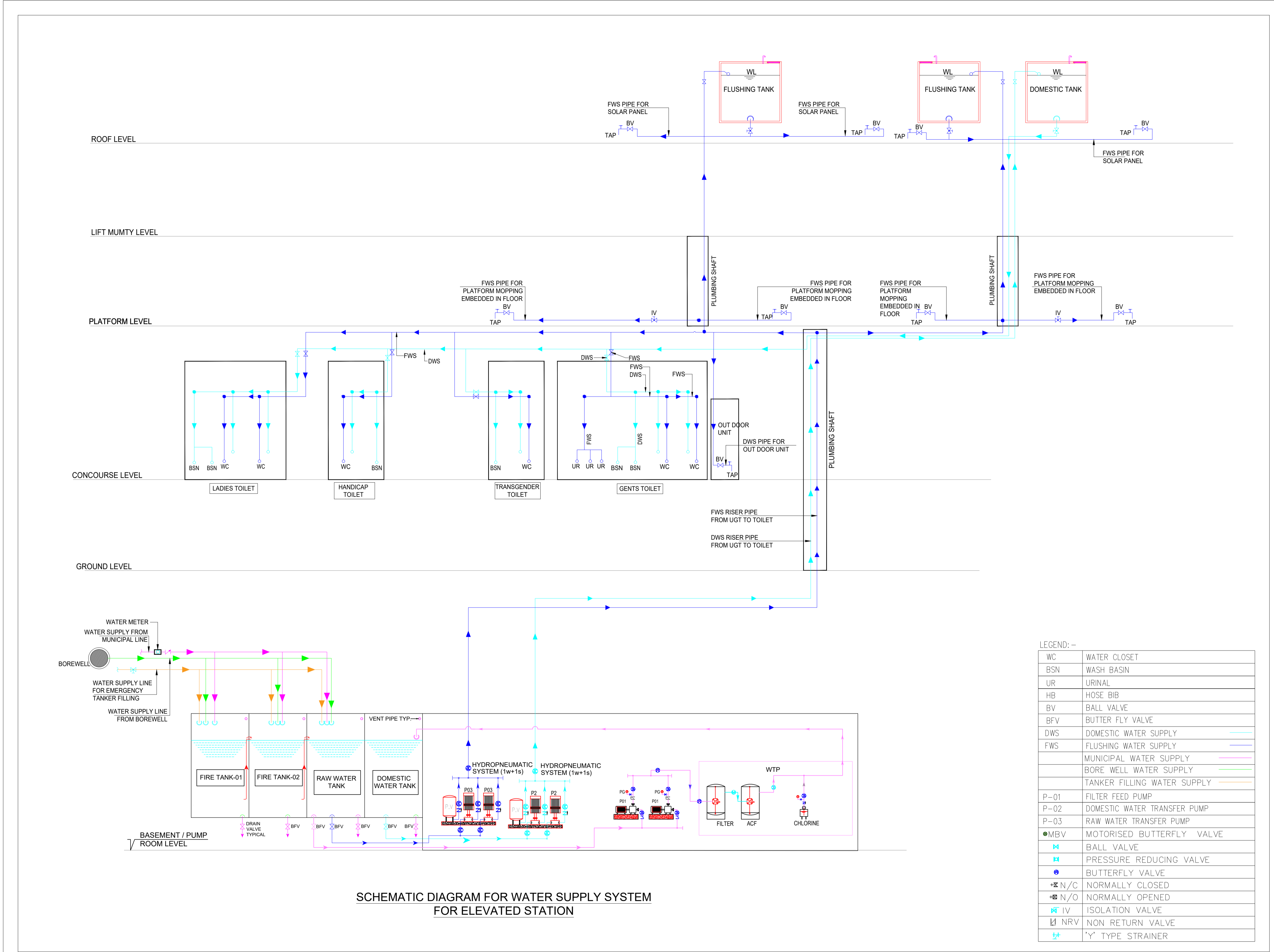
Architecture Design In-charge/ Coordinator Structure Design In-charge/ Coordinator E&M Design In-charge/ Coordinator

DETAIL DESIGN CONSULTANT :

ayesa

Ayesa India Private Limited
D 99, 3rd Floor, Sector 2, Noida -201301, Gautam Budh Nagar, Uttar Pradesh
Tel.: +(91) 120 490 8800, Email: delhi@ayesa.com

GENERAL NOTES				REVISIONS				APPROVAL OF NMRC OFFICIALS			
1. ALL DIMENSIONS ARE IN MILLIMETER UNLESS MENTIONED. 2. ALL DIMENSIONS ARE TO BE READ AND NOT MEASURED. 3. ANY DISCREPANCY MUST BE BROUGHT TO THE NOTICE OF THE DMRC BEFORE EXECUTION OF WORK AT SITE. 4. THIS DRAWING MUST BE READ IN CONJUNCTION WITH ALL RELEVANT ARCHITECTURAL, STRUCTURAL, PLUMBING & FIRE FIGHTING, ELECTRICAL AND TRAFFIC MANAGEMENT DRAWINGS.				REV. DESCRIPTION DATE DRAWN BY CHECKED BY R0 ISSUED FIRST SUBMISSION OF TENDER DRAWINGS 27-03-2026 HL RK				(Approval grid with empty cells for signatures and dates)			
REFERENCE DRAWINGS		DRAWING NO.									
REVISION	DESCRIPTION										



SCHEMATIC DIAGRAM FOR WATER SUPPLY SYSTEM FOR ELEVATED STATION

LEGEND: -

WC	WATER CLOSET
BSN	WASH BASIN
UR	URINAL
HB	HOSE BIB
BV	BALL VALVE
BFV	BUTTER FLY VALVE
DWS	DOMESTIC WATER SUPPLY
FWS	FLUSHING WATER SUPPLY
	MUNICIPAL WATER SUPPLY
	BORE WELL WATER SUPPLY
	TANKER FILLING WATER SUPPLY
P-01	FILTER FEED PUMP
P-02	DOMESTIC WATER TRANSFER PUMP
P-03	RAW WATER TRANSFER PUMP
MBV	MOTORIZED BUTTERFLY VALVE
	BALL VALVE
	PRESSURE REDUCING VALVE
	BUTTERFLY VALVE
N/C	NORMALLY CLOSED
N/O	NORMALLY OPENED
IV	ISOLATION VALVE
NRV	NON RETURN VALVE
Y	'Y' TYPE STRAINER

TENDER DESIGN

NOIDA METRO RAIL CORPORATION LTD.
Block-III, 3rd Floor, Ganga Shopping Complex, Sector-29, Noida -201301, District Gautam Budh Nagar, Uttar Pradesh, India

PROJECT: CONTRACT NO: NGNECC-01- Part Design & Construction of Elevated Viaduct and 10 nos. of Elevated Stations for Extension Projects of NMR's Aqua Line from Botanical Garden to Noida Sec-142 (from Chainage (-) 383.959 to 12130.143) and from Depot Station to Boraki MMTH (Chainage 28678.253 to 31263.482)

STATION: NOIDA SECTOR 105 STATION

DRAWING TITLE: SCHEMATIC DIAGRAM FOR WATER SUPPLY SYSTEM

NORTH	DRAWN BY: <i>Handel</i>	CHECKED BY: <i>RK</i>	VERIFIED BY: <i>SJ</i>	APPROVED BY: <i>NG</i>
	DATE: 27-03-2026	REV: R0	SCALE: N.T.S.	STATUS: TED
ORDER N°	DRAWING NUMBER: NGNE-S105-TED-PLB-10006	SHEET NO. 01 OF 01	SHEET SIZE A-1	

NGNECC
PLUMBING

Certified that this document has been designed and checked in accordance with DDC Quality Assurance Plan.

Authorised Signatory for DDC.
NGNECC Project Manager

Architecture Design In-charge/ Coordinator	Structure Design In-charge/ Coordinator	E&M Design In-charge/ Coordinator
-----------------------------------------------	--------------------------------------------	--------------------------------------

ayesa

Ayesa India Private Limited
D 99, 3rd Floor, Sector 2, Noida -201301, Gautam
Budh Nagar, Uttar Pradesh
Tel.: +(91) 120 490 8800, Email: delhi@ayesa.com

GENERAL NOTES			
1. ALL DIMENSIONS ARE IN MILLIMETER UNLESS MENTIONED.			
2. ALL DIMENSIONS ARE TO BE READ AND NOT MEASURED.			
3. ANY DISCREPANCY MUST BE BROUGHT TO THE NOTICE OF THE DMRC BEFORE EXECUTION OF WORK AT SITE.			
4. THIS DRAWING MUST BE READ IN CONJUNCTION WITH ALL RELEVANT ARCHITECTURAL, STRUCTURAL, PLUMBING & FIRE FIGHTING, ELECTRICAL AND TRAFFIC MANAGEMENT DRAWINGS.			

REVISIONS				
REV.	DESCRIPTION	DATE	DRAWN BY	CHECKED BY
R0	ISSUED FIRST SUBMISSION OF TENDER DRAWINGS	27-03-2026	HL	RK

REFERENCE DRAWINGS		
REVISION	DESCRIPTION	DRAWING NO.

APPROVAL OF NMRC OFFICIALS				
NO.	NAME	DESIGNATION	DATE	SIGNATURE

THIS DRAWING IS THE PROPERTY OF NOIDA METRO RAIL CORPORATION LTD.

LIST OF PLUMBING DRAWINGS

S.NO.	DRAWING NO.	DRAWING TITLE	SHEET	REV.
01	NGNE-S97-TED-PLB-10001	LIST OF PLUMBING DRAWINGS	1 OF 1	R0
02	NGNE-S97-TED-PLB-10002	TYPICAL DETAIL & SECTION -PLUMBING LAYOUT	1 OF 1	R0
03	NGNE-S97-TED-PLB-10003	TOILET DETAIL-PLUMBING LAYOUT	1 OF 1	R0
04	NGNE-S97-TED-PLB-10004	SCHEMATIC DIAGRAM FOR DRAINAGE SYSTEM	1 OF 1	R0
05	NGNE-S97-TED-PLB-10005	SCHEMATIC DIAGRAM FOR SEWAGE SYSTEM	1 OF 1	R0
06	NGNE-S97-TED-PLB-10006	SCHEMATIC DIAGRAM FOR WATER SUPPLY SYSTEM	1 OF 1	R0
07	NGNE-S97-TED-PLB-11001	GROUND FLOOR PLAN - DRAINAGE & WATER SUPPLY LAYOUT	1 OF 1	R0
08	NGNE-S97-TED-PLB-12001	PUMP ROOM - PLUMBING LAYOUT	1 OF 1	R0
09	NGNE-S97-TED-PLB-13001	CONCOURSE LEVEL PLAN -DRAINAGE LAYOUT	1 OF 1	R0
10	NGNE-S97-TED-PLB-13002	CONCOURSE LEVEL PLAN -WATER SUPPLY LAYOUT	1 OF 1	R0
11	NGNE-S97-TED-PLB-14001	PLATFORM LEVEL PLAN-DRAINAGE LAYOUT	1 OF 1	R0
12	NGNE-S97-TED-PLB-14002	PLATFORM LEVEL PLAN-WATER SUPPLY LAYOUT	1 OF 1	R0
13	NGNE-S97-TED-PLB-15001	ROOF LEVEL PLAN-DRAINAGE LAYOUT	1 OF 1	R0

TENDER DESIGN

NOIDA METRO RAIL CORPORATION LTD.
Block-III, 3rd Floor, Ganga Shopping Complex, Sector-29, Noida -201301,
District Gautam Budh Nagar, Uttar Pradesh, India

PROJECT: CONTRACT NO: NGNECC-01- Part Design & Construction of Elevated Viaduct and 10 nos. of Elevated Stations for Extension Projects of NMRC's Aqua Line from Botanical Garden to Noida Sec-142 (from Chainage (-) 383.959 to 12130.143) and from Depot Station to Boraki MMTH (Chainage 28678.253 to 31263.482)

STATION: SECTOR -97 STATION

DRAWING TITLE: LIST OF PLUMBING DRAWINGS

NORTH	DRAWN BY: HL	CHECKED BY: RK	VERIFIED BY: SJ	APPROVED BY: NG
	DATE: 27-03-2026	REV: R0	SCALE: N.T.S.	STATUS: TED
ORDER N°	DRAWING NUMBER: NGNE-S97-TED-PLB-10001	SHEET NO. 01 OF 01	SHEET SIZE A-1	

This drawing must not be either loaned, copied or otherwise reproduced in whole or in part or used for any purpose without the prior written permission of NMRC.

GENERAL NOTES:
1. ALL DIMENSIONS ARE IN MILLIMETER UNLESS MENTIONED.
2. ALL DIMENSIONS ARE TO BE READ AND NOT MEASURED.
3. ANY DISCREPANCY MUST BE BROUGHT TO THE NOTICE OF THE DMRC BEFORE EXECUTION OF WORK AT SITE.
4. THIS DRAWING MUST BE READ IN CONJUNCTION WITH ALL RELEVANT ARCHITECTURAL, STRUCTURAL, PLUMBING & FIRE FIGHTING, ELECTRICAL AND TRAFFIC MANAGEMENT DRAWINGS.

REVISIONS

REV.	DESCRIPTION	DATE	DRAWN BY	CHECKED BY
R0	ISSUED FIRST SUBMISSION OF TENDER DRAWINGS	27-03-2026	HARI LAL	R.K.

APPROVAL OF NMRC OFFICIALS

--	--	--	--	--	--	--	--	--	--

Certified that this document has been designed and checked in accordance with DDC Quality Assurance Plan.

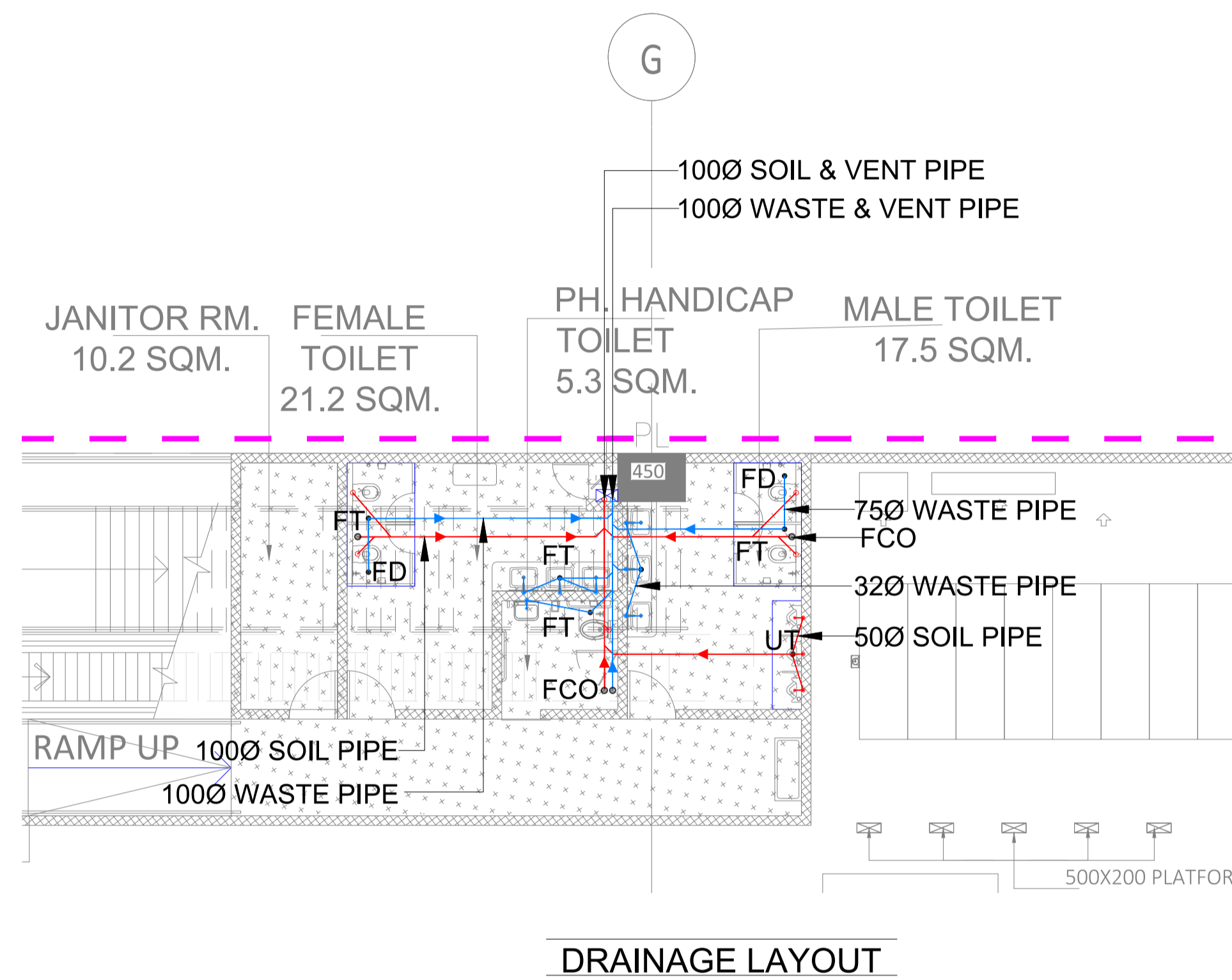
Authorised Signatory for DDC.
NGNEDDC Project Manager

Architecture Design In-charge/ Coordinator	Structure Design In-charge/ Coordinator	E&M Design In-charge/ Coordinator
-----------------------------------------------	--------------------------------------------	--------------------------------------

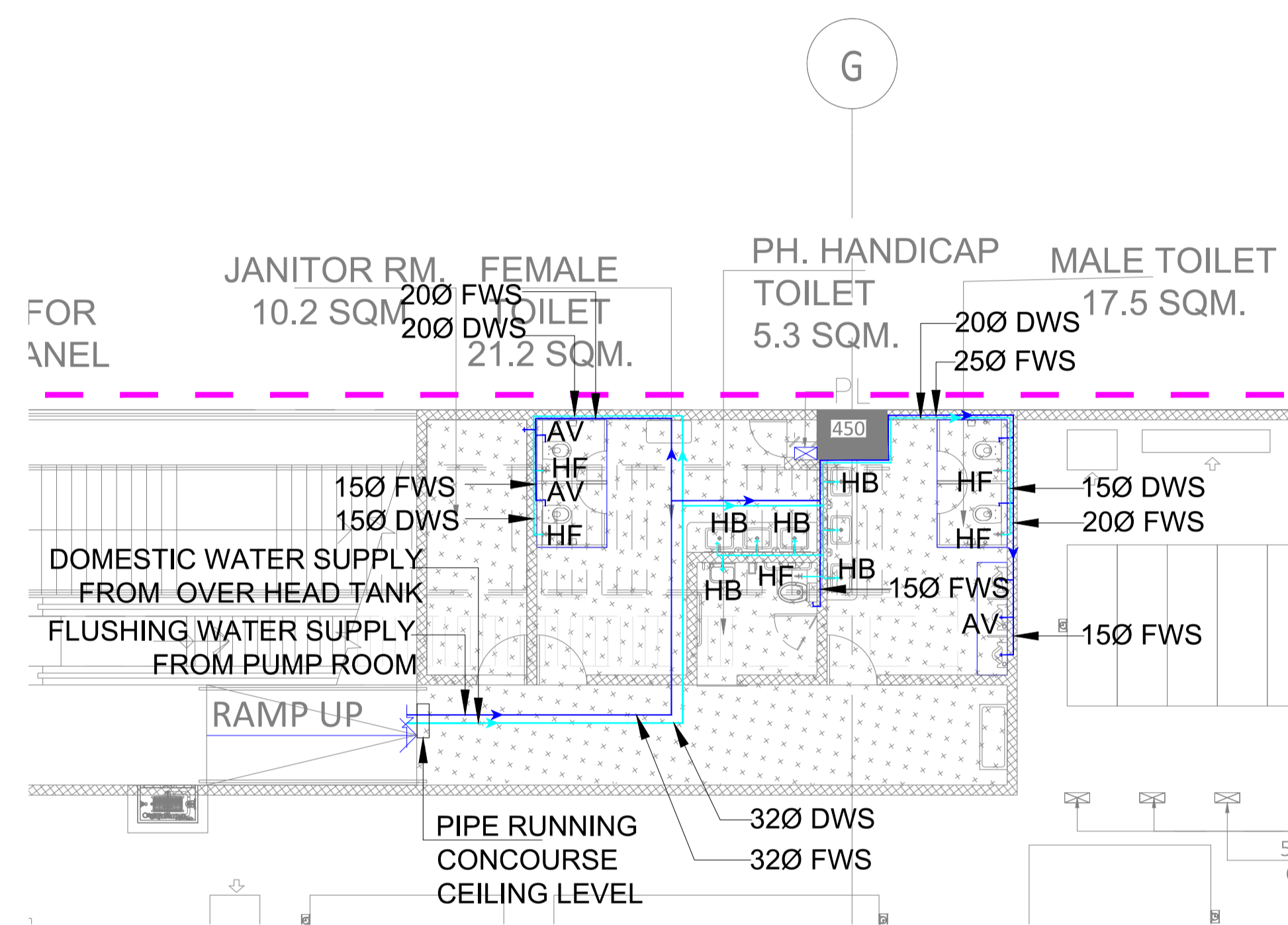
DETAIL DESIGN CONSULTANT :



Ayesa India Private Limited
D 99, 3rd Floor, Sector 2, Noida -201301, Gautam
Budh Nagar, Uttar Pradesh
Tel.: +(91) 120 490 8800, Email: delhi@ayesa.com



DRAINAGE LAYOUT



WATER SUPPLY LAYOUT

LEGEND:-

1	WASTE PIPE	
2	SOIL PIPE	
3	FLOOR TRAP	
4	FLOOR DRAIN	
5	URINAL TRAP	
6	FLOOR CLEAN OUT	
7	DOMESTIC WATER SUPPLY PIPE	
8	FLUSHING WATER SUPPLY PIPE	
9	DOMESTIC WATER SUPPLY	DWS
10	FLUSHING WATER SUPPLY	FWS
11	ANGLE VALVE	AV
12	HOSE BIB	HB
13	HEALTH FAUCET	HF
14	BALL VALVE	B-V

TENDER DESIGN

NOIDA METRO RAIL CORPORATION LTD.
 Block-III, 3rd Floor, Ganga Shopping Complex, Sector-29, Noida -201301, District Gautam Budh Nagar, Uttar Pradesh, India

PROJECT: CONTRACT NO: NGNECC-01- Part Design & Construction of Elevated Viaduct and 10 nos. of Elevated Stations for Extension Projects of NMRC's Aqua Line from Botanical Garden to Noida Sec-142 (from Chainage (-) 383.959 to 12130.143) and from Depot Station to Boraki MMTH (Chainage 28678.253 to 31263.482)

STATION: SECTOR -97 STATION

DRAWING TITLE: TOILET DETAIL -PLUMBING LAYOUT

NORTH	DRAWN BY: HL	CHECKED BY: RK	VERIFIED BY: SJ	APPROVED BY: NG
	DATE: 27-03-2026	REV: R0	SCALE: 1:100	STATUS: TED
ORDER N°	DRAWING NUMBER: NGNE-S97-TED-PLB-10003	SHEET NO. 01 OF 01	SHEET SIZE A-1	

NGNEDDC PLUMBING

This drawing must not be either loaned, copied or otherwise reproduced in whole or in part or used for any purpose without the prior written permission of NMRC.

GENERAL NOTES:

- ALL DIMENSIONS ARE IN MILLIMETER UNLESS MENTIONED.
- ALL DIMENSIONS ARE TO BE READ AND NOT MEASURED.
- ANY DISCREPANCY MUST BE BROUGHT TO THE NOTICE OF THE DMRC BEFORE EXECUTION OF WORK AT SITE.
- THIS DRAWING MUST BE READ IN CONJUNCTION WITH ALL RELEVANT ARCHITECTURAL, STRUCTURAL, PLUMBING & FIRE FIGHTING, ELECTRICAL AND TRAFFIC MANAGEMENT DRAWINGS.

REVISION	DESCRIPTION	DRAWING NO.

REVISIONS				
REV.	DESCRIPTION	DATE	DRAWN BY	CHECKED BY
R0	ISSUED FIRST SUBMISSION OF TENDER DRAWINGS	27-03-2026	HARI LAL	R.K.

APPROVAL OF NMRC OFFICIALS				

Certified that this document has been designed and checked in accordance with DDC Quality Assurance Plan.

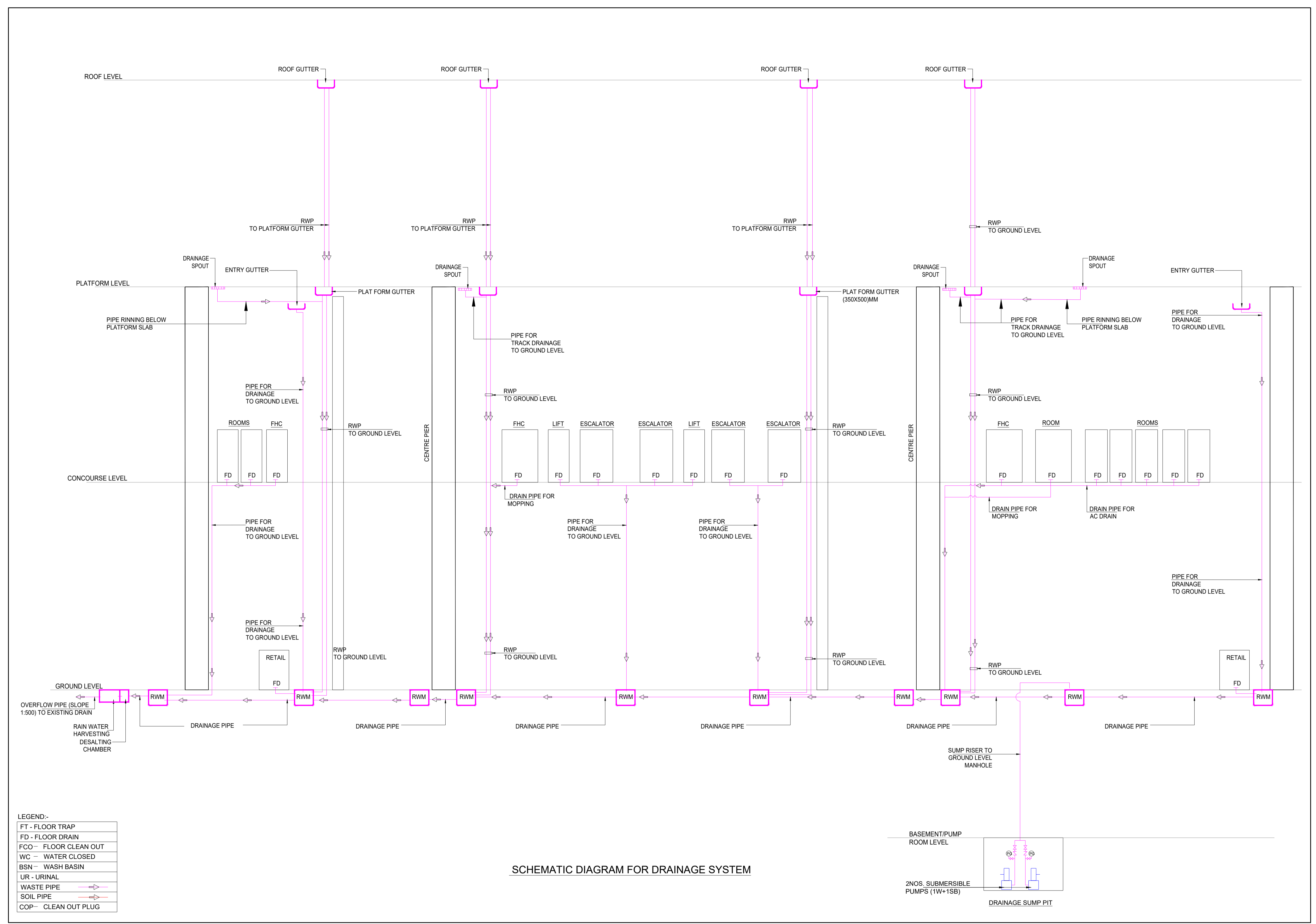
Architecture Design In-charge/ Coordinator: _____
 Structure Design In-charge/ Coordinator: _____
 E&M Design In-charge/ Coordinator: _____

Authorised Signatory for DDC, NGNEDDC Project Manager

DETAIL DESIGN CONSULTANT :

ayesa

Ayesa India Private Limited
 D 99, 3rd Floor, Sector 2, Noida -201301, Gautam Budh Nagar, Uttar Pradesh
 Tel.: +(91) 120 490 8800, Email: delhi@ayesa.com



LEGEND:-

FT - FLOOR TRAP
FD - FLOOR DRAIN
FCO - FLOOR CLEAN OUT
WC - WATER CLOSED
BSN - WASH BASIN
UR - URINAL
WASTE PIPE
SOIL PIPE
COP - CLEAN OUT PLUG

SCHEMATIC DIAGRAM FOR DRAINAGE SYSTEM

TENDER DESIGN

NOIDA METRO RAIL CORPORATION LTD.
 Block-III, 3rd Floor, Ganga Shopping Complex, Sector-29, Noida -201301,
 District Gautam Budh Nagar, Uttar Pradesh, India

PROJECT: CONTRACT NO: NGNECC-01- Part Design & Construction of Elevated Viaduct and 10 nos. of Elevated Stations for Extension Projects of NMRC's Aqua Line from Botanical Garden to Noida Sec-142 (from Chainage (-) 383.959 to 12130.143) and from Depot Station to Boraki MMTH (Chainage 28678.253 to 31263.482)

STATION: SECTOR -97 STATION

DRAWING TITLE: SCHEMATIC DIAGRAM FOR DRAINAGE SYSTEM

NORTH	DRAWN BY: HL	CHECKED BY: RK	VERIFIED BY: SJ	APPROVED BY: NG
	DATE: 27-03-2026	REV: R0	SCALE: N.T.S.	STATUS: TED
ORDER N°	DRAWING NUMBER: NGNE-S97-TED-PLB-10004	SHEET NO. 01 OF 01	SHEET SIZE A-1	

NGNEDDC PLUMBING

Certified that this document has been designed and checked in accordance with DDC Quality Assurance Plan.

Architecture Design In-charge/ Coordinator Structure Design In-charge/ Coordinator E&M Design In-charge/ Coordinator

Authorised Signatory for DDC. NGNEDDC Project Manager

ayesa

Ayesa India Private Limited
 D 99, 3rd Floor, Sector 2, Noida -201301, Gautam
 Budh Nagar, Uttar Pradesh
 Tel.: +(91) 120 490 8800, Email: delhi@ayesa.com

GENERAL NOTES			
1. ALL DIMENSIONS ARE IN MILLIMETER UNLESS MENTIONED.			
2. ALL DIMENSIONS ARE TO BE READ AND NOT MEASURED.			
3. ANY DISCREPANCY MUST BE BROUGHT TO THE NOTICE OF THE DMRC BEFORE EXECUTION OF WORK AT SITE.			
4. THIS DRAWING MUST BE READ IN CONJUNCTION WITH ALL RELEVANT ARCHITECTURAL, STRUCTURAL, PLUMBING & FIRE FIGHTING, ELECTRICAL AND TRAFFIC MANAGEMENT DRAWINGS.			

REVISIONS				
REV.	DESCRIPTION	DATE	DRAWN BY	CHECKED BY
R0	ISSUED FIRST SUBMISSION OF TENDER DRAWINGS	27-03-2026	HARI LAL	R.K.

REFERENCE DRAWINGS		
REVISION	DESCRIPTION	DRAWING NO.

APPROVAL OF NMRC OFFICIALS				
NO.	NAME	DESIGNATION	DATE	REMARKS

THIS DRAWING IS THE PROPERTY OF NDMRC AND IS NOT TO BE REPRODUCED OR TRANSMITTED IN ANY FORM OR BY ANY MEANS, ELECTRONIC OR MECHANICAL, WITHOUT THE PRIOR WRITTEN PERMISSION OF NDMRC.

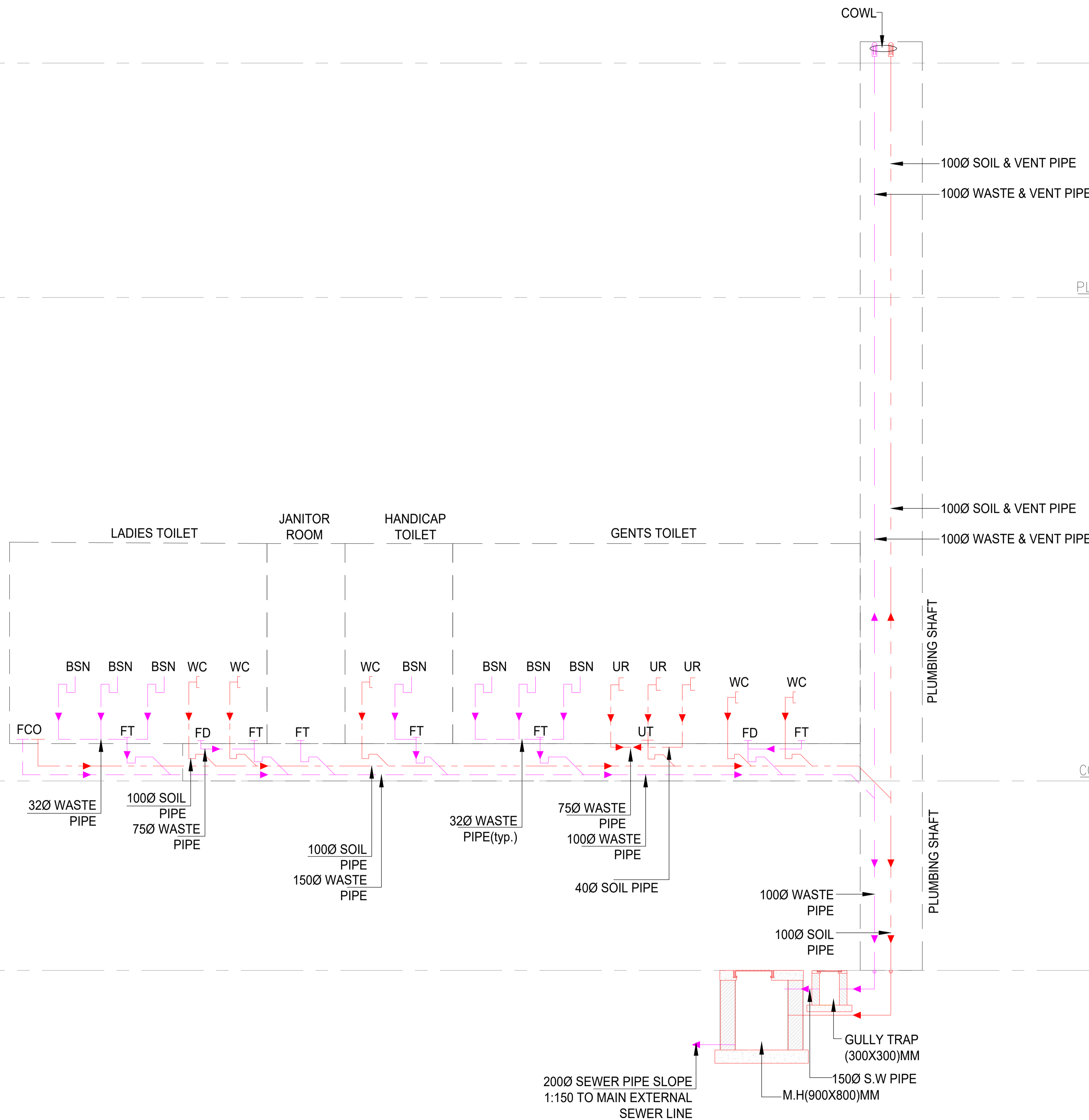
€ OF STATION

ROOF LEVEL

PLATFORM LEVEL

CONCOURSE LEVEL

GROUND LEVEL



LEGEND:-

FT - FLOOR TRAP	
FD - FLOOR DRAIN	
FCO - FLOOR CLEAN OUT	
WC - WATER CLOSED	
BSN - WASH BASIN	
UR - URINAL	
WASTE PIPE	
SOIL PIPE	

SCHEMATIC DIAGRAM FOR SEWAGE SYSTEM

TENDER DESIGN

<p>NOIDA METRO RAIL CORPORATION LTD. Block-III, 3rd Floor, Ganga Shopping Complex, Sector-29, Noida -201301, District Gautam Budh Nagar, Uttar Pradesh, India</p>					
<p>PROJECT: CONTRACT NO: NGNECC-01- Part Design & Construction of Elevated Viaduct and 10 nos. of Elevated Stations for Extension Projects of NMRC's Aqua Line from Botanical Garden to Noida Sec-142 (from Chainage (-) 383.959 to 12130.143) and from Depot Station to Boraki MMTH (Chainage 28678.253 to 31263.482)</p>					
<p>STATION: SECTOR -97 STATION</p>					
<p>DRAWING TITLE: SCHEMATIC DIAGRAM FOR SEWAGE SYSTEM</p>					
NORTH	DRAWN BY: HL	CHECKED BY: RK	VERIFIED BY: SJ	APPROVED BY: NG	
	DATE: 27-03-2026	REV: R0	SCALE: N.T.S.	STATUS: TED	
ORDER N°	DRAWING NUMBER: NGNE-S97-TED-PLB-10005	SHEET NO. 01 OF 01	SHEET SIZE A-1		

GENERAL NOTES	
1. ALL DIMENSIONS ARE IN MILLIMETER UNLESS MENTIONED.	
2. ALL DIMENSIONS ARE TO BE READ AND NOT MEASURED.	
3. ANY DISCREPANCY MUST BE BROUGHT TO THE NOTICE OF THE DMRC BEFORE EXECUTION OF WORK AT SITE.	
4. THIS DRAWING MUST BE READ IN CONJUNCTION WITH ALL RELEVANT ARCHITECTURAL, STRUCTURAL, PLUMBING & FIRE FIGHTING, ELECTRICAL AND TRAFFIC MANAGEMENT DRAWINGS.	

REVISION	DESCRIPTION	DRAWING NO.

REVISIONS					APPROVAL OF NMRC OFFICIALS				
REV.	DESCRIPTION	DATE	DRAWN BY	CHECKED BY					
R0	ISSUED FIRST SUBMISSION OF TENDER DRAWINGS	27-03-2026	HARI LAL	R.K.					

Certified that this document has been designed and checked in accordance with DDC Quality Assurance Plan.

Architecture Design In-charge/ Coordinator: _____
 Structure Design In-charge/ Coordinator: _____
 E&M Design In-charge/ Coordinator: _____

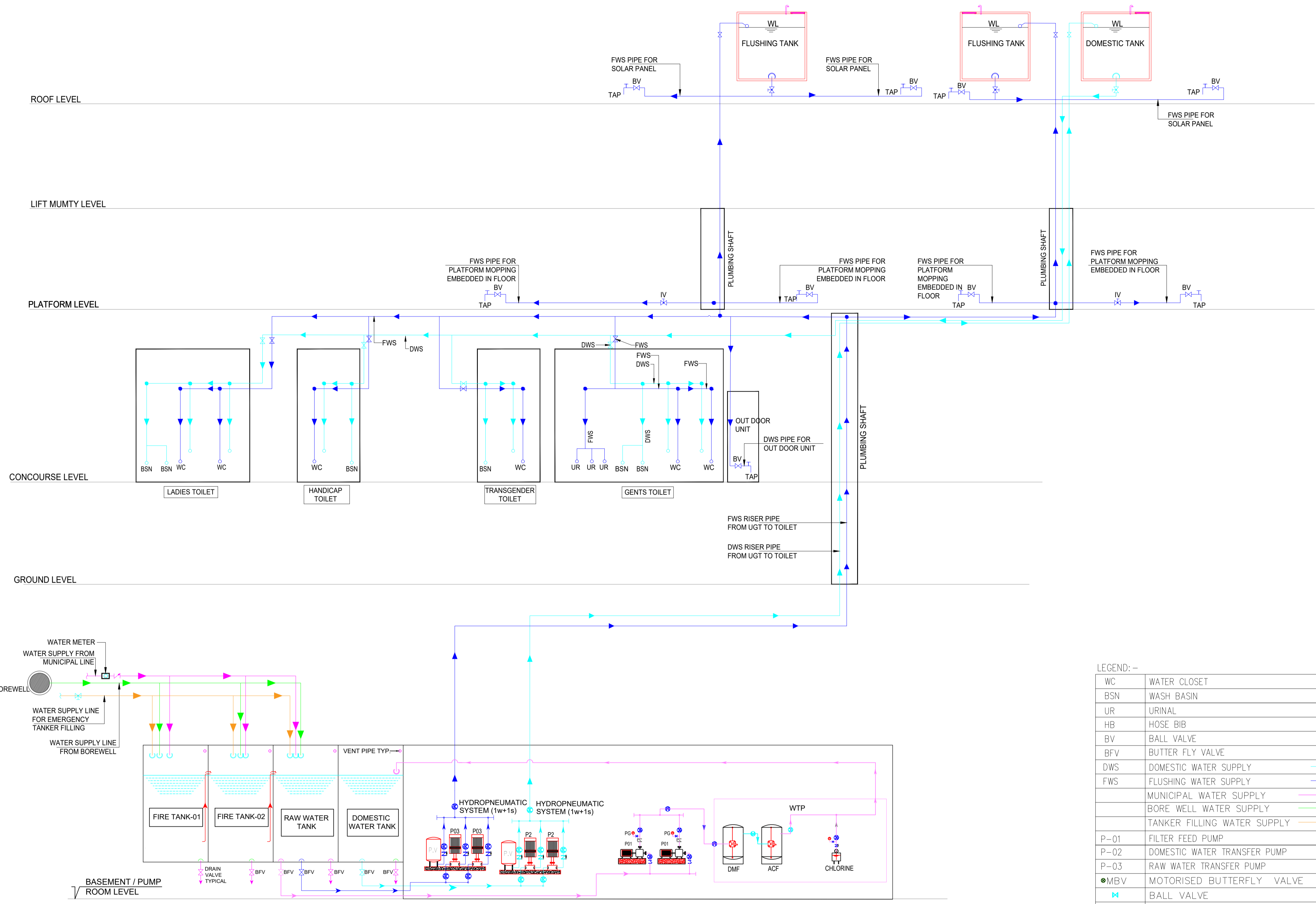
Authorised Signatory for DDC, NGNEDDC Project Manager

DETAIL DESIGN CONSULTANT :

ayesa
 Ayesa India Private Limited
 D 99, 3rd Floor, Sector 2, Noida -201301, Gautam Budh Nagar, Uttar Pradesh
 Tel.: +(91) 120 490 8800, Email: delhi@ayesa.com

THIS DRAWING IS THE PROPERTY OF NOIDA METRO RAIL CORPORATION LTD.

This drawing must not be either loaned, copied or otherwise reproduced in whole or in part or used for any purpose without the prior written permission of NMRC.



SCHEMATIC DIAGRAM FOR WATER SUPPLY SYSTEM FOR ELEVATED STATION

LEGEND:-

WC	WATER CLOSET
BSN	WASH BASIN
UR	URINAL
HB	HOSE BIB
BV	BALL VALVE
BFV	BUTTER FLY VALVE
DWS	DOMESTIC WATER SUPPLY
FWS	FLUSHING WATER SUPPLY
	MUNICIPAL WATER SUPPLY
	BORE WELL WATER SUPPLY
	TANKER FILLING WATER SUPPLY
P-01	FILTER FEED PUMP
P-02	DOMESTIC WATER TRANSFER PUMP
P-03	RAW WATER TRANSFER PUMP
MBV	MOTORISED BUTTERFLY VALVE
⊘	BALL VALVE
⊘	PRESSURE REDUCING VALVE
⊘	BUTTERFLY VALVE
⊘	N/C NORMALLY CLOSED
⊘	N/O NORMALLY OPENED
⊘	ISOLATION VALVE
⊘	NON RETURN VALVE
⊘	'Y' TYPE STRAINER

GENERAL NOTES:

1. ALL DIMENSIONS ARE IN MILLIMETER UNLESS MENTIONED.
2. ALL DIMENSIONS ARE TO BE READ AND NOT MEASURED.
3. ANY DISCREPANCY MUST BE BROUGHT TO THE NOTICE OF THE DMRC BEFORE EXECUTION OF WORK AT SITE.
4. THIS DRAWING MUST BE READ IN CONJUNCTION WITH ALL RELEVANT ARCHITECTURAL, STRUCTURAL, PLUMBING & FIRE FIGHTING, ELECTRICAL AND TRAFFIC MANAGEMENT DRAWINGS.

REVISION	DESCRIPTION	DRAWING NO.

REV.	DESCRIPTION	DATE	DRAWN BY	CHECKED BY
R0	ISSUED FIRST SUBMISSION OF TENDER DRAWINGS	27-03-2026	HARI LAL	R.K.

APPROVAL OF NMRC OFFICIALS				

Certified that this document has been designed and checked in accordance with DDC Quality Assurance Plan.		Authorised Signatory for DDC. NGNEDDC Project Manager	
Architecture Design In-charge/ Coordinator	Structure Design In-charge/ Coordinator	E&M Design In-charge/ Coordinator	
DETAIL DESIGN CONSULTANT :			
Ayesa India Private Limited D 99, 3rd Floor, Sector 2, Noida -201301, Gautam Budh Nagar, Uttar Pradesh Tel.: +(91) 120 490 8800, Email: delhi@ayesa.com			

TENDER DESIGN

NOIDA METRO RAIL CORPORATION LTD.
 Block-III, 3rd Floor, Ganga Shopping Complex, Sector-29, Noida -201301,
 District Gautam Budh Nagar, Uttar Pradesh, India

PROJECT: CONTRACT NO: NGNECC-01- Part Design & Construction of Elevated Viaduct and 10 nos. of Elevated Stations for Extension Projects of NMRC's Aqua Line from Botanical Garden to Noida Sec-142 (from Chainage (-) 383.959 to 12130.143) and from Depot Station to Boraki MMTH (Chainage 28678.253 to 31263.482)

STATION: SECTOR -97 STATION
 DRAWING TITLE: SCHEMATIC DIAGRAM FOR WATER SUPPLY SYSTEM

NORTH	DRAWN BY: HL	CHECKED BY: RK	VERIFIED BY: SJ	APPROVED BY: NG
	DATE: 27-03-2026	REV: R0	SCALE: N.T.S.	STATUS: TED
ORDER N°	DRAWING NUMBER: NGNE-S97-TED-PLB-10006	SHEET NO. 01 OF 01	SHEET SIZE A-1	

NGNEDDC
 PLUMBING

This drawing must not be either loaned, copied or otherwise reproduced in whole or in part or used for any purpose without the prior written permission of NMRC.

198.520

6 NI

A

B

C

D

E

F

G

H

J

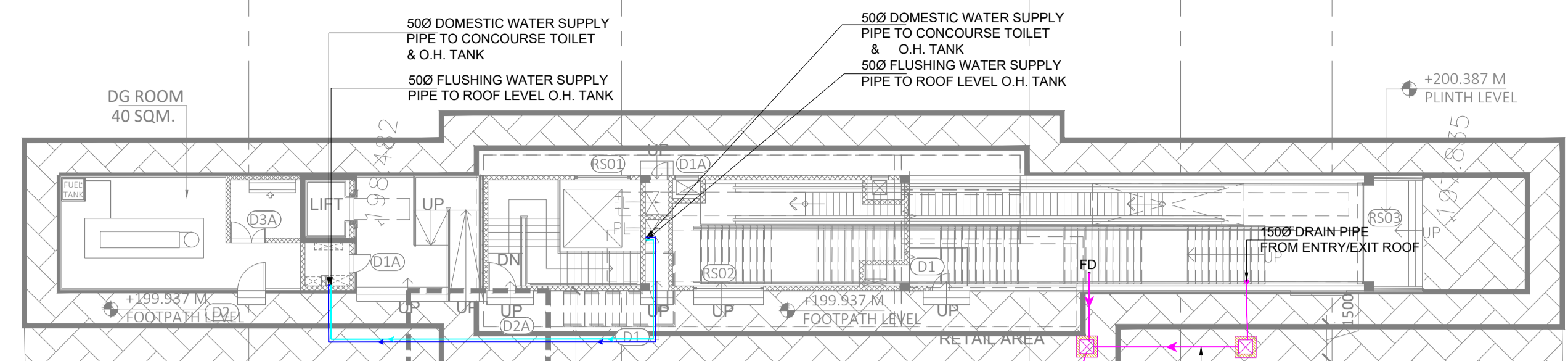
K

NOIDA SEC.97
CH: 6034.859m

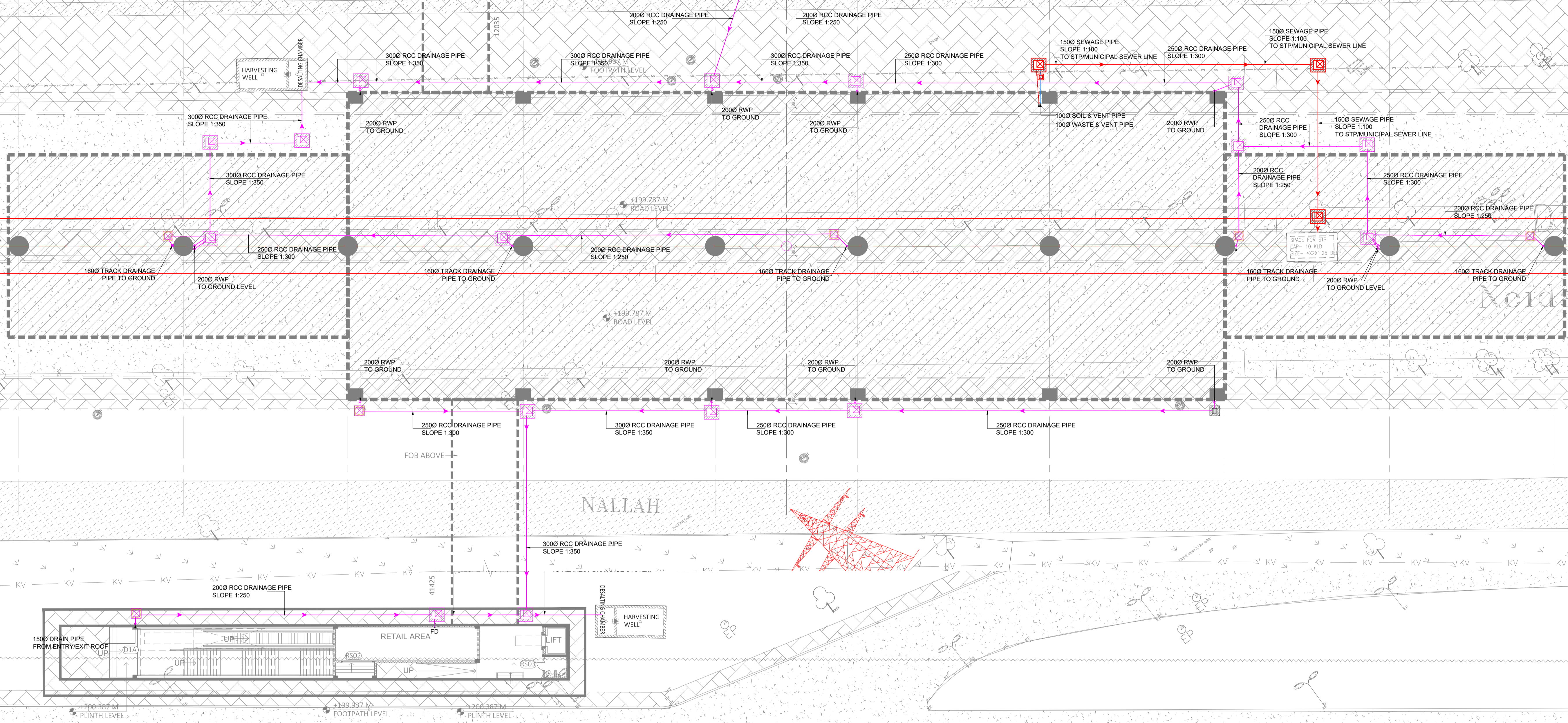
16000

15000

15000



Fencing



Noida

1 GROUND LEVEL PLAN
Scale: 1:200

GENERAL NOTES:
 1. ALL DIMENSIONS ARE IN MILLIMETER UNLESS MENTIONED.
 2. ALL DIMENSIONS ARE TO BE READ AND NOT MEASURED.
 3. ANY DISCREPANCY MUST BE BROUGHT TO THE NOTICE OF THE DMRC BEFORE EXECUTION OF WORK AT SITE.
 4. THIS DRAWING MUST BE READ IN CONJUNCTION WITH ALL RELEVANT ARCHITECTURAL, STRUCTURAL, PLUMBING & FIRE FIGHTING, ELECTRICAL AND TRAFFIC MANAGEMENT DRAWINGS.

REVISION	REFERENCE DRAWINGS	DRAWING NO.

REVISIONS				
REV.	DESCRIPTION	DATE	DRAWN BY	CHECKED BY
R0	ISSUED FIRST SUBMISSION OF TENDER DRAWINGS	27-03-2026	HARI LAL	R.K.

APPROVAL OF NMRC OFFICIALS				

Certified that this document has been designed and checked in accordance with DDC Quality Assurance Plan.

Architecture Design In-charge/ Coordinator
 Structure Design In-charge/ Coordinator
 E&M Design In-charge/ Coordinator

DETAIL DESIGN CONSULTANT :

ayesa

Ayesa India Private Limited
 D 99, 3rd Floor, Sector 2, Noida -201301, Gautam Budh Nagar, Uttar Pradesh
 Tel.: +(91) 120 490 8800, Email: delhi@ayesa.com

TENDER DESIGN

NOIDA METRO RAIL CORPORATION LTD.
 Block-III, 3rd Floor, Ganga Shopping Complex, Sector-29, Noida -201301, District Gautam Budh Nagar, Uttar Pradesh, India

PROJECT: CONTRACT NO: NGNECC-01- Part Design & Construction of Elevated Viaduct and 10 nos. of Elevated Stations for Extension Projects of NMRC's Aqua Line from Botanical Garden to Noida Sec-142 (from Chainage (+) 383.959 to 12130.143) and from Depot Station to Boraki MMTH (Chainage 28678.253 to 31263.482)

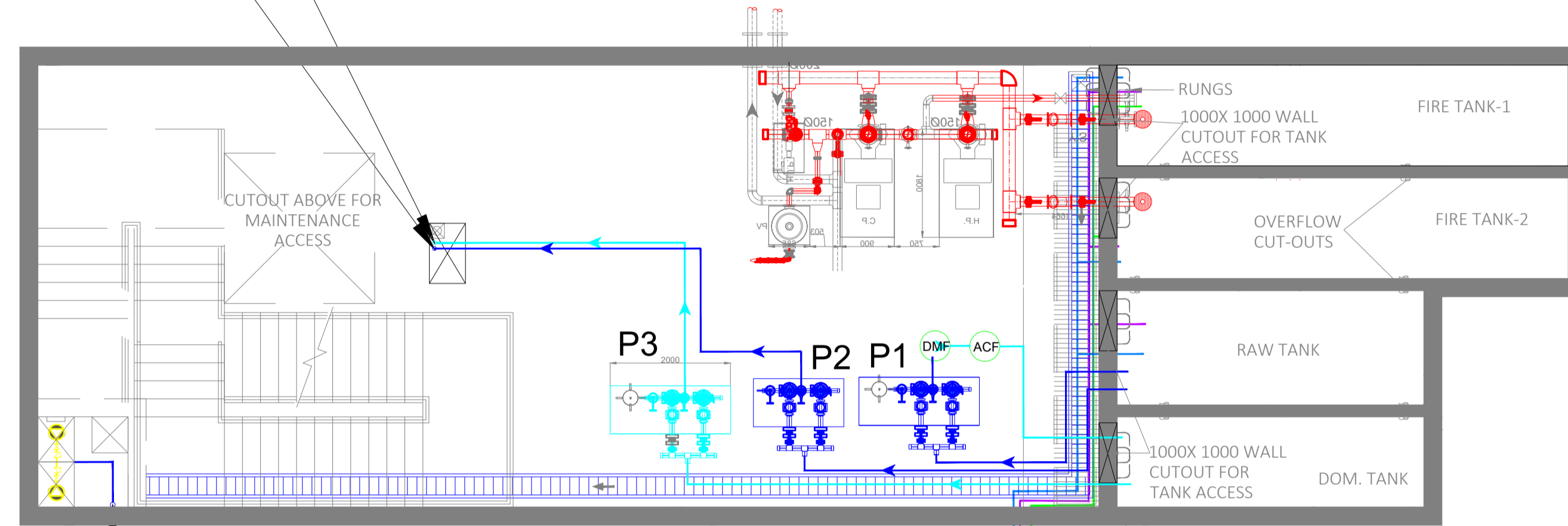
STATION: SECTOR -97 STATION

DRAWING TITLE: GROUND FLOOR PLAN -DRAINAGE & WATER SUPPLY LAYOUT

NORTH	DRAWN BY: HL	CHECKED BY: RK	VERIFIED BY: SJ	APPROVED BY: NG
	DATE: 27-03-2026	REV: R0	SCALE: N.T.S.	STATUS: TED
ORDER N°	DRAWING NUMBER: NGNE-S97-TED-PLB-11001	SHEET NO: 01 OF 01	SHEET SIZE: A-1	NGNEDDC

This drawing must not be either loaned, copied or otherwise reproduced in whole or in part or used for any purpose without the prior written permission of NMRC.

65Ø DOMESTIC WATER SUPPLY
PIPE TO CONCOURSE TOILET
& O.H. TANK
65Ø FLUSHING WATER SUPPLY
PIPE TO ROOF LEVEL O.H. TANK



80Ø SUMP RISER PIPE
TO EXTERNAL CATCH BASIN
80Ø TANKER SUPPLY
80Ø MUNICIPAL WATER SUPPLY
80Ø BORE WELL WATER SUPPLY
WATER TANKS & PUMP ROOM AT BASEMENT LEVEL

LEGEND:-

S.NO.	SYMBOL	DESCRIPTION
1		BUTTERFLY VALVE
2		NON RETURN VALVE
3		FLUSHING WATER SUPPLY LINE
4		DOMESTIC WATER SUPPLY LINE
5		DUAL MEDIA FILTER
6		ACTIVATE CARBON FILTER

SIZE OF FOUNDATION OF PUMPS		
ITEM	PUMPS	DRIVE
P1	RAW WATER FILTRATION PUMP	ELECTRIC
P2	RAW WATER TRANSFER PUMP	ELECTRIC
P3	DOMESTIC WATER TRANSFER PUMP	ELECTRIC

TENDER DESIGN

NOIDA METRO RAIL CORPORATION LTD.
Block-III, 3rd Floor, Ganga Shopping Complex, Sector-29, Noida -201301,
District Gautam Budh Nagar, Uttar Pradesh, India

PROJECT: CONTRACT NO: NGNECC-01- Part Design & Construction of Elevated Viaduct and 10 nos. of Elevated Stations for Extension Projects of NMRC's Aqua Line from Botanical Garden to Noida Sec-142 (from Chainage (-) 383.959 to 12130.143) and from Depot Station to Boraki MMTH (Chainage 28678.253 to 31263.482)

STATION: **SECTOR -97 STATION**

DRAWING TITLE: **PUMP ROOM-PLUMBING LAYOUT**

DRAWN BY: HL	CHECKED BY: RK	VERIFIED BY: SJ	APPROVED BY: NG
DATE: 27-03-2026	REV: R0	SCALE: N.T.S.	STATUS: TED
ORDER N°	DRAWING NUMBER: NGNE-S97-TED-PLB-12001	SHEET NO. 01 OF 01	SHEET SIZE A-1

NGNEDDC
PLUMBING

GENERAL NOTES:
1. ALL DIMENSIONS ARE IN MILLIMETER UNLESS MENTIONED.
2. ALL DIMENSIONS ARE TO BE READ AND NOT MEASURED.
3. ANY DISCREPANCY MUST BE BROUGHT TO THE NOTICE OF THE NMRC BEFORE EXECUTION OF WORK AT SITE.
4. THIS DRAWING MUST BE READ IN CONJUNCTION WITH ALL RELEVANT ARCHITECTURAL, STRUCTURAL, PLUMBING & FIRE FIGHTING, ELECTRICAL AND TRAFFIC MANAGEMENT DRAWINGS.

REVISION	DESCRIPTION	DRAWING NO.
R0	ISSUED FIRST SUBMISSION OF TENDER DRAWINGS	

REV.	DESCRIPTION	DATE	DRAWN BY	CHECKED BY
R0	ISSUED FIRST SUBMISSION OF TENDER DRAWINGS	27-03-2026	HARI LAL	R.K.

APPROVAL OF NMRC OFFICIALS				

Certified that this document has been designed and checked in accordance with DDC Quality Assurance Plan.

Authorised Signatory for DDC.
NGNEDDC Project Manager

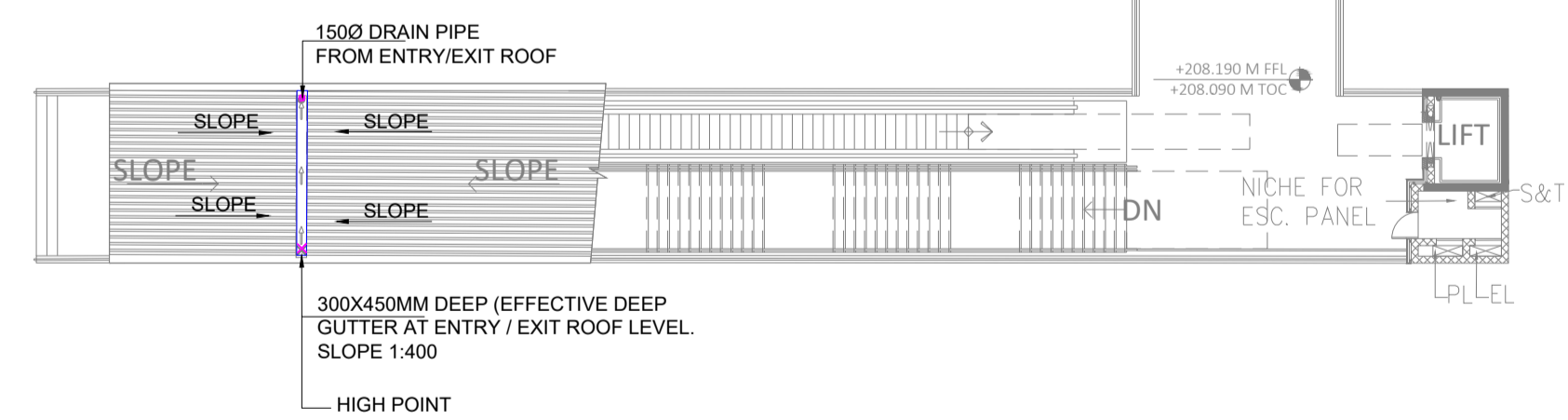
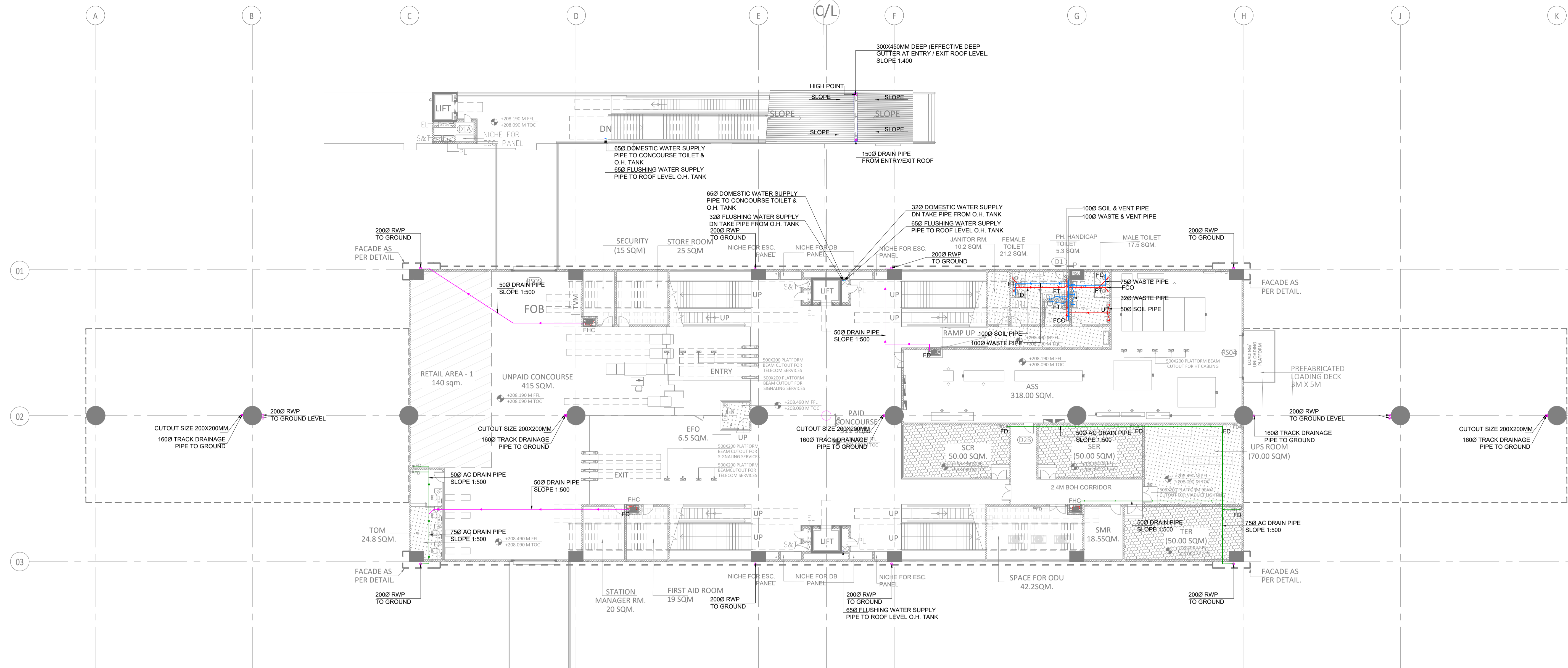
Architecture Design In-charge/ Coordinator	Structure Design In-charge/ Coordinator	E&M Design In-charge/ Coordinator
-----------------------------------------------	--------------------------------------------	--------------------------------------

DETAIL DESIGN CONSULTANT :

ayesa
Ayesa India Private Limited
D 99, 3rd Floor, Sector 2, Noida -201301, Gautam
Budh Nagar, Uttar Pradesh
Tel.: +(91) 120 490 8800, Email: delhi@ayesa.com

THIS DRAWING IS THE PROPERTY OF Noida Metro Rail Corporation Ltd.

This drawing must not be either loaned, copied or otherwise reproduced in whole or in part or used for any purpose without the prior written permission of NMRC.



GENERAL NOTES

- ALL DIMENSIONS ARE IN MILLIMETER UNLESS MENTIONED.
- ALL DIMENSIONS ARE TO BE READ AND NOT MEASURED.
- ANY DISCREPANCY MUST BE BROUGHT TO THE NOTICE OF THE DMRC BEFORE EXECUTION OF WORK AT SITE.
- THIS DRAWING MUST BE READ IN CONJUNCTION WITH ALL RELEVANT ARCHITECTURAL, STRUCTURAL, PLUMBING & FIRE FIGHTING, ELECTRICAL AND TRAFFIC MANAGEMENT DRAWINGS.

REVISION	DESCRIPTION	DRAWING NO.

REVISIONS				
REV.	DESCRIPTION	DATE	DRAWN BY	CHECKED BY
R0	ISSUED FIRST SUBMISSION OF TENDER DRAWINGS	27-03-2026	HARI LAL	R.K.

APPROVAL OF NMRC OFFICIALS				
NO.	NAME	DESIGNATION	DATE	SIGNATURE

Certified that this document has been designed and checked in accordance with DDC Quality Assurance Plan.

Authorised Signatory for DDC:
 NGNEDDC Project Manager

Architecture Design In-charge/ Coordinator	Structure Design In-charge/ Coordinator	E&M Design In-charge/ Coordinator
-----------------------------------------------	--------------------------------------------	--------------------------------------

DETAIL DESIGN CONSULTANT :

ayesa
 Ayesa India Private Limited
 D 99, 3rd Floor, Sector 2, Noida -201301, Gautam
 Budh Nagar, Uttar Pradesh
 Tel.: +(91) 120 490 8800, Email: delhi@ayesa.com

TENDER DESIGN

NOIDA METRO RAIL CORPORATION LTD.
 Block-III, 3rd Floor, Ganga Shopping Complex, Sector-29, Noida -201301,
 District Gautam Budh Nagar, Uttar Pradesh, India

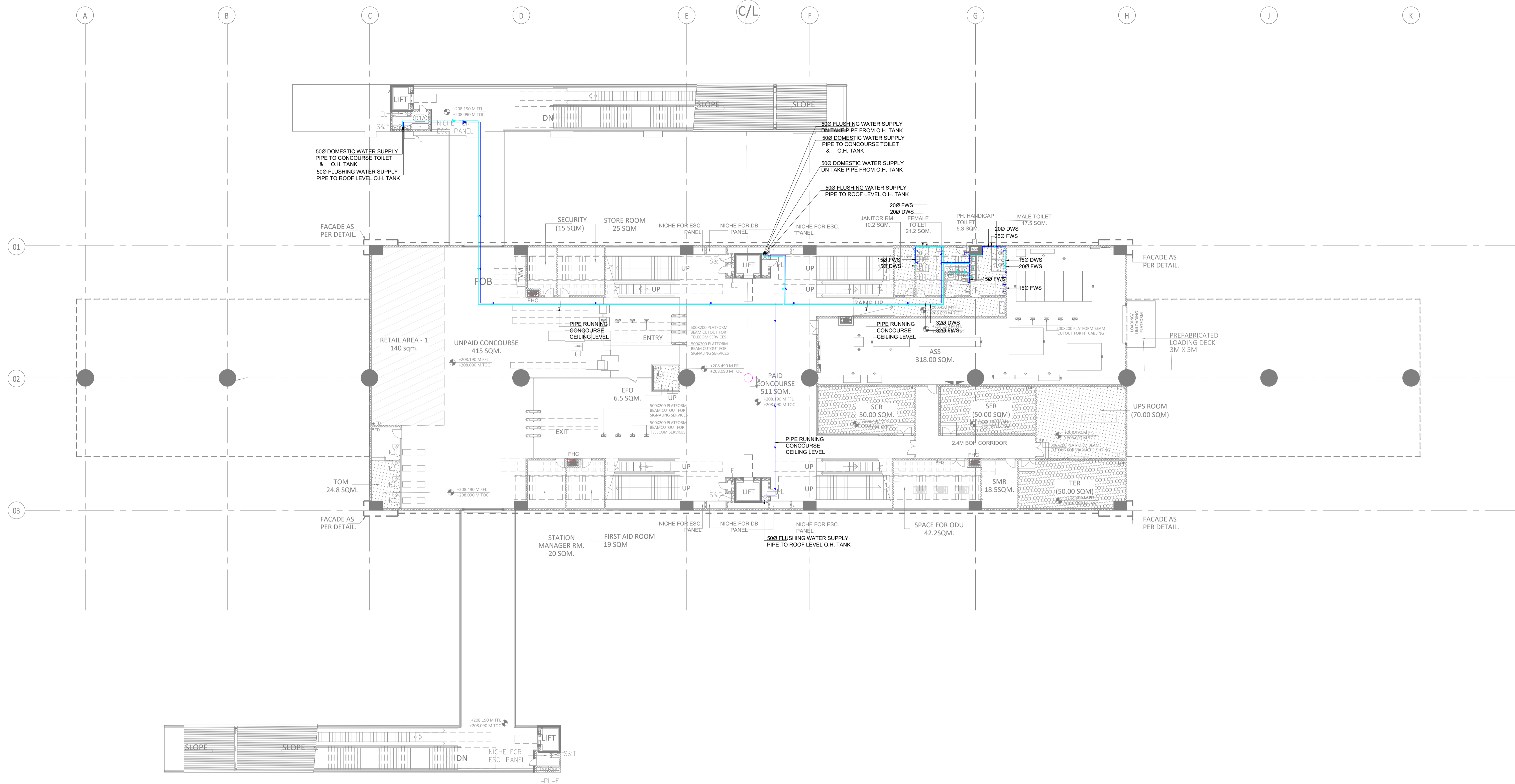
PROJECT: CONTRACT NO: NGNECC-01- Part Design & Construction of Elevated Viaduct and 10 nos. of Elevated Stations for Extension Projects of NMRC's Aqua Line from Botanical Garden to Noida Sec-142 (from Chainage (-) 383.959 to 12130.143) and from Depot Station to Boraki MMTH (Chainage 28678.253 to 31263.482)

STATION: SECTOR -97 STATION

DRAWING TITLE: CONCOURSE LEVEL PLAN -DRAINAGE LAYOUT

NORTH	DRAWN BY: HL	CHECKED BY: RK	VERIFIED BY: SJ	APPROVED BY: NG
	DATE: 27-03-2026	REV: R0	SCALE: N.T.S.	STATUS: TED
ORDER N°	DRAWING NUMBER: NGNE-S97-TED-PLB-13001		SHEET NO. 01 OF 01	SHEET SIZE A-1

This drawing must not be either loaned, copied or otherwise reproduced in whole or in part or used for any purpose without the prior written permission of NMRC.



TENDER DESIGN

NOIDA METRO RAIL CORPORATION LTD.
 Block-III, 3rd Floor, Ganga Shopping Complex, Sector-29, Noida -201301,
 District Gautam Budh Nagar, Uttar Pradesh, India

PROJECT: CONTRACT NO: NGNECC-01- Part Design & Construction of Elevated Viaduct and 10 nos. of Elevated Stations for Extension Projects of NMR's Aqua Line from Botanical Garden to Noida Sec-142 (from Chainage (-) 383.959 to 12130.143) and from Depot Station to Boraki MMTH (Chainage 28678.253 to 31263.482)

STATION: SECTOR -97 STATION

DRAWING TITLE: CONCOURSE LEVEL PLAN -WATER SUPPLY LAYOUT

NORTH	DRAWN BY: HL	CHECKED BY: RK	VERIFIED BY: SJ	APPROVED BY: NG
	DATE: 27-03-2026	REV: R0	SCALE: N.T.S.	STATUS: TED
ORDER N°	DRAWING NUMBER: NGNE-S97-TED-PLB-13002	SHEET NO. 01 OF 01	SHEET SIZE A-1	NGNEDDC

This drawing must not be either loaned, copied or otherwise reproduced in whole or in part or used for any purpose without the prior written permission of NMR.

GENERAL NOTES	
1. ALL DIMENSIONS ARE IN MILLIMETER UNLESS MENTIONED.	
2. ALL DIMENSIONS ARE TO BE READ AND NOT MEASURED.	
3. ANY DISCREPANCY MUST BE BROUGHT TO THE NOTICE OF THE DMRC BEFORE EXECUTION OF WORK AT SITE.	
4. THIS DRAWING MUST BE READ IN CONJUNCTION WITH ALL RELEVANT ARCHITECTURAL, STRUCTURAL, PLUMBING & FIRE FIGHTING, ELECTRICAL AND TRAFFIC MANAGEMENT DRAWINGS.	

REVISION	DESCRIPTION	DRAWING NO.

REVISIONS				
REV.	DESCRIPTION	DATE	DRAWN BY	CHECKED BY
R0	ISSUED FIRST SUBMISSION OF TENDER DRAWINGS	27-03-2026	HARI LAL	R.K.

APPROVAL OF NMRC OFFICIALS				
NO.	NAME	DESIGNATION	DATE	SIGNATURE

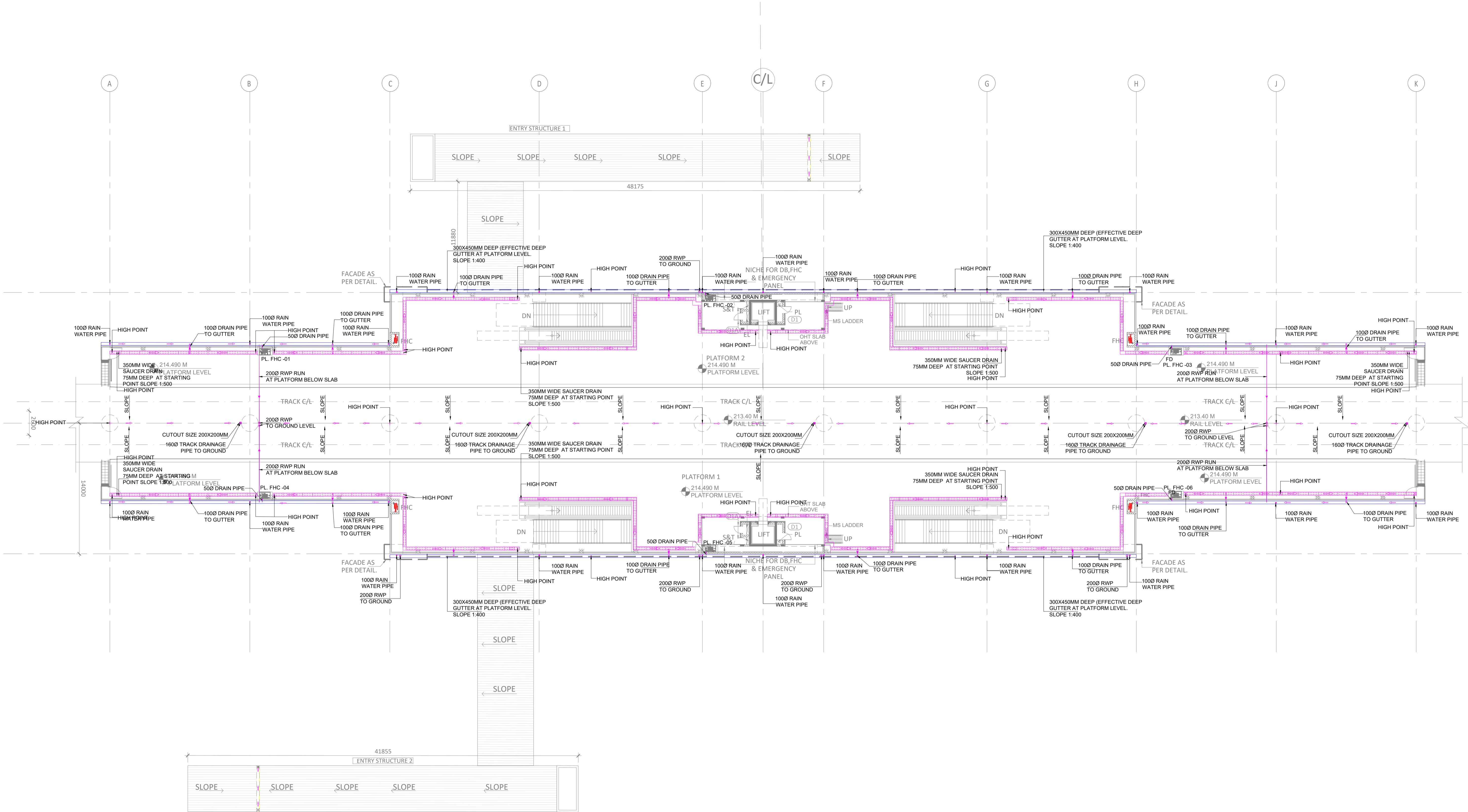
Certified that this document has been designed and checked in accordance with DDC Quality Assurance Plan.

Authorised Signatory for DDC:
 NGNEDDC Project Manager

Architecture Design In-charge/ Coordinator	Structure Design In-charge/ Coordinator	E&M Design In-charge/ Coordinator
-----------------------------------------------	--------------------------------------------	--------------------------------------

DETAIL DESIGN CONSULTANT :

ayesa
 Ayesa India Private Limited
 D 99, 3rd Floor, Sector 2, Noida -201301, Gautam
 Budh Nagar, Uttar Pradesh
 Tel.: +(91) 120 490 8800, Email: delhi@ayesa.com



GENERAL NOTES

1. ALL DIMENSIONS ARE IN MILLIMETER UNLESS MENTIONED.
2. ALL DIMENSIONS ARE TO BE READ AND NOT MEASURED.
3. ANY DISCREPANCY MUST BE BROUGHT TO THE NOTICE OF THE DMRC BEFORE EXECUTION OF WORK AT SITE.
4. THIS DRAWING MUST BE READ IN CONJUNCTION WITH ALL RELEVANT ARCHITECTURAL, STRUCTURAL, PLUMBING & FIRE FIGHTING, ELECTRICAL AND TRAFFIC MANAGEMENT DRAWINGS.

REVISION	DESCRIPTION	DRAWING NO.

REV.	DESCRIPTION	DATE	DRAWN BY	CHECKED BY
R0	ISSUED FIRST SUBMISSION OF TENDER DRAWINGS	27-03-2026	HARI LAL	R.K.

APPROVAL OF NMRC OFFICIALS

Certified that this document has been designed and checked in accordance with DDC Quality Assurance Plan.

Authorised Signatory for DDC:
 NGNEDDC Project Manager

Architecture Design In-charge/ Coordinator Structure Design In-charge/ Coordinator E&M Design In-charge/ Coordinator

DETAIL DESIGN CONSULTANT :

ayesa
 Ayesa India Private Limited
 D 99, 3rd Floor, Sector 2, Noida -201301, Gautam Budh Nagar, Uttar Pradesh
 Tel.: +(91) 120 490 8800, Email: delhi@ayesa.com

TENDER DESIGN

NOIDA METRO RAIL CORPORATION LTD.
 Block-III, 3rd Floor, Ganga Shopping Complex, Sector-29, Noida -201301, District Gautam Budh Nagar, Uttar Pradesh, India

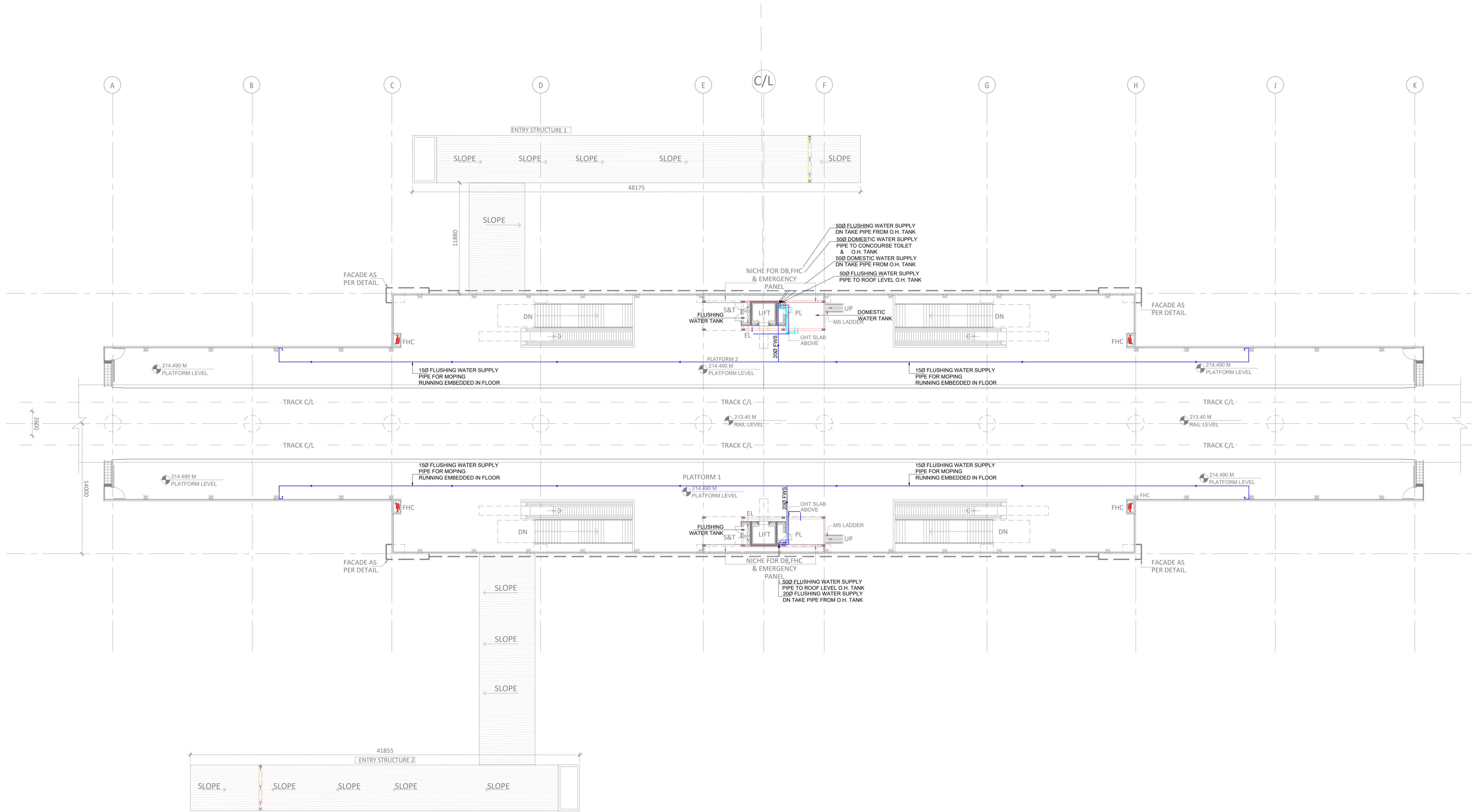
PROJECT: CONTRACT NO: NGNECC-01- Part Design & Construction of Elevated Viaduct and 10 nos. of Elevated Stations for Extension Projects of NMR's Aqua Line from Botanical Garden to Noida Sec-142 (from Chainage (-) 383.959 to 12130.143) and from Depot Station to Boraki MMTH (Chainage 28678.253 to 31263.482)

STATION: SECTOR -97 STATION

DRAWING TITLE: PLATFORM LEVEL PLAN-DRAINAGE LAYOUT

NORTH	DRAWN BY: HL	CHECKED BY: RK	VERIFIED BY: SJ	APPROVED BY: NG
	DATE: 27-03-2026	REV: R0	SCALE: N.T.S.	STATUS: TED
ORDER N°	DRAWING NUMBER: NGNE-S97-TED-PLB-14001	SHEET NO. 01 OF 01	SHEET SIZE A-1	

This drawing must not be either loaned, copied or otherwise reproduced in whole or in part or used for any purpose without the prior written permission of NMRC.



GENERAL NOTES

1. ALL DIMENSIONS ARE IN MILLIMETER UNLESS MENTIONED.
2. ALL DIMENSIONS ARE TO BE READ AND NOT MEASURED.
3. ANY DISCREPANCY MUST BE BROUGHT TO THE NOTICE OF THE DMRC BEFORE EXECUTION OF WORK AT SITE.
4. THIS DRAWING MUST BE READ IN CONJUNCTION WITH ALL RELEVANT ARCHITECTURAL, STRUCTURAL, PLUMBING & FIRE FIGHTING, ELECTRICAL AND TRAFFIC MANAGEMENT DRAWINGS.

REVISION	DESCRIPTION	DRAWING NO.

REVISIONS				
REV.	DESCRIPTION	DATE	DRAWN BY	CHECKED BY
R0	ISSUED FIRST SUBMISSION OF TENDER DRAWINGS	27-03-2026	HARI LAL	R.K.

APPROVAL OF NMRC OFFICIALS				
NO.	NAME	DESIGNATION	DATE	SIGNATURE

Certified that this document has been designed and checked in accordance with DDC Quality Assurance Plan.

Authorised Signatory for DDC:
 NGNEDDC Project Manager

Architecture Design In-charge/ Coordinator	Structure Design In-charge/ Coordinator	E&M Design In-charge/ Coordinator
-----------------------------------------------	--------------------------------------------	--------------------------------------

DETAIL DESIGN CONSULTANT :

ayesa
 Ayesa India Private Limited
 D 99, 3rd Floor, Sector 2, Noida -201301, Gautam
 Budh Nagar, Uttar Pradesh
 Tel.: +(91) 120 490 8800, Email: delhi@ayesa.com

TENDER DESIGN

NOIDA METRO RAIL CORPORATION LTD.
 Block-III, 3rd Floor, Ganga Shopping Complex, Sector-29, Noida -201301,
 District Gautam Budh Nagar, Uttar Pradesh, India

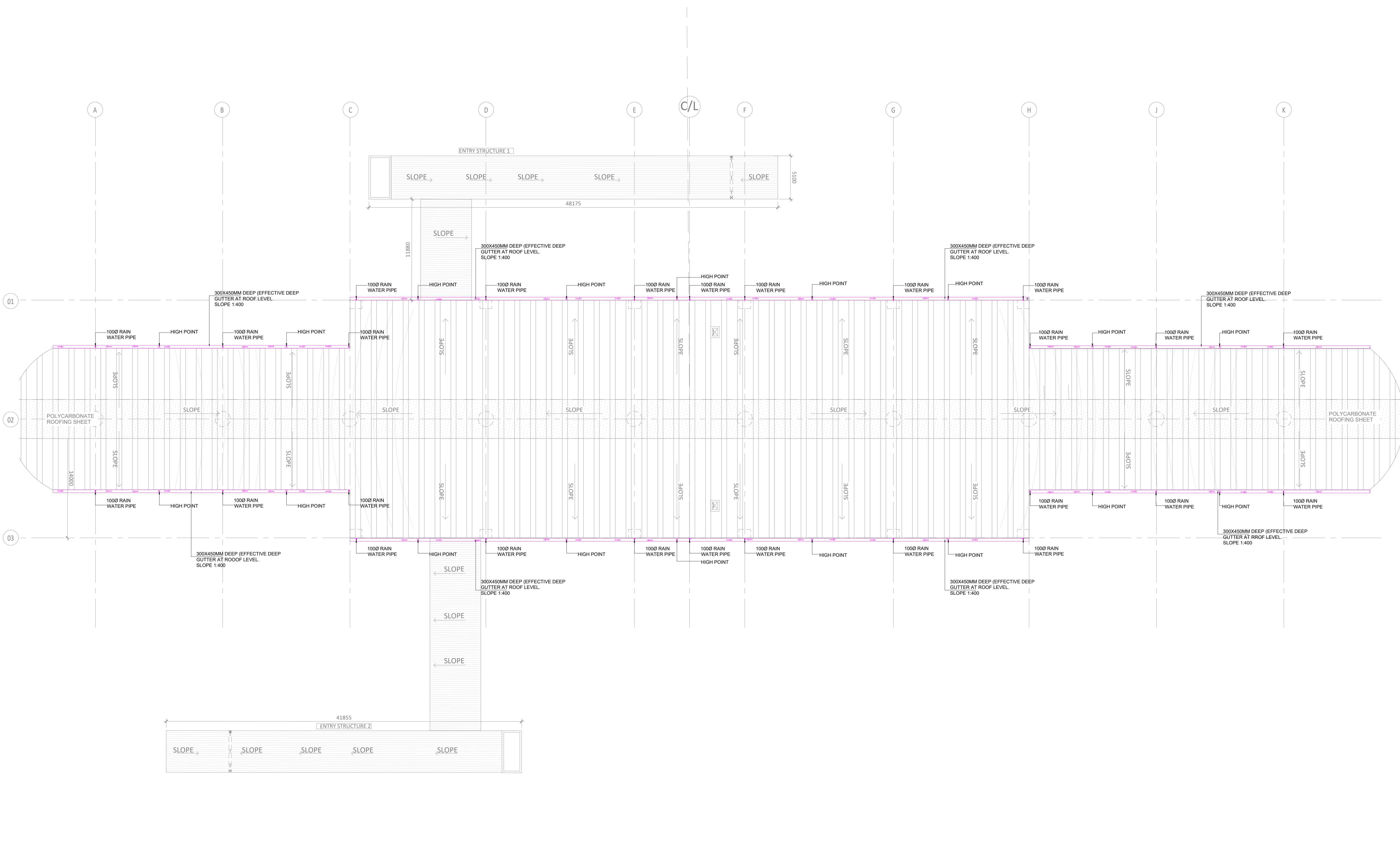
PROJECT: CONTRACT NO: NGNECC-01- Part Design & Construction of Elevated Viaduct and 10 nos. of Elevated Stations for Extension Projects of NMRC's Aqua Line from Botanical Garden to Noida Sec-142 (from Chainage (-) 383.959 to 12130.143) and from Depot Station to Boraki MMTH (Chainage 28678.253 to 31263.482)

STATION: SECTOR -97 STATION

DRAWING TITLE: PLATFORM LEVEL PLAN-WATER SUPPLY LAYOUT

NORTH	DRAWN BY: HL	CHECKED BY: RK	VERIFIED BY: SJ	APPROVED BY: NG
	DATE: 27-03-2026	REV: R0	SCALE: N.T.S.	STATUS: TED
ORDER N°	DRAWING NUMBER: NGNE-S97-TED-PLB-14002	SHEET NO. 01 OF 01	SHEET SIZE A-1	NGNEDDC

This drawing must not be either loaned, copied or otherwise reproduced in whole or in part or used for any purpose without the prior written permission of NMRC.



GENERAL NOTES

1. ALL DIMENSIONS ARE IN MILLIMETER UNLESS MENTIONED.
2. ALL DIMENSIONS ARE TO BE READ AND NOT MEASURED.
3. ANY DISCREPANCY MUST BE BROUGHT TO THE NOTICE OF THE DMRC BEFORE EXECUTION OF WORK AT SITE.
4. THIS DRAWING MUST BE READ IN CONJUNCTION WITH ALL RELEVANT ARCHITECTURAL, STRUCTURAL, PLUMBING & FIRE FIGHTING, ELECTRICAL AND TRAFFIC MANAGEMENT DRAWINGS.

REVISION	DESCRIPTION	DRAWING NO.

REV.	DESCRIPTION	DATE	DRAWN BY	CHECKED BY
R0	ISSUED FIRST SUBMISSION OF TENDER DRAWINGS	27-03-2026	HARI LAL	R.K.

APPROVAL OF NMRC OFFICIALS

Certified that this document has been designed and checked in accordance with DDC Quality Assurance Plan.

Authorised Signatory for DDC.
NGNEDDC Project Manager

Architecture Design In-charge/ Coordinator	Structure Design In-charge/ Coordinator	E&M Design In-charge/ Coordinator
-----------------------------------------------	--------------------------------------------	--------------------------------------

DETAIL DESIGN CONSULTANT :

ayesa

Ayesa India Private Limited
D 99, 3rd Floor, Sector 2, Noida -201301, Gautam
Budh Nagar, Uttar Pradesh
Tel.: +(91) 120 490 8800, Email: delhi@ayesa.com

TENDER DESIGN

NOIDA METRO RAIL CORPORATION LTD.
Block-III, 3rd Floor, Ganga Shopping Complex, Sector-29, Noida -201301,
District Gautam Budh Nagar, Uttar Pradesh, India

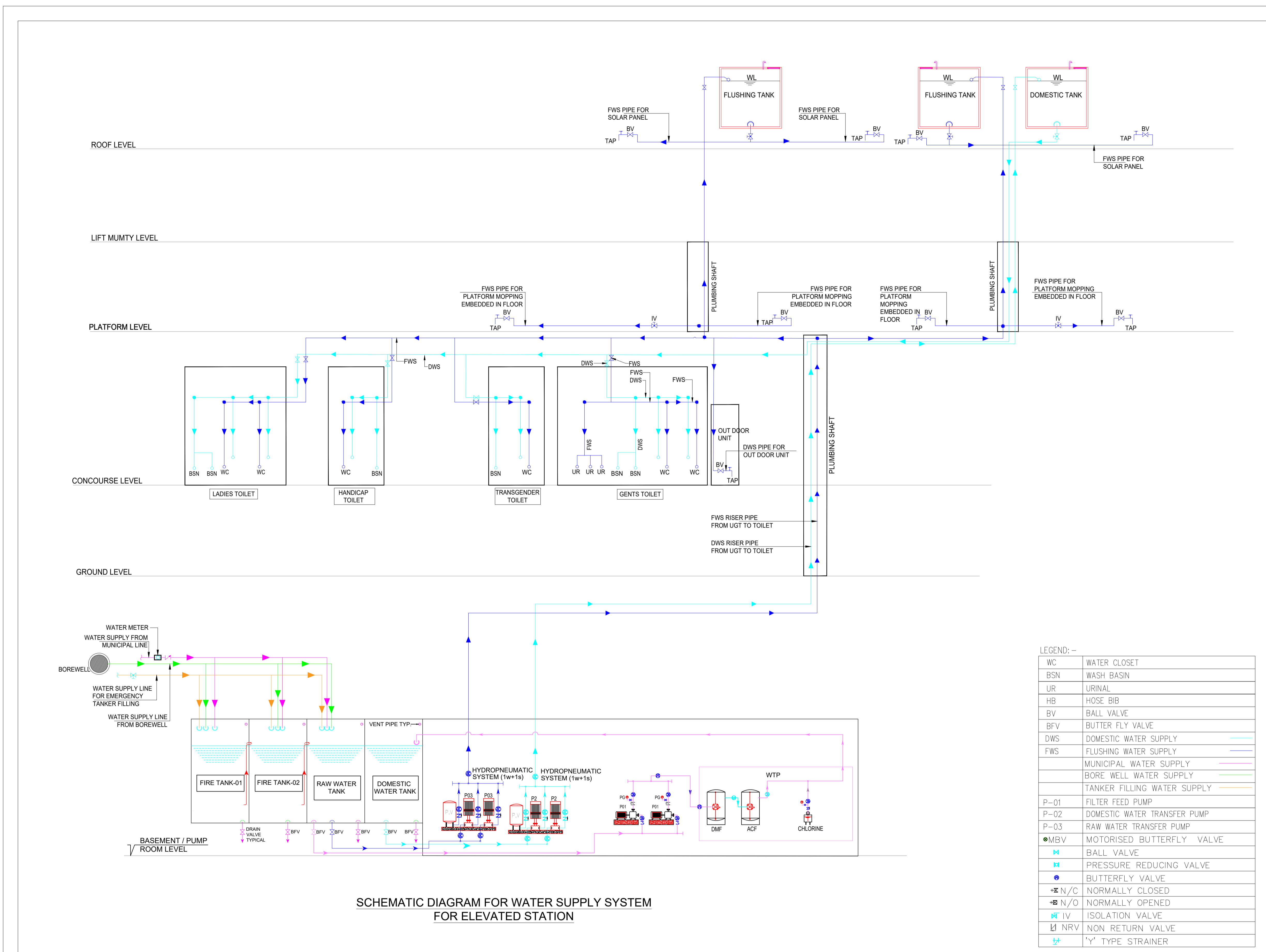
PROJECT: CONTRACT NO: NGNECC-01- Part Design & Construction of Elevated Viaduct and 10 nos. of Elevated Stations for Extension Projects of NMRC's Aqua Line from Botanical Garden to Noida Sec-142 (from Chainage (-) 383.959 to 12130.143) and from Depot Station to Boraki MMTH (Chainage 28678.253 to 31263.482)

STATION: SECTOR -97 STATION

DRAWING TITLE: ROOF LEVEL PLAN-DRAINAGE LAYOUT

NORTH ORDER N° DRAWING NUMBER: NGNE-S97-TED-PLB-15001	DRAWN BY: <i>Hari Lal</i> DATE: 27-03-2026 REV: R0	CHECKED BY: <i>R.K.</i> VERIFIED BY: <i>S.J.</i> SCALE: N.T.S. SHEET NO. 01 OF 01	APPROVED BY: <i>NG</i> STATUS: TED SHEET SIZE: A-1	NGNEDDC
----------------------------------------------------------------	----------------------------------------------------------	--------------------------------------------------------------------------------------------	----------------------------------------------------------	---------

This drawing must not be either loaned, copied or otherwise reproduced in whole or in part or used for any purpose without the prior written permission of NMRC.



LEGEND: -

WC	WATER CLOSET
BSN	WASH BASIN
UR	URINAL
HB	HOSE BIB
BV	BALL VALVE
BFV	BUTTER FLY VALVE
DWS	DOMESTIC WATER SUPPLY
FWS	FLUSHING WATER SUPPLY
	MUNICIPAL WATER SUPPLY
	BORE WELL WATER SUPPLY
	TANKER FILLING WATER SUPPLY
P-01	FILTER FEED PUMP
P-02	DOMESTIC WATER TRANSFER PUMP
P-03	RAW WATER TRANSFER PUMP
MBV	MOTORIZED BUTTERFLY VALVE
	BALL VALVE
	PRESSURE REDUCING VALVE
	BUTTERFLY VALVE
+N/C	NORMALLY CLOSED
+N/O	NORMALLY OPENED
IV	ISOLATION VALVE
NRV	NON RETURN VALVE
Y	'Y' TYPE STRAINER

SCHEMATIC DIAGRAM FOR WATER SUPPLY SYSTEM FOR ELEVATED STATION

TENDER DESIGN

NOIDA METRO RAIL CORPORATION LTD.
 Block-III, 3rd Floor, Ganga Shopping Complex, Sector-29, Noida -201301, District Gautam Budh Nagar, Uttar Pradesh, India

PROJECT: CONTRACT NO: NGNECC-01- Part Design & Construction of Elevated Viaduct and 10 nos. of Elevated Stations for Extension Projects of NMR's Aqua Line from Botanical Garden to Noida Sec-142 (from Chainage (-) 383.959 to 12130.143) and from Depot Station to Boraki MMTH (Chainage 28678.253 to 31263.482)

STATION: NOIDA OFFICE

DRAWING TITLE: SCHEMATIC DIAGRAM FOR WATER SUPPLY SYSTEM

NORTH	DRAWN BY: HL	CHECKED BY: RK	VERIFIED BY: SJ	APPROVED BY: NG
	DATE: 27-03-2026	REV: R0	SCALE: N.T.S.	STATUS: TED
ORDER N°	DRAWING NUMBER: NGNE-NOFC-TED-PLB-10006	SHEET NO. 01 OF 01	SHEET SIZE A-1	

NGNEDDC PLUMBING

Certified that this document has been designed and checked in accordance with DDC Quality Assurance Plan.

Authorised Signatory for DDC: NGNEDDC Project Manager

Architecture Design In-charge/ Coordinator	Structure Design In-charge/ Coordinator	E&M Design In-charge/ Coordinator
--------------------------------------------	-----------------------------------------	-----------------------------------

DETAIL DESIGN CONSULTANT :

ayesa

Ayesa India Private Limited
 D 99, 3rd Floor, Sector 2, Noida -201301, Gautam Budh Nagar, Uttar Pradesh
 Tel.: +(91) 120 490 8800, Email: delhi@ayesa.com

APPROVAL OF NMRC OFFICIALS

--	--	--	--	--	--	--	--

REVISIONS

REV.	DESCRIPTION	DATE	DRAWN BY	CHECKED BY
R0	ISSUED FIRST SUBMISSION OF TENDER DRAWINGS	27-03-2026	HARI LAL	R.K.

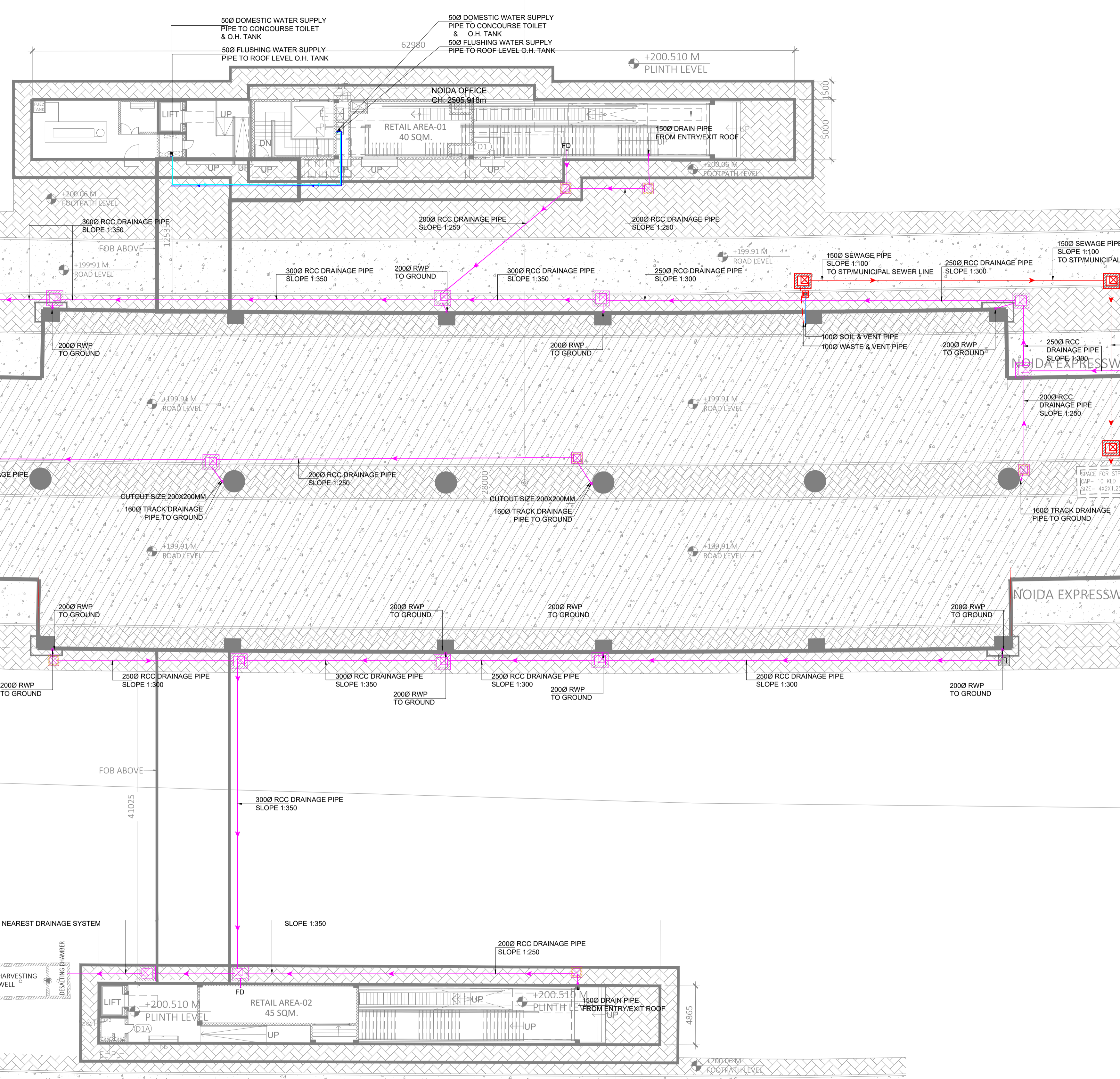
GENERAL NOTES

- ALL DIMENSIONS ARE IN MILLIMETER UNLESS MENTIONED.
- ALL DIMENSIONS ARE TO BE READ AND NOT MEASURED.
- ANY DISCREPANCY MUST BE BROUGHT TO THE NOTICE OF THE DMRC BEFORE EXECUTION OF WORK AT SITE.
- THIS DRAWING MUST BE READ IN CONJUNCTION WITH ALL RELEVANT ARCHITECTURAL, STRUCTURAL, PLUMBING & FIRE FIGHTING, ELECTRICAL AND TRAFFIC MANAGEMENT DRAWINGS.

REFERENCE DRAWINGS

REVISION	DESCRIPTION	DRAWING NO.

THIS DRAWING IS THE PROPERTY OF Noida Metro Rail Corporation Ltd.



GENERAL NOTES

1. ALL DIMENSIONS ARE IN MILLIMETER UNLESS MENTIONED.
2. ALL DIMENSIONS ARE TO BE READ AND NOT MEASURED.
3. ANY DISCREPANCY MUST BE BROUGHT TO THE NOTICE OF THE DMRC BEFORE EXECUTION OF WORK AT SITE.
4. THIS DRAWING MUST BE READ IN CONJUNCTION WITH ALL RELEVANT ARCHITECTURAL, STRUCTURAL, PLUMBING & FIRE FIGHTING, ELECTRICAL AND TRAFFIC MANAGEMENT DRAWINGS.

REVISION	DESCRIPTION	DRAWING NO.
R0	ISSUED FIRST SUBMISSION OF TENDER DRAWINGS	

REV.	DESCRIPTION	DATE	DRAWN BY	CHECKED BY
R0	ISSUED FIRST SUBMISSION OF TENDER DRAWINGS	27-03-2026	HARI LAL	R.K.

APPROVAL OF NMRC OFFICIALS

--	--	--	--	--

Certified that this document has been designed and checked in accordance with DDC Quality Assurance Plan.

Authorised Signatory for DDC:
 NGNEDDC Project Manager

Architecture Design In-charge/ Coordinator
 Structure Design In-charge/ Coordinator
 E&M Design In-charge/ Coordinator

DETAIL DESIGN CONSULTANT :

ayesa
 Ayesa India Private Limited
 D 99, 3rd Floor, Sector 2, Noida -201301, Gautam Budh Nagar, Uttar Pradesh
 Tel.: +(91) 120 490 8800, Email: delhi@ayesa.com

TENDER DESIGN

NOIDA METRO RAIL CORPORATION LTD.
 Block-III, 3rd Floor, Ganga Shopping Complex, Sector-29, Noida -201301, District Gautam Budh Nagar, Uttar Pradesh, India

PROJECT: CONTRACT NO: NGNECC-01- Part Design & Construction of Elevated Viaduct and 10 nos. of Elevated Stations for Extension Projects of NMRC's Aqua Line from Botanical Garden to Noida Sec-142 (from Chainage (+) 383.959 to 12130.143) and from Depot Station to Boraki MMTH (Chainage 28678.253 to 31263.482)

STATION: NOIDA OFFICE

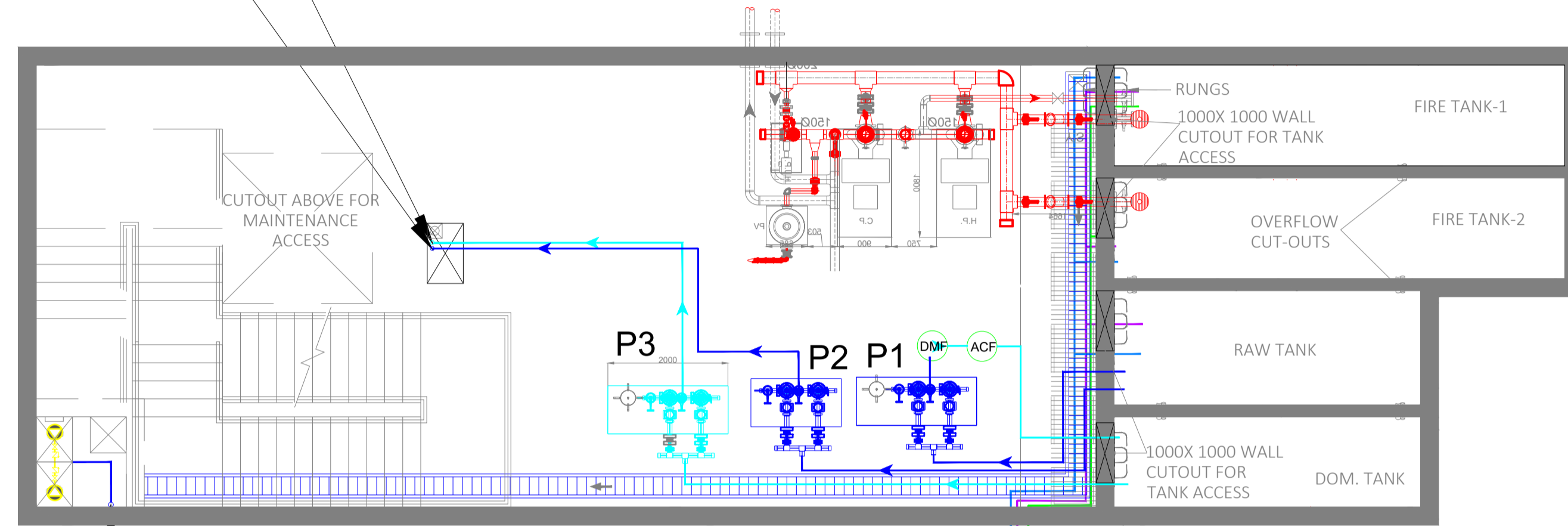
DRAWING TITLE: GROUND FLOOR PLAN-DRAINAGE & WATER SUPPLY LAYOUT

NORTH	DRAWN BY: HL	CHECKED BY: RK	VERIFIED BY: SJ	APPROVED BY: NG
DATE: 27-03-2026	REV: R0	SCALE: N.T.S.	SHEET NO: 01 OF 01	SHEET SIZE: A-1

ORDER N°: NGNE-NOFC-TED-PLB-11001

This drawing must not be either loaned, copied or otherwise reproduced in whole or in part or used for any purpose without the prior written permission of NMRC.

50Ø DOMESTIC WATER SUPPLY PIPE TO CONCOURSE TOILET & O.H. TANK
 50Ø FLUSHING WATER SUPPLY PIPE TO ROOF LEVEL O.H. TANK



80Ø SUMP RISER PIPE TO EXTERNAL CATCH BASIN
 80Ø TANKER SUPPLY
 80Ø MUNICIPAL WATER SUPPLY
 80Ø BORE WELL WATER SUPPLY
WATER TANKS & PUMP ROOM AT BASEMENT LEVEL

LEGEND:-

S.NO.	SYMBOL	DESCRIPTION
1	H	BUTTERFLY VALVE
2	H	NON RETURN VALVE
3	—	FLUSHING WATER SUPPLY LINE
4	—	DOMESTIC WATER SUPPLY LINE
5	○	DUAL MEDIA FILTER
6	○	ACTIVATE CARBON FILTER

SIZE OF FOUNDATION OF PUMPS		
ITEM	PUMPS	DRIVE
P1	RAW WATER FILTRATION PUMP	ELECTRIC
P2	RAW WATER TRANSFER PUMP	ELECTRIC
P3	DOMESTIC WATER TRANSFER PUMP	ELECTRIC

GENERAL NOTES:
 1. ALL DIMENSIONS ARE IN MILLIMETER UNLESS MENTIONED.
 2. ALL DIMENSIONS ARE TO BE READ AND NOT MEASURED.
 3. ANY DISCREPANCY MUST BE BROUGHT TO THE NOTICE OF THE DMRC BEFORE EXECUTION OF WORK AT SITE.
 4. THIS DRAWING MUST BE READ IN CONJUNCTION WITH ALL RELEVANT ARCHITECTURAL, STRUCTURAL, PLUMBING & FIRE FIGHTING, ELECTRICAL AND TRAFFIC MANAGEMENT DRAWINGS.

REVISIONS				
REV.	DESCRIPTION	DATE	DRAWN BY	CHECKED BY
R0	ISSUED FIRST SUBMISSION OF TENDER DRAWINGS	27-03-2026	HARI LAL	R.K.

APPROVAL OF NMRC OFFICIALS				
NO.	NAME	DESIGNATION	DATE	REMARKS

Certified that this document has been designed and checked in accordance with DDC Quality Assurance Plan.

Authorised Signatory for DDC.
 NGNEDDC Project Manager

Architecture Design In-charge/ Coordinator
 Structure Design In-charge/ Coordinator
 E&M Design In-charge/ Coordinator

DETAIL DESIGN CONSULTANT : **ayesa**
 Ayesa India Private Limited
 D 99, 3rd Floor, Sector 2, Noida -201301, Gautam Budh Nagar, Uttar Pradesh
 Tel.: +(91) 120 490 8800, Email: delhi@ayesa.com

TENDER DESIGN

NOIDA METRO RAIL CORPORATION LTD.
 Block-III, 3rd Floor, Ganga Shopping Complex, Sector-29, Noida -201301, District Gautam Budh Nagar, Uttar Pradesh, India

PROJECT: CONTRACT NO: NGNECC-01- Part Design & Construction of Elevated Viaduct and 10 nos. of Elevated Stations for Extension Projects of NMRC's Aqua Line from Botanical Garden to Noida Sec-142 (from Chainage (-) 383.959 to 12130.143) and from Depot Station to Boraki MMTH (Chainage 28678.253 to 31263.482)

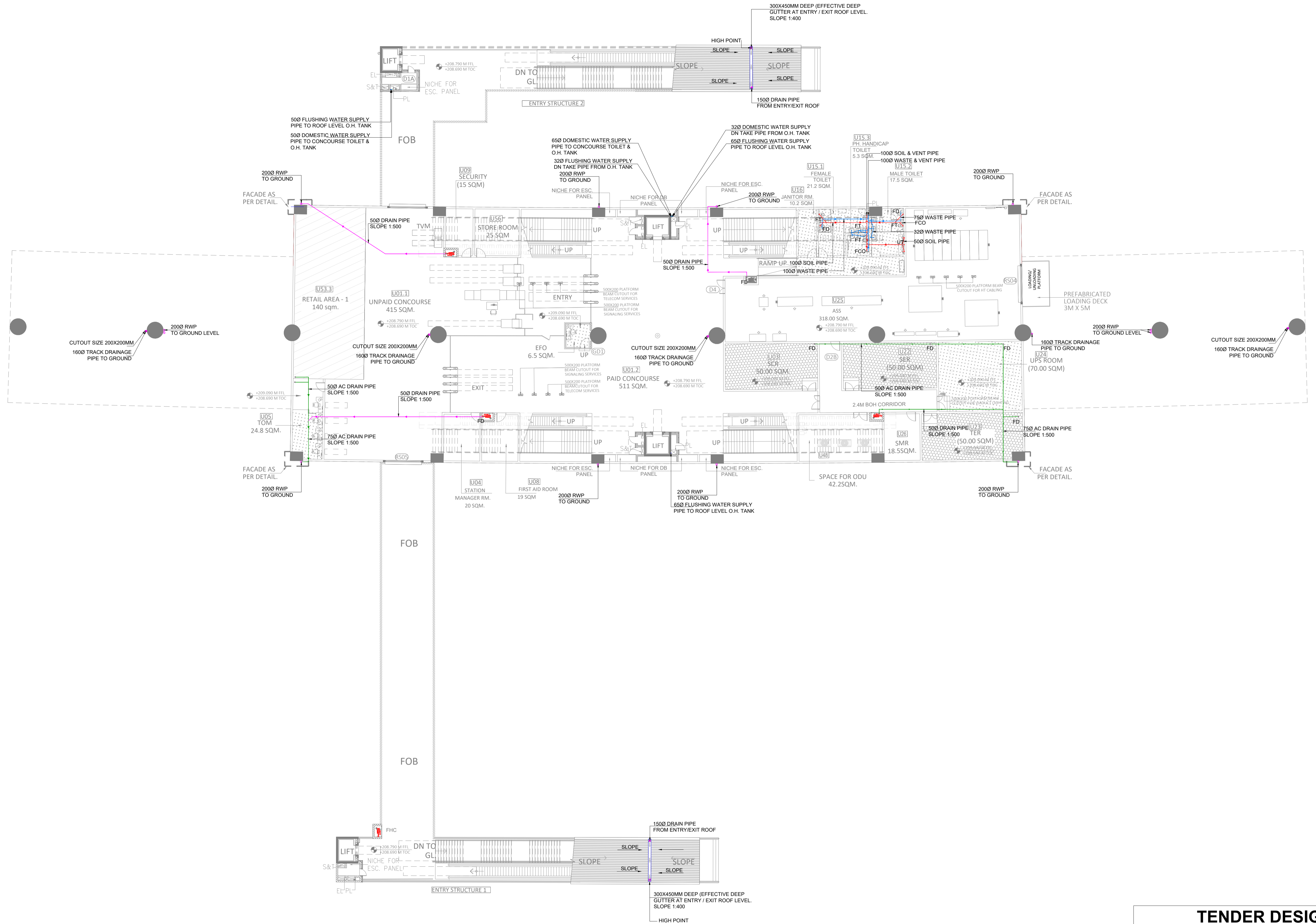
STATION: **NOIDA OFFICE**

DRAWING TITLE: **PUMP ROOM-PLUMBING LAYOUT**

NORTH	DRAWN BY: HL	CHECKED BY: RK	VERIFIED BY: SJ	APPROVED BY: NG
	DATE: 27-03-2026	REV: R0	SCALE: N.T.S.	STATUS: TED
ORDER N°	DRAWING NUMBER: NGNE-NOFC-TED-PLB-12001		SHEET NO. 01 OF 01	SHEET SIZE A-1

NGNEDDC
PLUMBING

This drawing must not be either loaned, copied or otherwise reproduced in whole or in part or used for any purpose without the prior written permission of NMRC.



TENDER DESIGN

NOIDA METRO RAIL CORPORATION LTD.
 Block-III, 3rd Floor, Ganga Shopping Complex, Sector-29, Noida -201301,
 District Gautam Budh Nagar, Uttar Pradesh, India

PROJECT: CONTRACT NO: NGNECC-01- Part Design & Construction of Elevated Viaduct and 10 nos. of Elevated Stations for Extension Projects of NMR's Aqua Line from Botanical Garden to Noida Sec-142 (from Chainage (-) 383.959 to 12130.143) and from Depot Station to Boraki MMTH (Chainage 28678.253 to 31263.482)

STATION: NOIDA OFFICE

DRAWING TITLE: CONCOURSE LEVEL PLAN -DRAINAGE LAYOUT

NORTH	DRAWN BY: HL	CHECKED BY: RK	VERIFIED BY: SJ	APPROVED BY: NG
	DATE: 27-03-2026	REV: R0	SCALE: 1:200	STATUS: TED
ORDER N°	DRAWING NUMBER: NGNE-NOFC-TED-PLB-13001	SHEET NO: 01 OF 01	SHEET SIZE: A-1	



Ayesa India Private Limited
 D 99, 3rd Floor, Sector 2, Noida -201301, Gautam
 Budh Nagar, Uttar Pradesh
 Tel.: +(91) 120 490 8800, Email: delhi@ayesa.com

GENERAL NOTES

- ALL DIMENSIONS ARE IN MILLIMETER UNLESS MENTIONED.
- ALL DIMENSIONS ARE TO BE READ AND NOT MEASURED.
- ANY DISCREPANCY MUST BE BROUGHT TO THE NOTICE OF THE DMRC BEFORE EXECUTION OF WORK AT SITE.
- THIS DRAWING MUST BE READ IN CONJUNCTION WITH ALL RELEVANT ARCHITECTURAL, STRUCTURAL, PLUMBING & FIRE FIGHTING, ELECTRICAL AND TRAFFIC MANAGEMENT DRAWINGS.

REVISION	DESCRIPTION	DRAWING NO.

REV.	DESCRIPTION	DATE	DRAWN BY	CHECKED BY
R0	ISSUED FIRST SUBMISSION OF TENDER DRAWINGS	27-03-2026	HARI LAL	R.K.

APPROVAL OF NMRC OFFICIALS

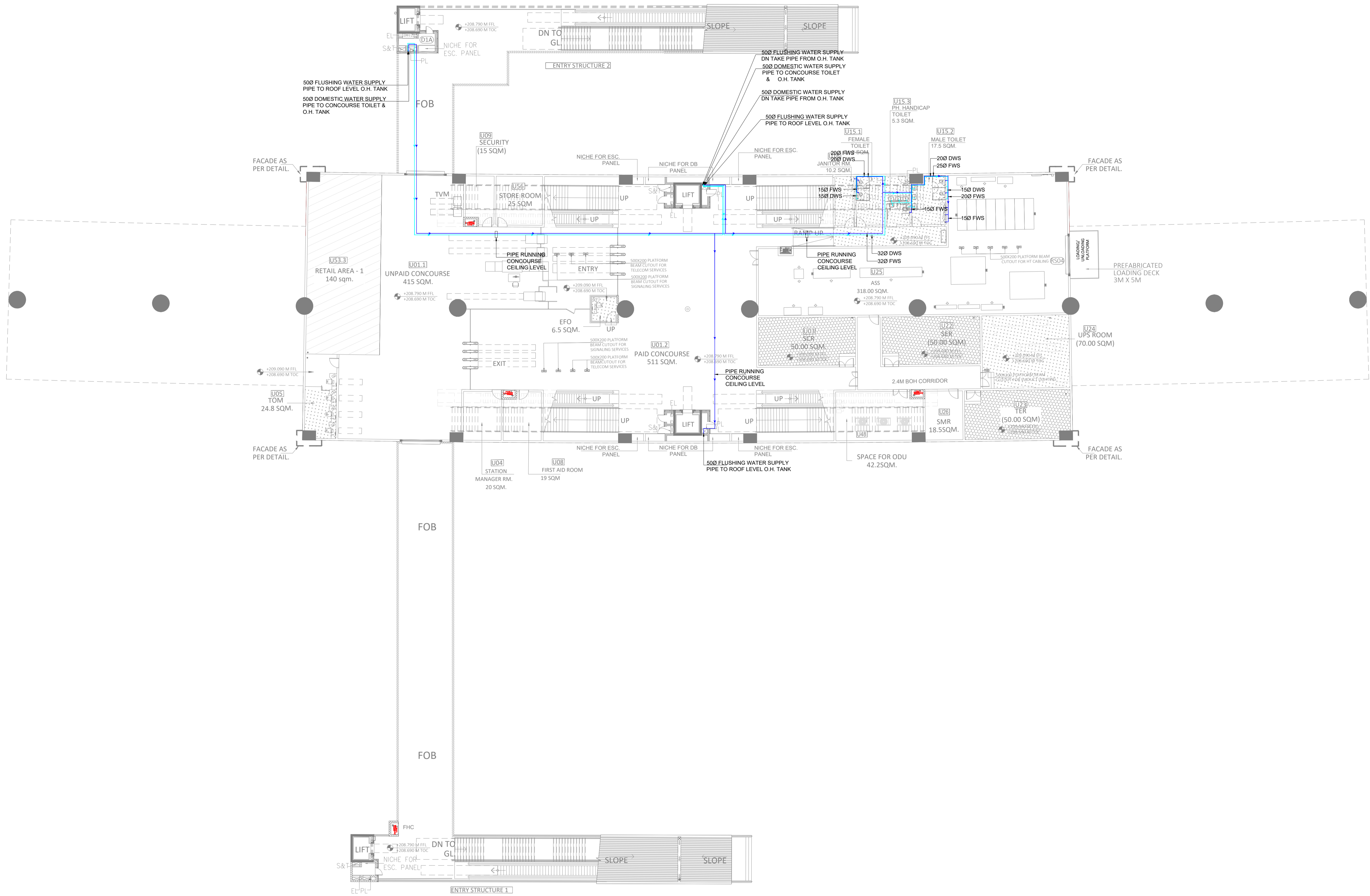
Certified that this document has been designed and checked in accordance with DDC Quality Assurance Plan.

Architecture Design In-charge/ Coordinator: _____
 Structure Design In-charge/ Coordinator: _____
 E&M Design In-charge/ Coordinator: _____

Authorised Signatory for DDC: NGNEDDC Project Manager

DETAIL DESIGN CONSULTANT : **ayesa**

This drawing must not be either loaned, copied or otherwise reproduced in whole or in part or used for any purpose without the prior written permission of NMRC.



GENERAL NOTES

1. ALL DIMENSIONS ARE IN MILLIMETER UNLESS MENTIONED.
2. ALL DIMENSIONS ARE TO BE READ AND NOT MEASURED.
3. ANY DISCREPANCY MUST BE BROUGHT TO THE NOTICE OF THE DMRC BEFORE EXECUTION OF WORK AT SITE.
4. THIS DRAWING MUST BE READ IN CONJUNCTION WITH ALL RELEVANT ARCHITECTURAL, STRUCTURAL, PLUMBING & FIRE FIGHTING, ELECTRICAL AND TRAFFIC MANAGEMENT DRAWINGS.

REVISION	DESCRIPTION	DRAWING NO.

REVISIONS				
REV.	DESCRIPTION	DATE	DRAWN BY	CHECKED BY
R0	ISSUED FIRST SUBMISSION OF TENDER DRAWINGS	27-03-2026	HARI LAL	R.K.

APPROVAL OF NMRC OFFICIALS				
NO.	NAME	DESIGNATION	DATE	REMARKS

Certified that this document has been designed and checked in accordance with DDC Quality Assurance Plan.

Architecture Design In-charge/ Coordinator: _____
 Structure Design In-charge/ Coordinator: _____
 E&M Design In-charge/ Coordinator: _____

DETAIL DESIGN CONSULTANT :

ayesa
 Ayesa India Private Limited
 D 99, 3rd Floor, Sector 2, Noida -201301, Gautam Budh Nagar, Uttar Pradesh
 Tel.: +(91) 120 490 8800, Email: delhi@ayesa.com

TENDER DESIGN

NOIDA METRO RAIL CORPORATION LTD.
 Block-III, 3rd Floor, Ganga Shopping Complex, Sector-29, Noida -201301, District Gautam Budh Nagar, Uttar Pradesh, India

PROJECT: CONTRACT NO: NGNECC-01- Part Design & Construction of Elevated Viaduct and 10 nos. of Elevated Stations for Extension Projects of NMRC's Aqua Line from Botanical Garden to Noida Sec-142 (from Chainage (-) 383.959 to 12130.143) and from Depot Station to Boraki MMTH (Chainage 28678.253 to 31263.482)

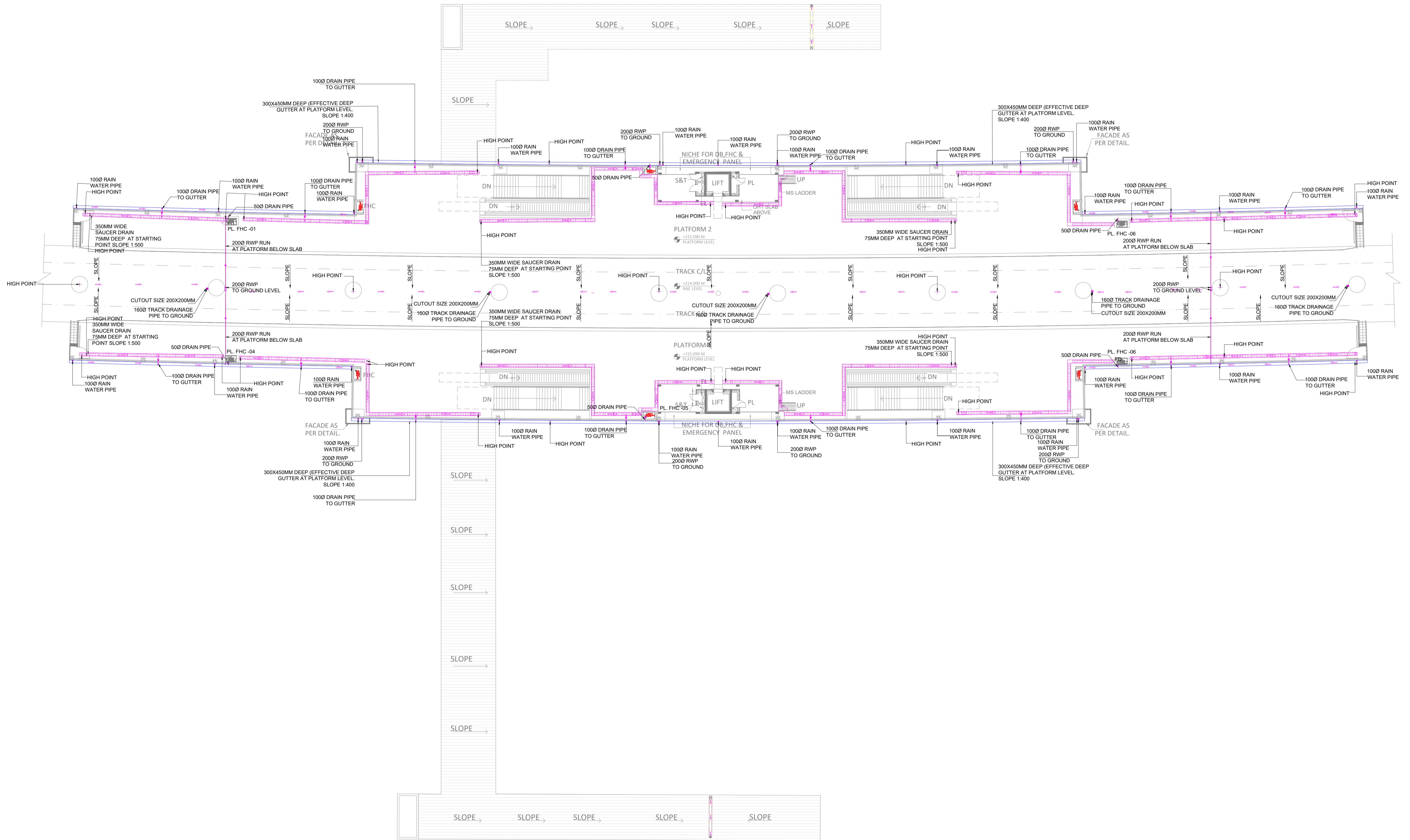
STATION: NOIDA OFFICE

DRAWING TITLE: CONCOURSE LEVEL PLAN -WATER SUPPLY LAYOUT

NORTH	DRAWN BY: HL	CHECKED BY: RK	VERIFIED BY: SJ	APPROVED BY: NG
	DATE: 27-03-2026	REV: R0	SCALE: N.T.S.	STATUS: TED
ORDER N°	DRAWING NUMBER: NGNE-NOFC-TED-PLB-13002	SHEET NO. 01 OF 01	SHEET SIZE A-1	

This drawing must not be either loaned, copied or otherwise reproduced in whole or in part or used for any purpose without the prior written permission of NMRC.

THIS DRAWING IS THE PROPERTY OF NOIDA METRO RAIL CORPORATION LTD.



GENERAL NOTES

- ALL DIMENSIONS ARE IN MILLIMETER UNLESS MENTIONED.
- ALL DIMENSIONS ARE TO BE READ AND NOT MEASURED.
- ANY DISCREPANCY MUST BE BROUGHT TO THE NOTICE OF THE DMRC BEFORE EXECUTION OF WORK AT SITE.
- THIS DRAWING MUST BE READ IN CONJUNCTION WITH ALL RELEVANT ARCHITECTURAL, STRUCTURAL, PLUMBING & FIRE FIGHTING, ELECTRICAL AND TRAFFIC MANAGEMENT DRAWINGS.

REVISION	DESCRIPTION	DRAWING NO.

REV.	DESCRIPTION	DATE	DRAWN BY	CHECKED BY
R0	ISSUED FIRST SUBMISSION OF TENDER DRAWINGS	27-03-2026	HARI LAL	R.K.

APPROVAL OF NMRC OFFICIALS

Certified that this document has been designed and checked in accordance with DDC Quality Assurance Plan.

Architecture Design In-charge/ Coordinator: _____
 Structure Design In-charge/ Coordinator: _____
 E&M Design In-charge/ Coordinator: _____

Authorised Signatory for DDC: _____
 NGNEDDC Project Manager

DETAIL DESIGN CONSULTANT :

ayesa
 Ayesa India Private Limited
 D 99, 3rd Floor, Sector 2, Noida -201301, Gautam Budh Nagar, Uttar Pradesh
 Tel.: +(91) 120 490 8800, Email: delhi@ayesa.com

TENDER DESIGN

NOIDA METRO RAIL CORPORATION LTD.
 Block-III, 3rd Floor, Ganga Shopping Complex, Sector-29, Noida -201301, District Gautam Budh Nagar, Uttar Pradesh, India

PROJECT: CONTRACT NO: NGNECC-01- Part Design & Construction of Elevated Viaduct and 10 nos. of Elevated Stations for Extension Projects of NMRC's Aqua Line from Botanical Garden to Noida Sec-142 (from Chainage (+) 383.959 to 12130.143) and from Depot Station to Boraki MMTH (Chainage 28678.253 to 31263.482)

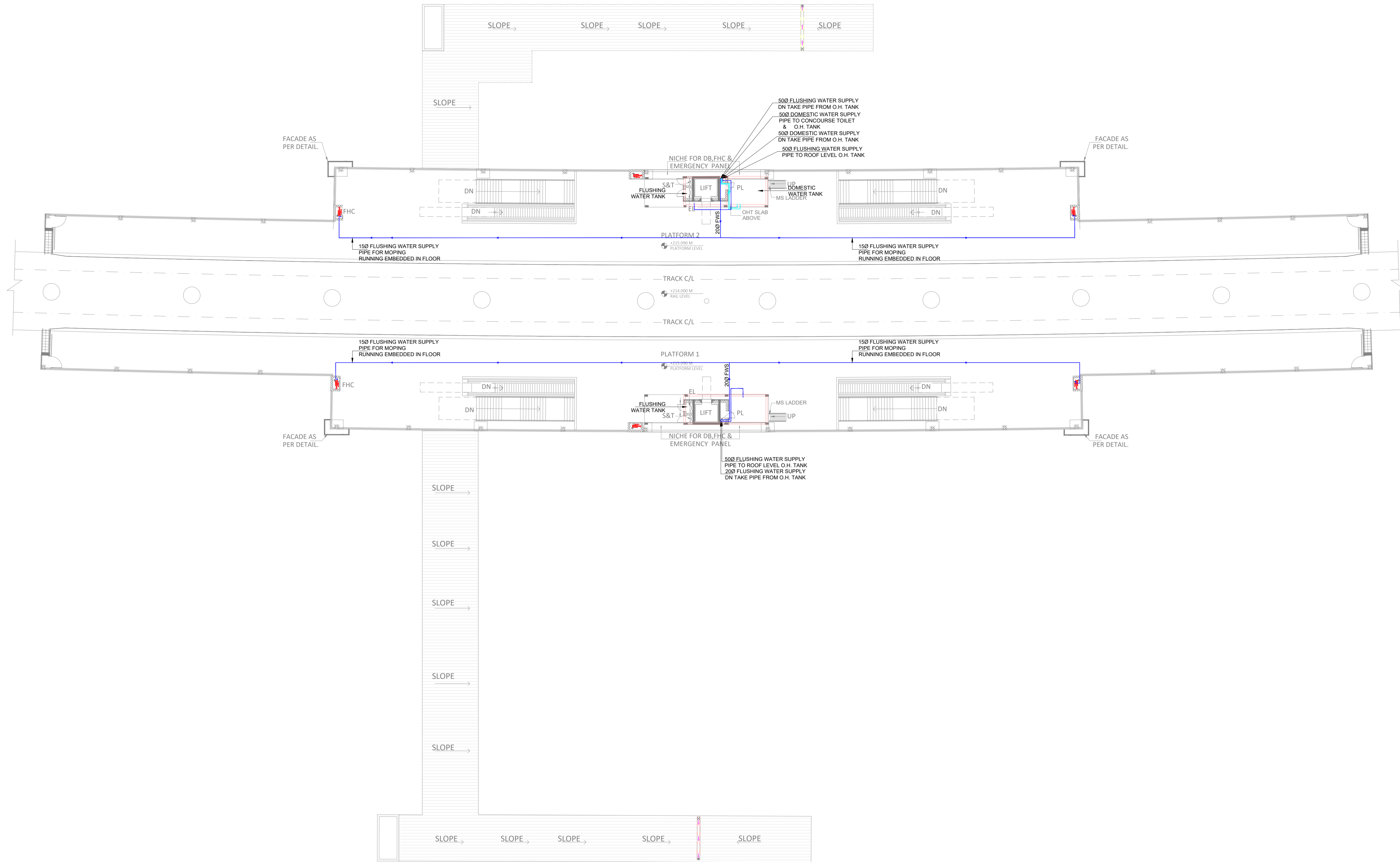
STATION: NOIDA OFFICE

DRAWING TITLE: PLATFORM LEVEL PLAN-DRAINGE LAYOUT

NORTH	DRAWN BY: HL	CHECKED BY: RK	VERIFIED BY: SJ	APPROVED BY: NG
	DATE: 27-03-2026	REV: R0	SCALE: 1:200	STATUS: TED
ORDER N°	DRAWING NUMBER: NGNE-NOFC-TED-PLB-14001	SHEET NO: 01 OF 01	SHEET SIZE: A-1	

NGNEDDC PLUMBING

This drawing must not be either loaned, copied or otherwise reproduced in whole or in part or used for any purpose without the prior written permission of NMRC.



GENERAL NOTES:
 1. ALL DIMENSIONS ARE IN MILLIMETER UNLESS MENTIONED.
 2. ALL DIMENSIONS ARE TO BE READ AND NOT MEASURED.
 3. ANY DISCREPANCY MUST BE BROUGHT TO THE NOTICE OF THE DMRC BEFORE EXECUTION OF WORK AT SITE.
 4. THIS DRAWING MUST BE READ IN CONJUNCTION WITH ALL RELEVANT ARCHITECTURAL, STRUCTURAL, PLUMBING & FIRE FIGHTING, ELECTRICAL AND TRAFFIC MANAGEMENT DRAWINGS.

REVISIONS				
REV.	DESCRIPTION	DATE	DRAWN BY	CHECKED BY
R0	ISSUED FIRST SUBMISSION OF TENDER DRAWINGS	27-03-2026	HARI LAL	R.K.

APPROVAL OF NMRC OFFICIALS				
NO.	NAME	DESIGNATION	DATE	SIGNATURE

Certified that this document has been designed and checked in accordance with DDC Quality Assurance Plan.

Authorised Signatory for DDC.
 NGNEDDC Project Manager

Architecture Design In-charge/ Coordinator	Structure Design In-charge/ Coordinator	E&M Design In-charge/ Coordinator
-----------------------------------------------	--------------------------------------------	--------------------------------------

DETAIL DESIGN CONSULTANT :

ayesa
 Ayesa India Private Limited
 D 99, 3rd Floor, Sector 2, Noida -201301, Gautam
 Budh Nagar, Uttar Pradesh
 Tel.: +(91) 120 490 8800, Email: delhi@ayesa.com

TENDER DESIGN

NOIDA METRO RAIL CORPORATION LTD.
 Block-III, 3rd Floor, Ganga Shopping Complex, Sector-29, Noida -201301,
 District Gautam Budh Nagar, Uttar Pradesh, India

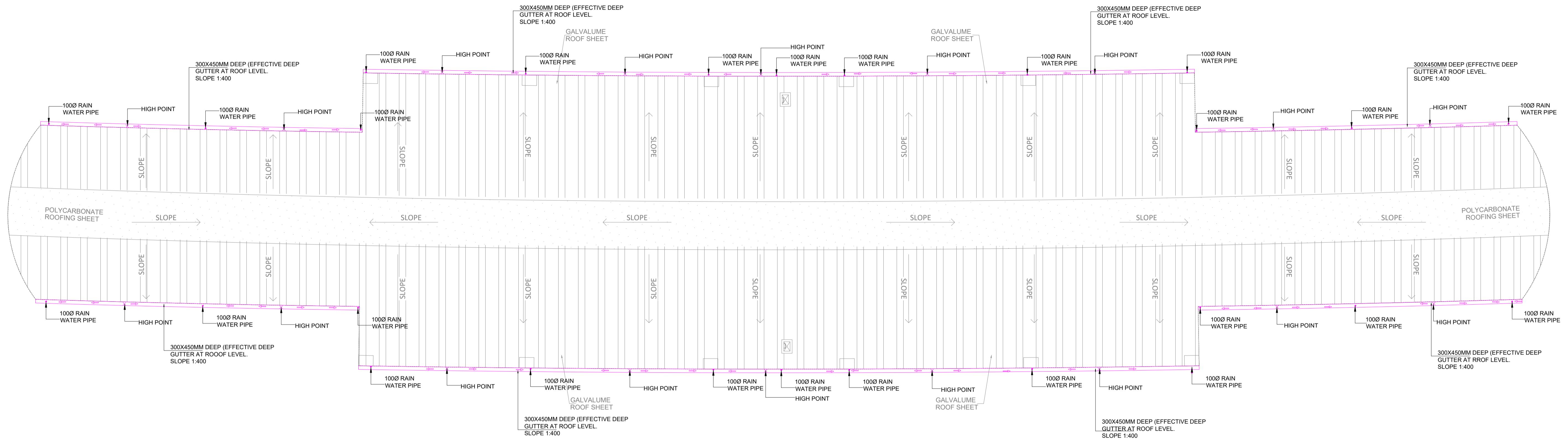
PROJECT: CONTRACT NO: NGNECC-01- Part Design & Construction of Elevated Viaduct and 10 nos. of Elevated Stations for Extension Projects of NMRC's Aqua Line from Botanical Garden to Noida Sec-142 (from Chainage (-) 383.959 to 12130.143) and from Depot Station to Boraki MMTH (Chainage 28678.253 to 31263.482)

STATION: NOIDA OFFICE

DRAWING TITLE: PLATFORM LEVEL PLAN-WATER SUPPLY LAYOUT

NORTH	DRAWN BY: HL	CHECKED BY: RK	VERIFIED BY: SJ	APPROVED BY: NG
	DATE: 27-03-2026	REV: RO	SCALE: 1:200	STATUS: TED
ORDER N°	DRAWING NUMBER: NGNE-NOFC-TED-PLB-14002	SHEET NO. 01 OF 01	SHEET SIZE A-1	

This drawing must not be either loaned, copied or otherwise reproduced in whole or in part or used for any purpose without the prior written permission of NMRC.



GENERAL NOTES

1. ALL DIMENSIONS ARE IN MILLIMETER UNLESS MENTIONED.
2. ALL DIMENSIONS ARE TO BE READ AND NOT MEASURED.
3. ANY DISCREPANCY MUST BE BROUGHT TO THE NOTICE OF THE DMRC BEFORE EXECUTION OF WORK AT SITE.
4. THIS DRAWING MUST BE READ IN CONJUNCTION WITH ALL RELEVANT ARCHITECTURAL, STRUCTURAL, PLUMBING & FIRE FIGHTING, ELECTRICAL AND TRAFFIC MANAGEMENT DRAWINGS.

REVISION	DESCRIPTION	DRAWING NO.

REVISIONS				
REV.	DESCRIPTION	DATE	DRAWN BY	CHECKED BY

APPROVAL OF NMRC OFFICIALS				

Certified that this document has been designed and checked in accordance with DDC Quality Assurance Plan.

Authorised Signatory for DDC.
NGNEDDC Project Manager

Architecture Design In-charge/ Coordinator	Structure Design In-charge/ Coordinator	E&M Design In-charge/ Coordinator
-----------------------------------------------	--------------------------------------------	--------------------------------------

DETAIL DESIGN CONSULTANT :

ayesa

Ayesa India Private Limited
D 99, 3rd Floor, Sector 2, Noida -201301, Gautam
Budh Nagar, Uttar Pradesh
Tel.: +(91) 120 490 8800, Email: delhi@ayesa.com

TENDER DESIGN

NOIDA METRO RAIL CORPORATION LTD.
Block-III, 3rd Floor, Ganga Shopping Complex, Sector-29, Noida -201301,
District Gautam Budh Nagar, Uttar Pradesh, India

PROJECT: CONTRACT NO: NGNECC-01- Part Design & Construction of Elevated Viaduct and 10 nos. of Elevated Stations for Extension Projects of NMR's Aqua Line from Botanical Garden to Noida Sec-142 (from Chainage (-) 383.959 to 12130.143) and from Depot Station to Boraki MMTH (Chainage 28678.253 to 31263.482)

STATION: NOIDA OFFICE

DRAWING TITLE: ROOF LEVEL PLAN-DRAINAGE LAYOUT

NORTH	DRAWN BY: HL	CHECKED BY: RK	VERIFIED BY: SJ	APPROVED BY: NG
	DATE: 27-03-2026	REV: RO	SCALE: 1:200	STATUS: TED
ORDER N°	DRAWING NUMBER: NGNE-NOFC-TED-PLB-15001	SHEET NO. 01 OF 01	SHEET SIZE A-1	

NGNEDDC
PLUMBING

This drawing must not be either loaned, copied or otherwise reproduced in whole or in part or used for any purpose without the prior written permission of NMR.

LIST OF PLUMBING DRAWINGS

S.NO.	DRAWING NO.	DRAWING TITLE	SHEET	REV.
01	NGNE-NOFC-TED-PLB-10001	LIST OF PLUMBING DRAWINGS	1 OF 1	R0
02	NGNE-NOFC-TED-PLB-10002	TYPICAL DETAIL & SECTION -PLUMBING LAYOUT	1 OF 1	R0
03	NGNE-NOFC-TED-PLB-10003	TOILET DETAIL-PLUMBING LAYOUT	1 OF 1	R0
04	NGNE-NOFC-TED-PLB-10004	SCHEMATIC DIAGRAM FOR DRAINAGE SYSTEM	1 OF 1	R0
05	NGNE-NOFC-TED-PLB-10005	SCHEMATIC DIAGRAM FOR SEWAGE SYSTEM	1 OF 1	R0
06	NGNE-NOFC-TED-PLB-10006	SCHEMATIC DIAGRAM FOR WATER SUPPLY SYSTEM	1 OF 1	R0
07	NGNE-NOFC-TED-PLB-11001	GROUND FLOOR PLAN - DRAINAGE & WATER SUPPLY LAYOUT	1 OF 1	R0
08	NGNE-NOFC-TED-PLB-12001	PUMP ROOM - PLUMBING LAYOUT	1 OF 1	R0
09	NGNE-NOFC-TED-PLB-13001	CONCOURSE LEVEL PLAN -DRAINAGE LAYOUT	1 OF 1	R0
10	NGNE-NOFC-TED-PLB-13002	CONCOURSE LEVEL PLAN -WATER SUPPLY LAYOUT	1 OF 1	R0
11	NGNE-NOFC-TED-PLB-14001	PLATFORM LEVEL PLAN-DRAINAGE LAYOUT	1 OF 1	R0
12	NGNE-NOFC-TED-PLB-14002	PLATFORM LEVEL PLAN-WATER SUPPLY LAYOUT	1 OF 1	R0
13	NGNE-NOFC-TED-PLB-15001	ROOF LEVEL PLAN-DRAINAGE LAYOUT	1 OF 1	R0

TENDER DESIGN

NOIDA METRO RAIL CORPORATION LTD.
Block-III, 3rd Floor, Ganga Shopping Complex, Sector-29, Noida -201301,
District Gautam Budh Nagar, Uttar Pradesh, India

PROJECT: CONTRACT NO: NGNECC-01- Part Design & Construction of Elevated Viaduct and 10 nos. of Elevated Stations for Extension Projects of NMRC's Aqua Line from Botanical Garden to Noida Sec-142 (from Chainage (-) 383.959 to 12130.143) and from Depot Station to Boraki MMTH (Chainage 28678.253 to 31263.482)

STATION: NOIDA OFFICE

DRAWING TITLE: LIST OF PLUMBING DRAWINGS

NORTH	DRAWN BY:	CHECKED BY:	VERIFIED BY:	APPROVED BY:
	HL	RK	SJ	NG
	DATE:	REV:	SCALE:	STATUS:
	27-03-2026	RO	N.T.S.	TED
ORDER N°	DRAWING NUMBER:	SHEET NO.	SHEET SIZE	
	NGNE-NOFC-TED-PLB-10001	01 OF 01	A-1	

This drawing must not be either loaned, copied or otherwise reproduced in whole or in part or used for any purpose without the prior written permission of NMRC.

GENERAL NOTES:
1. ALL DIMENSIONS ARE IN MILLIMETER UNLESS MENTIONED.
2. ALL DIMENSIONS ARE TO BE READ AND NOT MEASURED.
3. ANY DISCREPANCY MUST BE BROUGHT TO THE NOTICE OF THE DMRC BEFORE EXECUTION OF WORK AT SITE.
4. THIS DRAWING MUST BE READ IN CONJUNCTION WITH ALL RELEVANT ARCHITECTURAL, STRUCTURAL, PLUMBING & FIRE FIGHTING, ELECTRICAL AND TRAFFIC MANAGEMENT DRAWINGS.

REVISIONS

REV.	DESCRIPTION	DATE	DRAWN BY	CHECKED BY
R0	ISSUED FIRST SUBMISSION OF TENDER DRAWINGS	27-03-2026	HARI LAL	R.K.

APPROVAL OF NMRC OFFICIALS

NAME	DESIGNATION	DATE

Certified that this document has been designed and checked in accordance with DDC Quality Assurance Plan.

Authorised Signatory for DDC.
NGNEDDC Project Manager

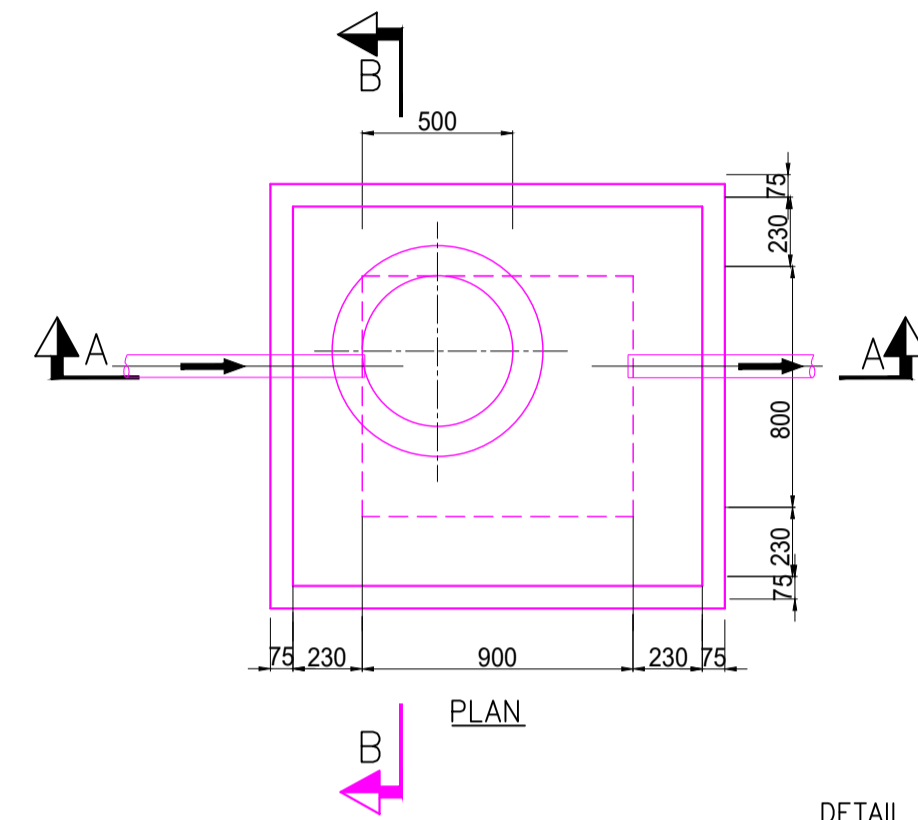
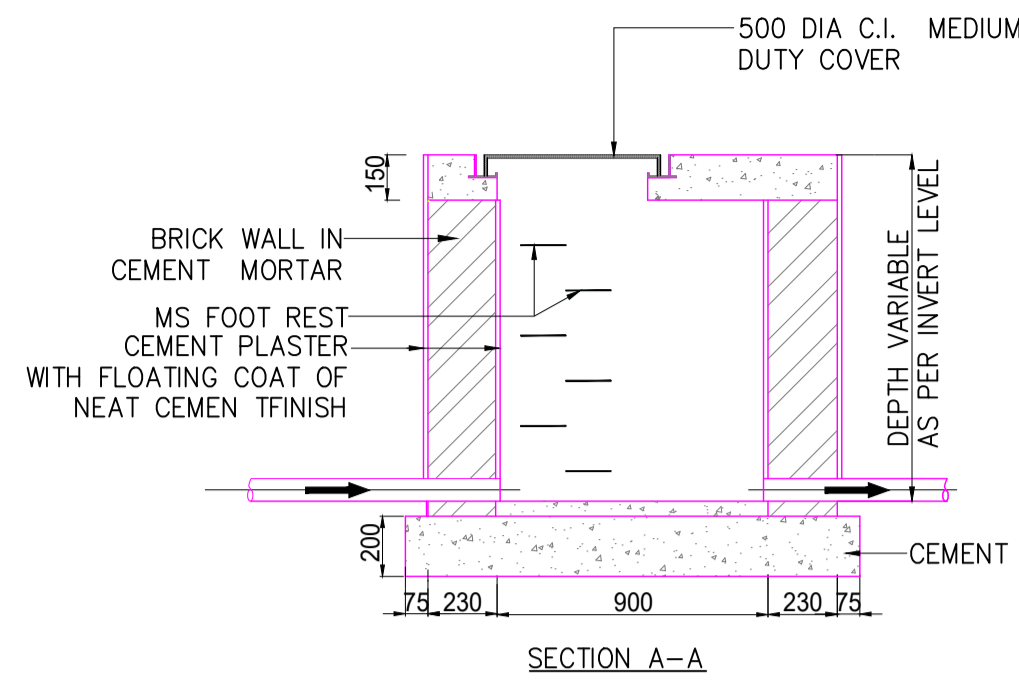
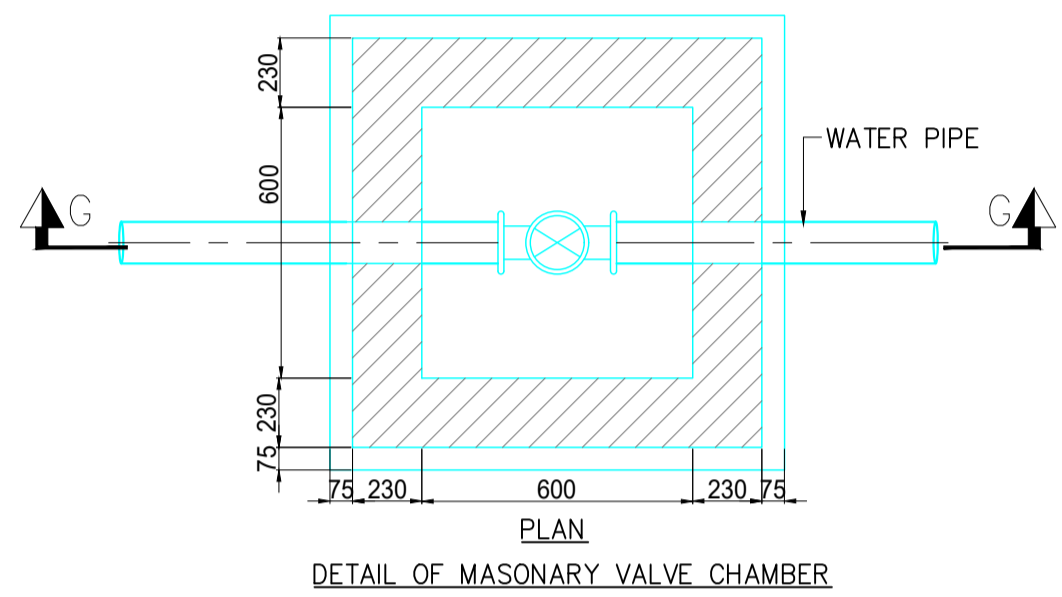
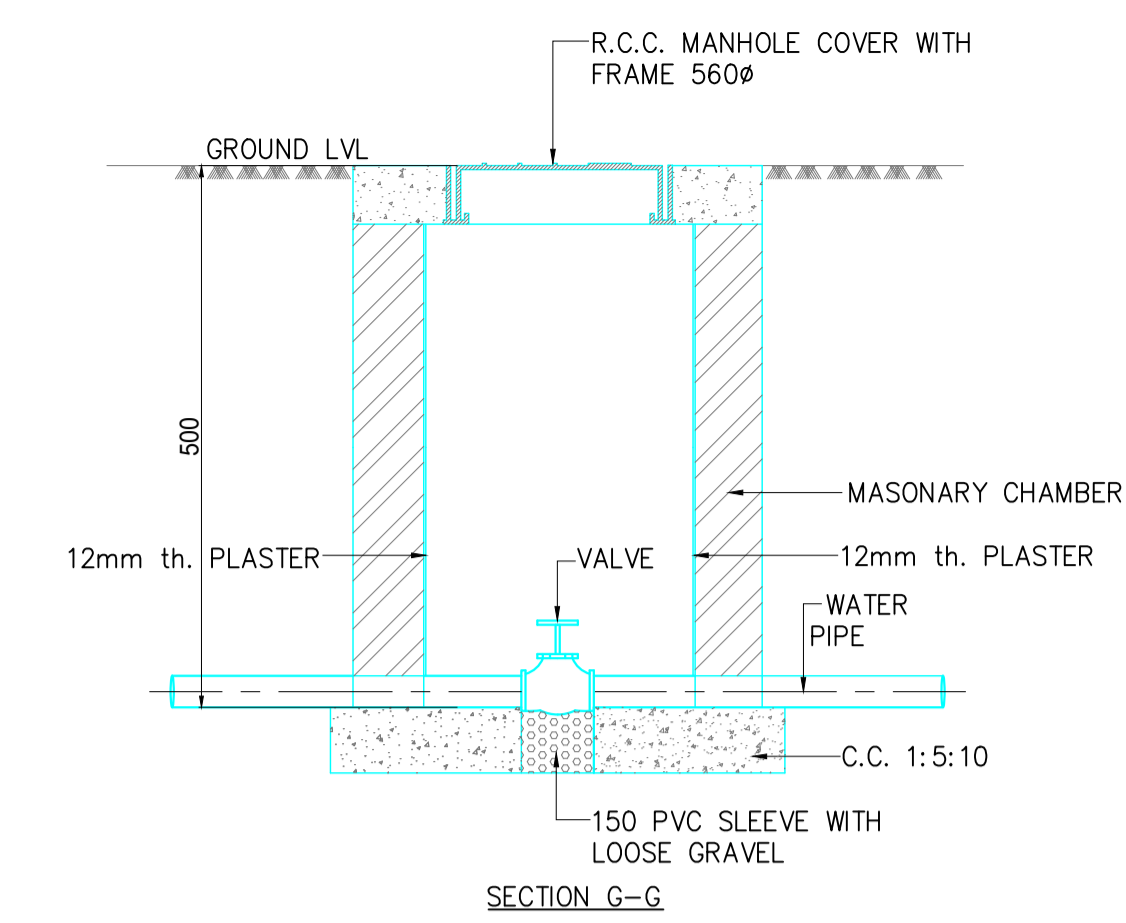
Architecture	Structure	E&M
Design In-charge/ Coordinator	Design In-charge/ Coordinator	Design In-charge/ Coordinator

DETAIL DESIGN CONSULTANT :

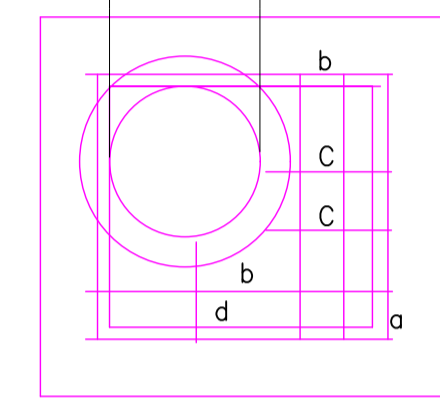
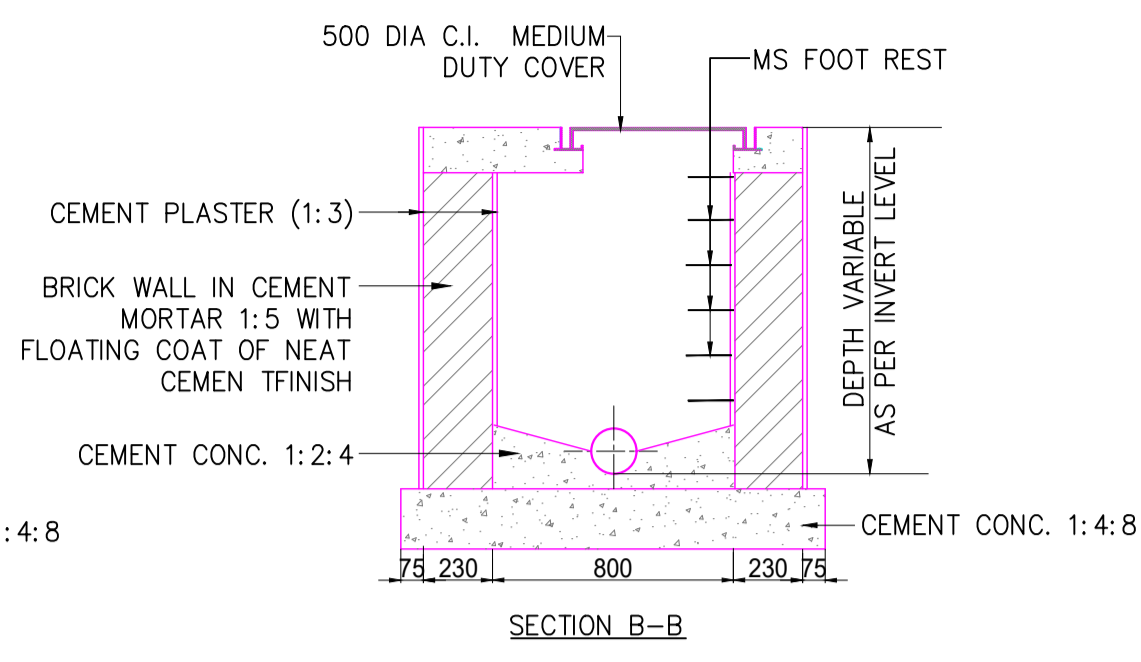


Ayesa India Private Limited
D 99, 3rd Floor, Sector 2, Noida -201301, Gautam
Budh Nagar, Uttar Pradesh
Tel.: +(91) 120 490 8800, Email: delhi@ayesa.com

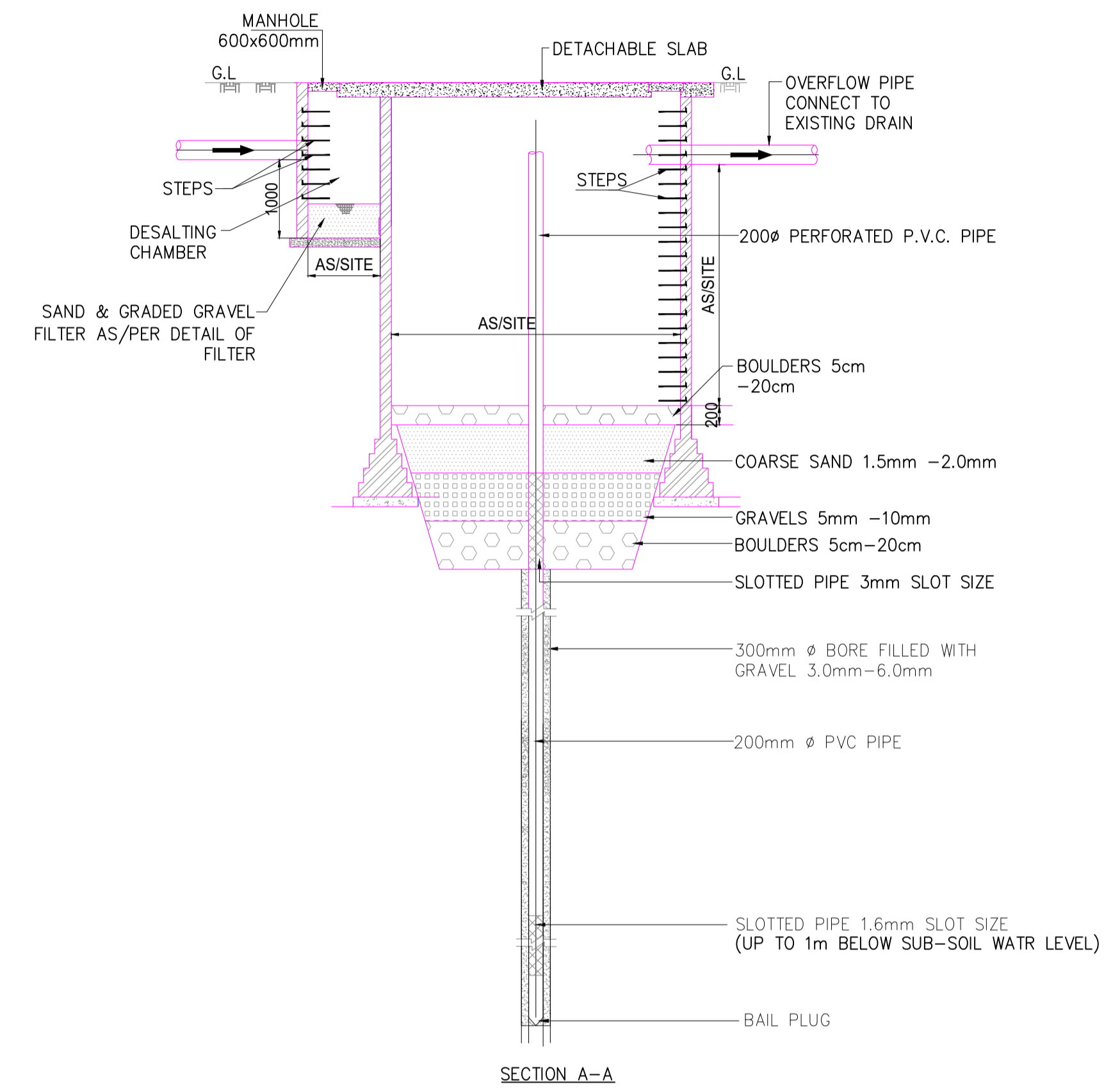
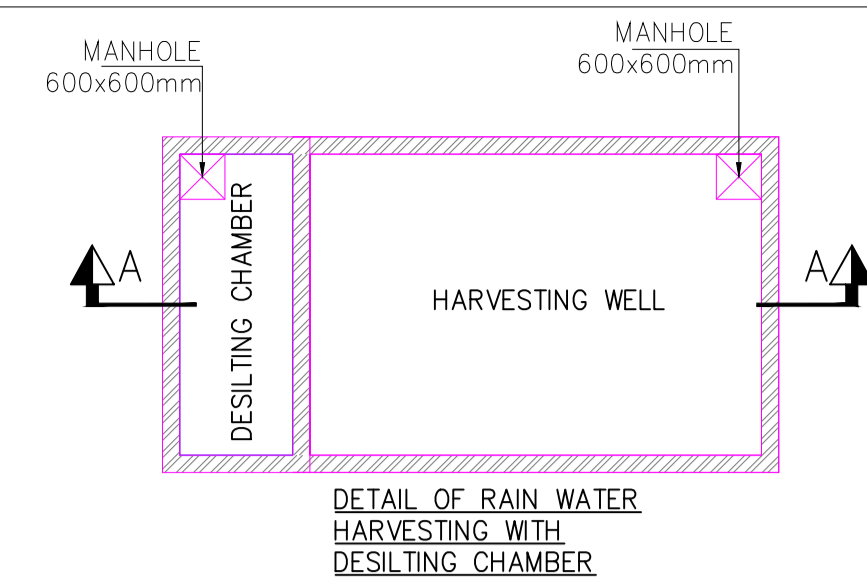
NOIDA METRO RAIL CORPORATION LTD.



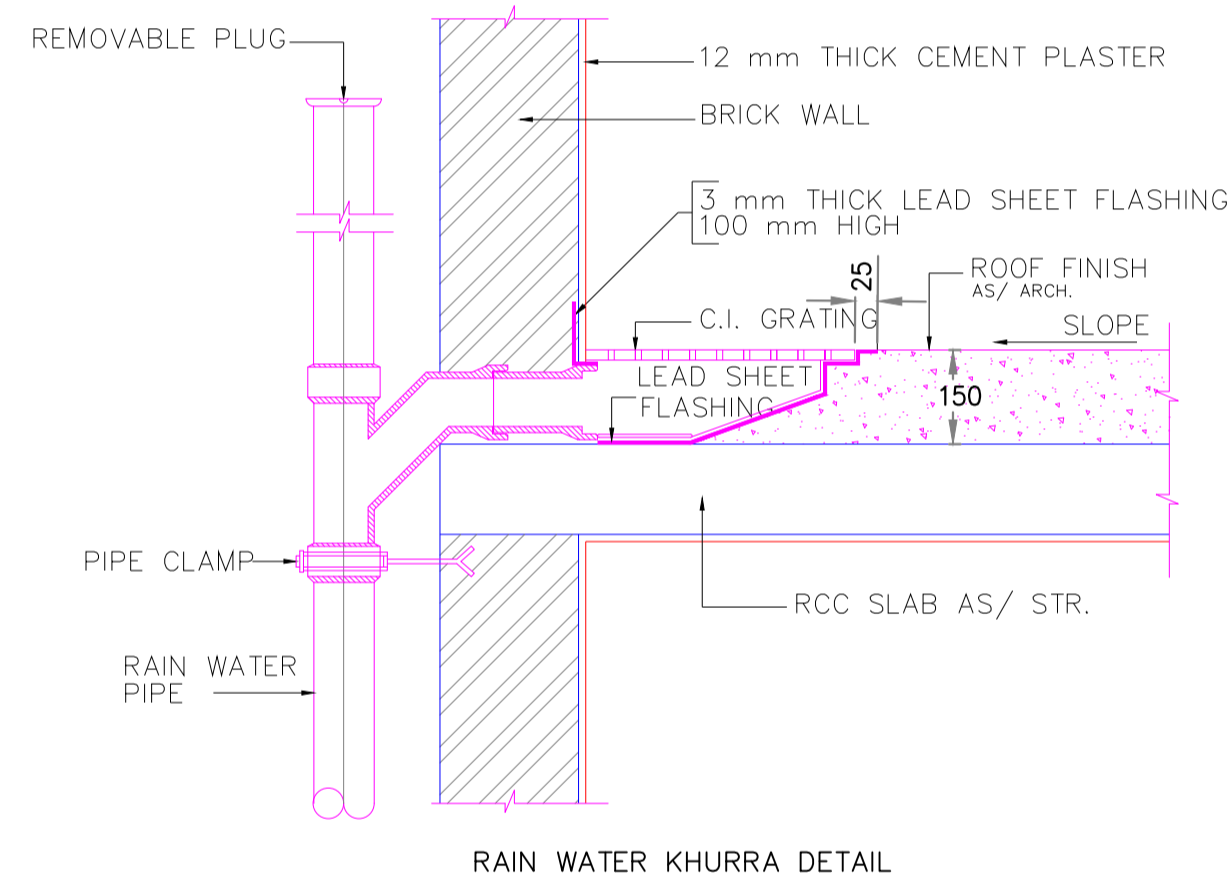
DETAIL OF RECTANGULAR MANHOLE 900 X 800MM



PLAN



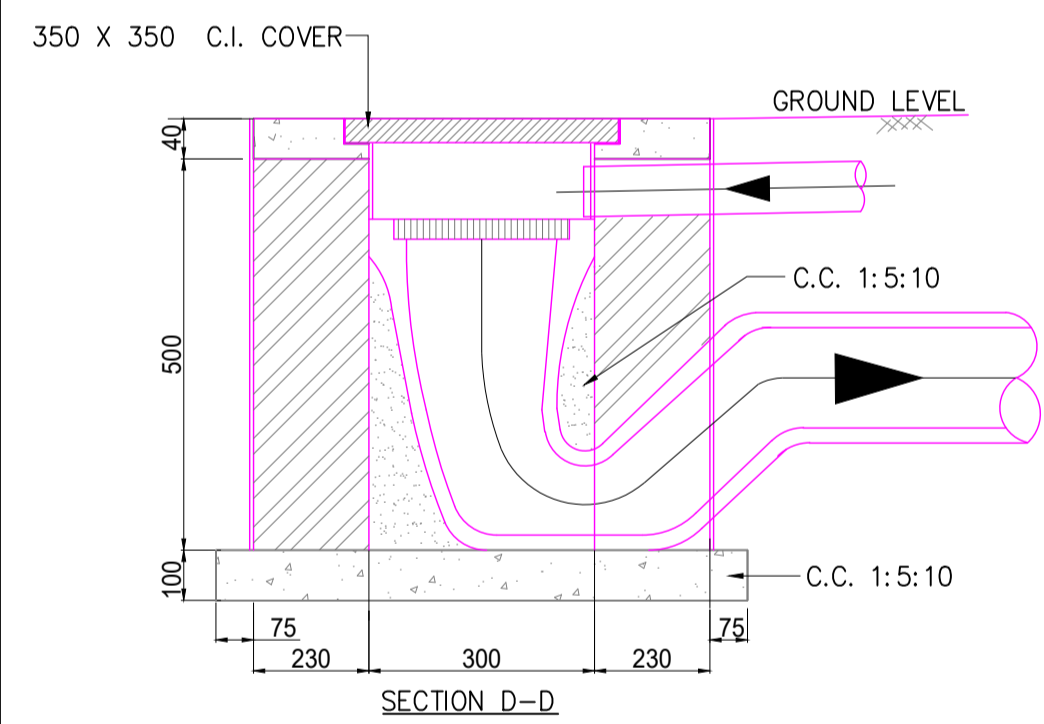
SECTION A-A



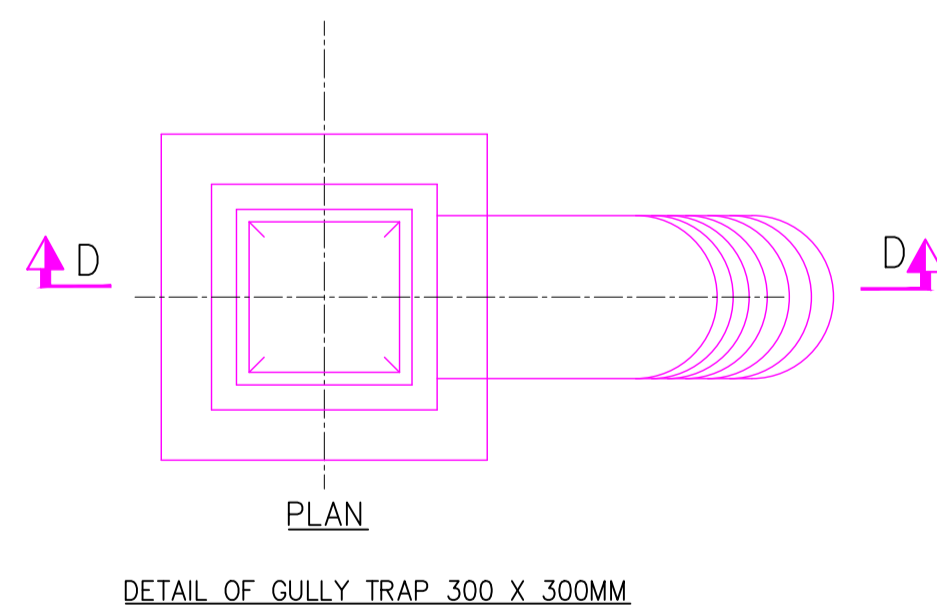
RAIN WATER KHURRA DETAIL

NOTES

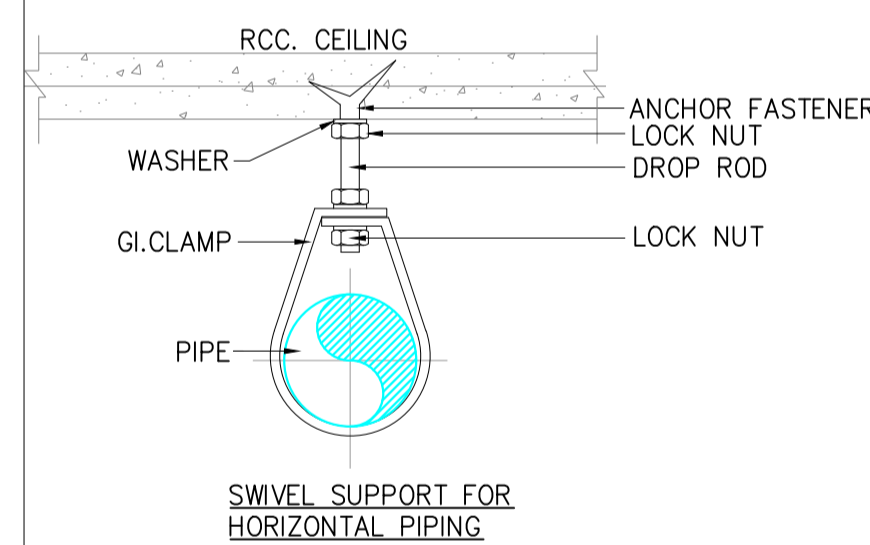
1. ALL DIMENSIONS ARE IN MM. UNLESS OTHERWISE SPECIFIED
2. PROPER CEMENT CONCRETE CHANNEL AND TRENCHING ARE TO BE PROVIDED RELEVANT SMOOTH WITH FLOATING COAT OF NEAT CEMENT FINISH.
3. TOP OF MANHOLES, CATCH BASINS ARE TO BE PLACED IN CONJUNCTION WITH ADJACENT FINISHED LEVEL AS APPLICABLE.



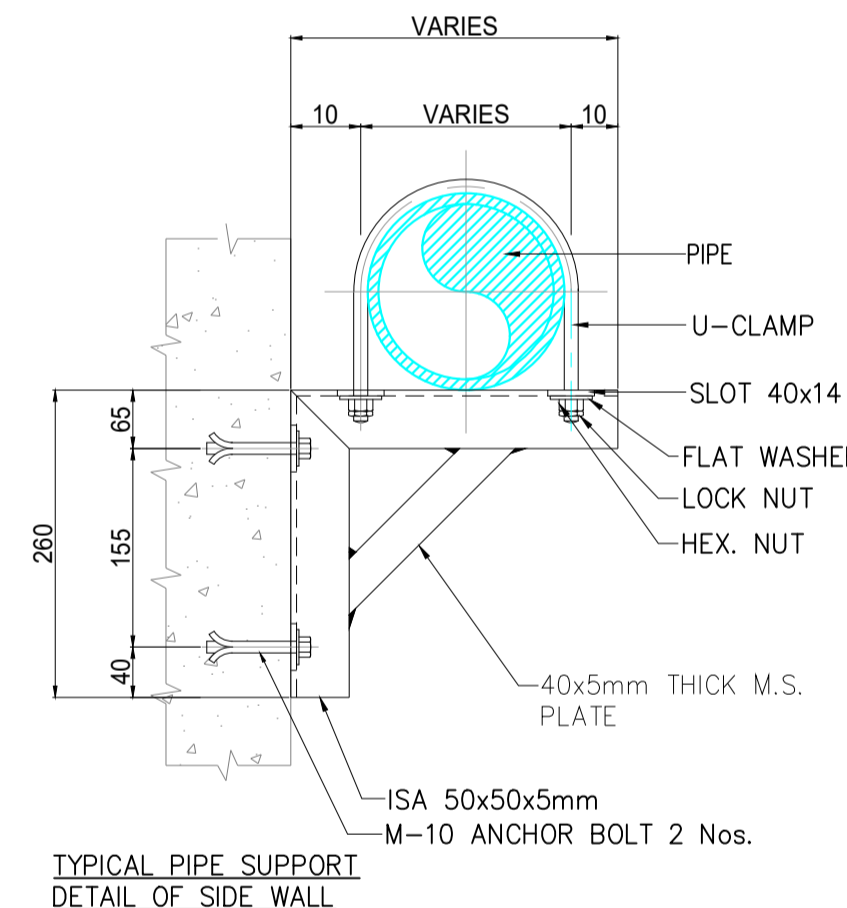
SECTION D-D



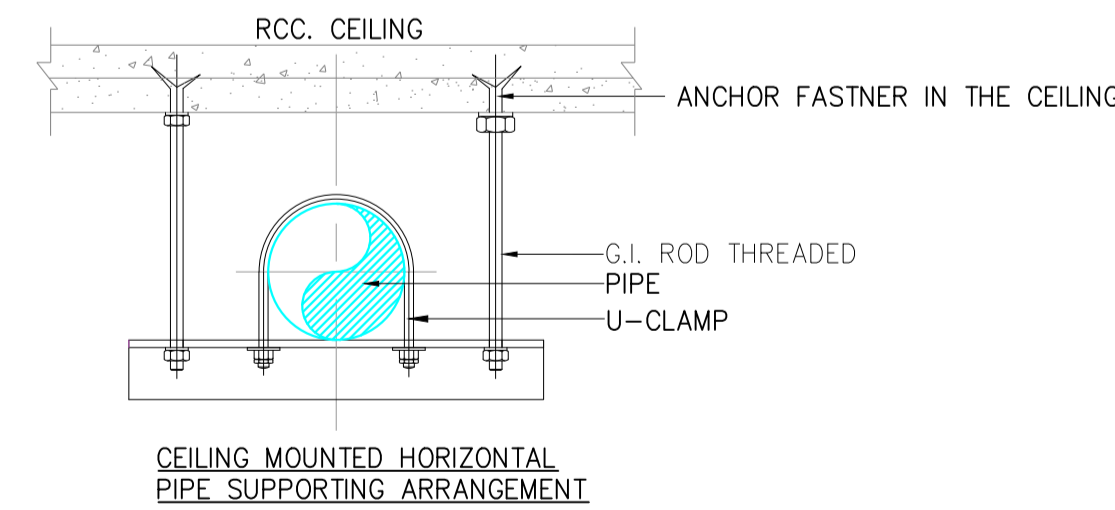
DETAIL OF GULLY TRAP 300 X 300MM



SWIVEL SUPPORT FOR HORIZONTAL PIPING



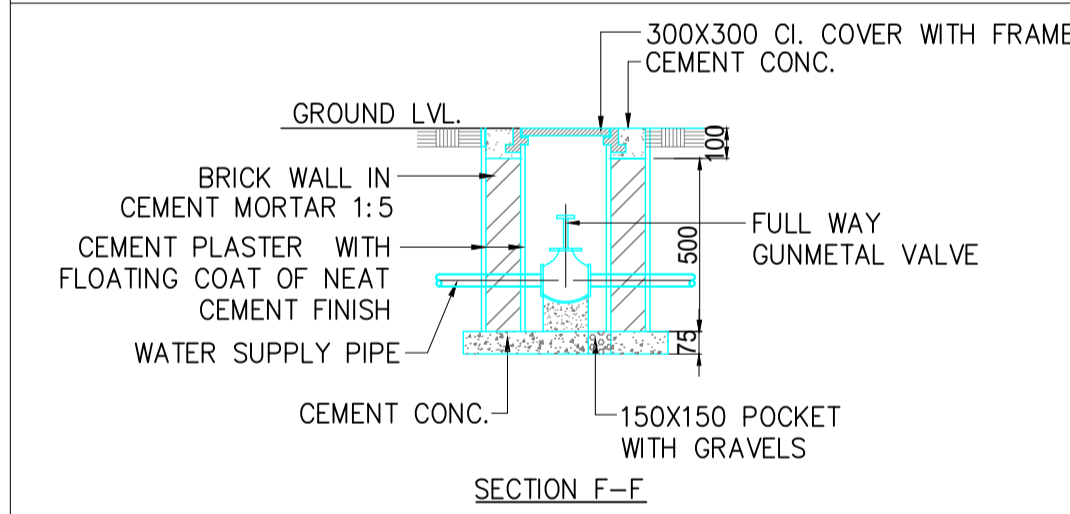
TYPICAL PIPE SUPPORT DETAIL OF SIDE WALL



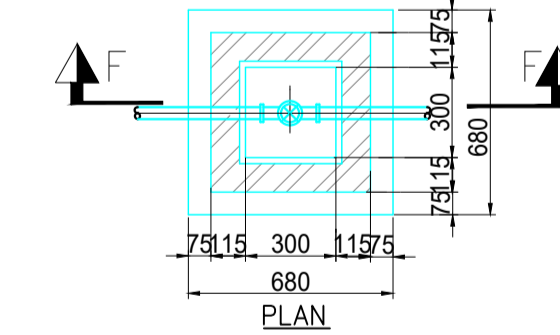
CEILING MOUNTED HORIZONTAL PIPE SUPPORTING ARRANGEMENT

SPACING FOR PIPE SUPPORT ARE AS FOLLOW:-

PIPE SIZE (DN)	SUPPORT DISTANCE	
	HORIZONTAL (m)	VERTICAL (m)
15	1.8	2.4
20-32	2.4	3.0
40-50	2.4	3.7
65-100	3.0	4.6

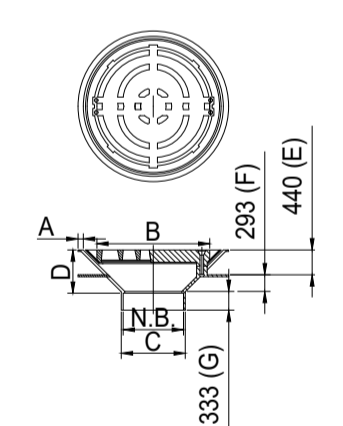


SECTION F-F



TYPICAL DETAIL OF FULL WAY VALVE CHAMBER (UP TO 50MM DIA PIPE)

NEER THRUFLU FLAT GRATE DIMENSIONAL DATA



N.B	A	B	C	D	E	F	G
80	200	150	85	80	33	22	25

TYPICAL DETAIL OF FLOOR DRAIN

GENERAL NOTES	
1. ALL DIMENSIONS ARE IN MILLIMETER UNLESS MENTIONED.	
2. ALL DIMENSIONS ARE TO BE READ AND NOT MEASURED.	
3. ANY DISCREPANCY MUST BE BROUGHT TO THE NOTICE OF THE DMRC BEFORE EXECUTION OF WORK AT SITE.	
4. THIS DRAWING MUST BE READ IN CONJUNCTION WITH ALL RELEVANT ARCHITECTURAL, STRUCTURAL, PLUMBING & FIRE FIGHTING, ELECTRICAL AND TRAFFIC MANAGEMENT DRAWINGS.	

REVISIONS				
REV.	DESCRIPTION	DATE	DRAWN BY	CHECKED BY
R0	ISSUED FIRST SUBMISSION OF TENDER DRAWINGS	27-03-2026	HARI LAL	R.K.

APPROVAL OF NMRC OFFICIALS				
NO.	NAME	DESIGNATION	DATE	SIGNATURE

Certified that this document has been designed and checked in accordance with DDC Quality Assurance Plan.

Architecture Design In-charge/ Coordinator: _____
 Structure Design In-charge/ Coordinator: _____
 E&M Design In-charge/ Coordinator: _____

Authorised Signatory for DDC: NGNEDDC Project Manager

DETAIL DESIGN CONSULTANT : **ayesa**

Ayesa India Private Limited
 D 99, 3rd Floor, Sector 2, Noida -201301, Gautam Budh Nagar, Uttar Pradesh
 Tel.: +(91) 120 490 8800, Email: delhi@ayesa.com

TENDER DESIGN

NOIDA METRO RAIL CORPORATION LTD.
 Block-III, 3rd Floor, Ganga Shopping Complex, Sector-29, Noida -201301, District Gautam Budh Nagar, Uttar Pradesh, India

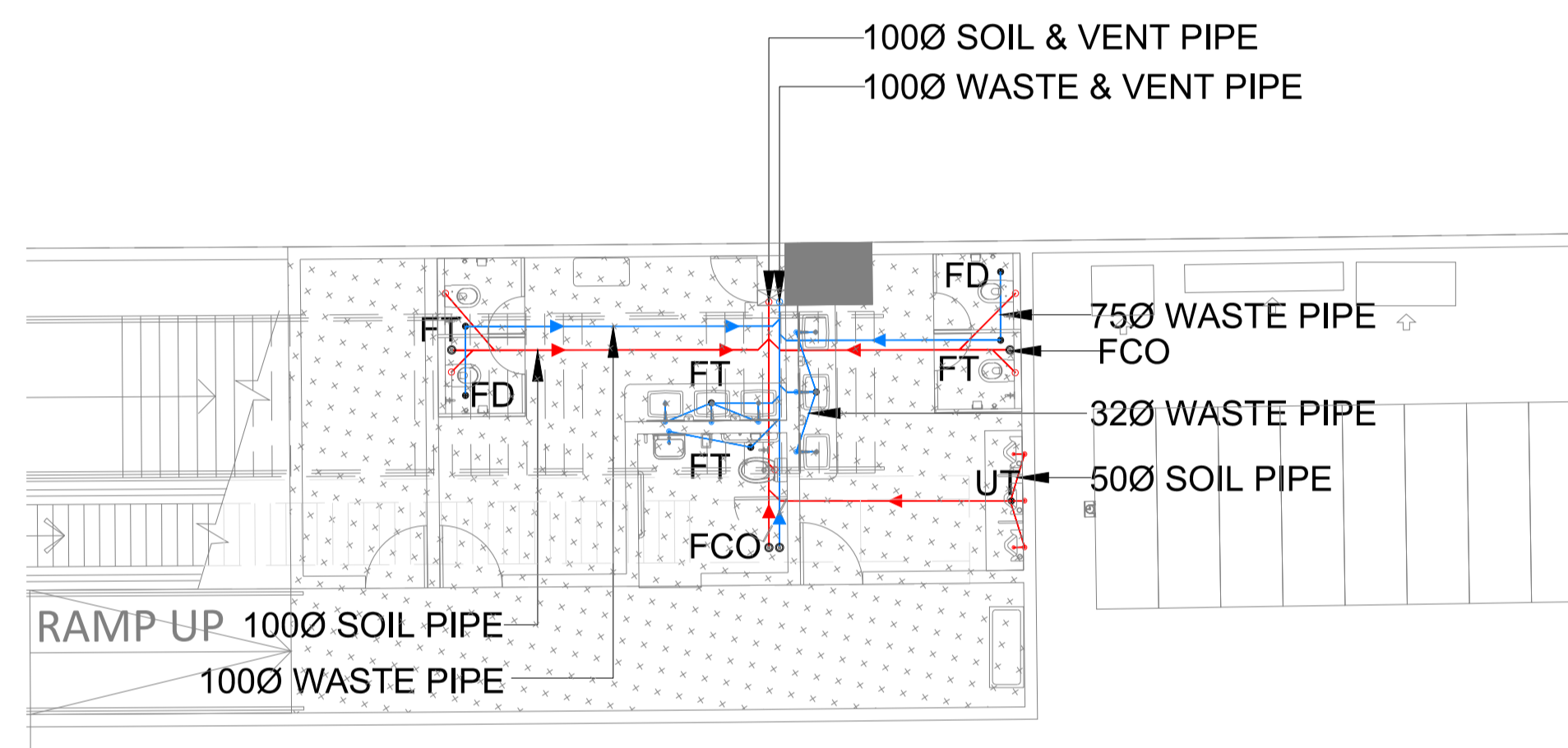
PROJECT: CONTRACT NO: NGNECC-01- Part Design & Construction of Elevated Viaduct and 10 nos. of Elevated Stations for Extension Projects of NMR's Aqua Line from Botanical Garden to Noida Sec-142 (from Chainage (-) 383.959 to 12130.143) and from Depot Station to Boraki MMTH (Chainage 28678.253 to 31263.482)

STATION: NOIDA OFFICE

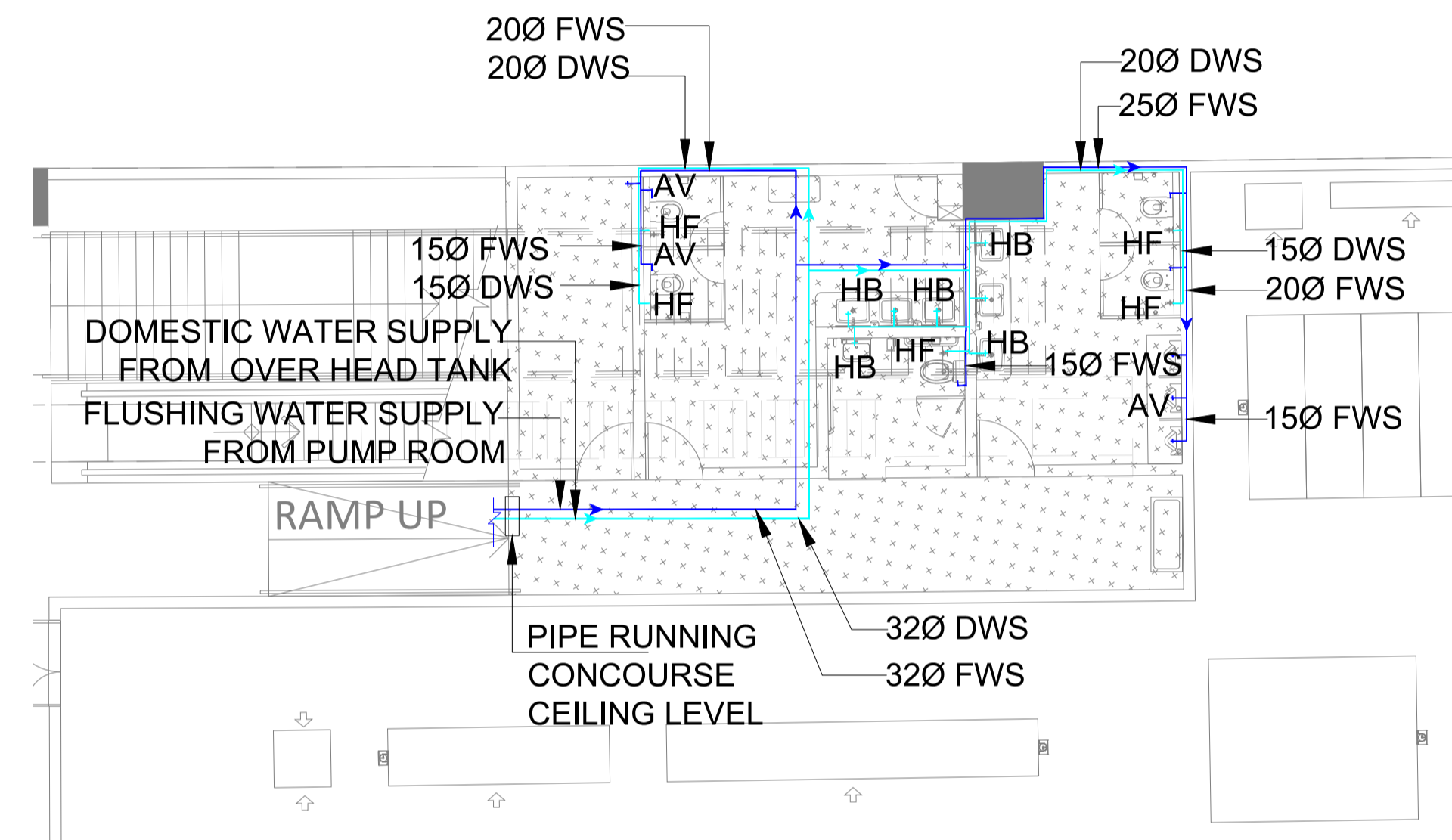
DRAWING TITLE: TYPICAL DETAIL & SECTION - PLUMBING LAYOUT

NORTH	DRAWN BY: HL	CHECKED BY: RK	VERIFIED BY: SJ	APPROVED BY: NG
	DATE: 27-03-2026	REV: R0	SCALE: N.T.S.	STATUS: TED
ORDER N°	DRAWING NUMBER: NGNE-NOFC-TED-PLB-10002	SHEET NO: 01 OF 01	SHEET SIZE: A-1	

NGNEDDC PLUMBING



DRAINAGE LAYOUT



WATER SUPPLY LAYOUT

LEGEND:-

1	WASTE PIPE	
2	SOIL PIPE	
3	FLOOR TRAP	
4	FLOOR DRAIN	
5	URINAL TRAP	
6	FLOOR CLEAN OUT	
7	DOMESTIC WATER SUPPLY PIPE	
8	FLUSHING WATER SUPPLY PIPE	
9	DOMESTIC WATER SUPPLY	DWS
10	FLUSHING WATER SUPPLY	FWS
11	ANGLE VALVE	AV
12	HOSE BIB	HB
13	HEALTH FAUCET	HF
14	BALL VALVE	B-V

TENDER DESIGN

NOIDA METRO RAIL CORPORATION LTD.
Block-III, 3rd Floor, Ganga Shopping Complex, Sector-29, Noida -201301, District Gautam Budh Nagar, Uttar Pradesh, India

PROJECT: CONTRACT NO: NGNECC-01- Part Design & Construction of Elevated Viaduct and 10 nos. of Elevated Stations for Extension Projects of NMRC's Aqua Line from Botanical Garden to Noida Sec-142 (from Chainage (-) 383.959 to 12130.143) and from Depot Station to Boraki MMTH (Chainage 28678.253 to 31263.482)

STATION: NOIDA OFFICE
DRAWING TITLE: TOILET DETAIL -PLUMBING LAYOUT

NORTH	DRAWN BY: HL	CHECKED BY: RK	VERIFIED BY: SJ	APPROVED BY: NG
	DATE: 27-03-2026	REV: R0	SCALE: 1:100	STATUS: TED
ORDER N°	DRAWING NUMBER: NGNE-NOFC-TED-PLB-10003	SHEET NO. 01 OF 01	SHEET SIZE A-1	

Certified that this document has been designed and checked in accordance with DDC Quality Assurance Plan.

Architecture Design In-charge/ Coordinator
Structure Design In-charge/ Coordinator
E&M Design In-charge/ Coordinator



Ayesa India Private Limited
D 99, 3rd Floor, Sector 2, Noida -201301, Gautam Budh Nagar, Uttar Pradesh
Tel.: +(91) 120 490 8800, Email: delhi@ayesa.com

GENERAL NOTES:
1. ALL DIMENSIONS ARE IN MILLIMETER UNLESS MENTIONED.
2. ALL DIMENSIONS ARE TO BE READ AND NOT MEASURED.
3. ANY DISCREPANCY MUST BE BROUGHT TO THE NOTICE OF THE DMRC BEFORE EXECUTION OF WORK AT SITE.
4. THIS DRAWING MUST BE READ IN CONJUNCTION WITH ALL RELEVANT ARCHITECTURAL, STRUCTURAL, PLUMBING & FIRE FIGHTING, ELECTRICAL AND TRAFFIC MANAGEMENT DRAWINGS.

REVISION	DESCRIPTION	DRAWING NO.

REV.	DESCRIPTION	DATE	DRAWN BY	CHECKED BY
R0	ISSUED FIRST SUBMISSION OF TENDER DRAWINGS	27-03-2026	HARI LAL	R.K.

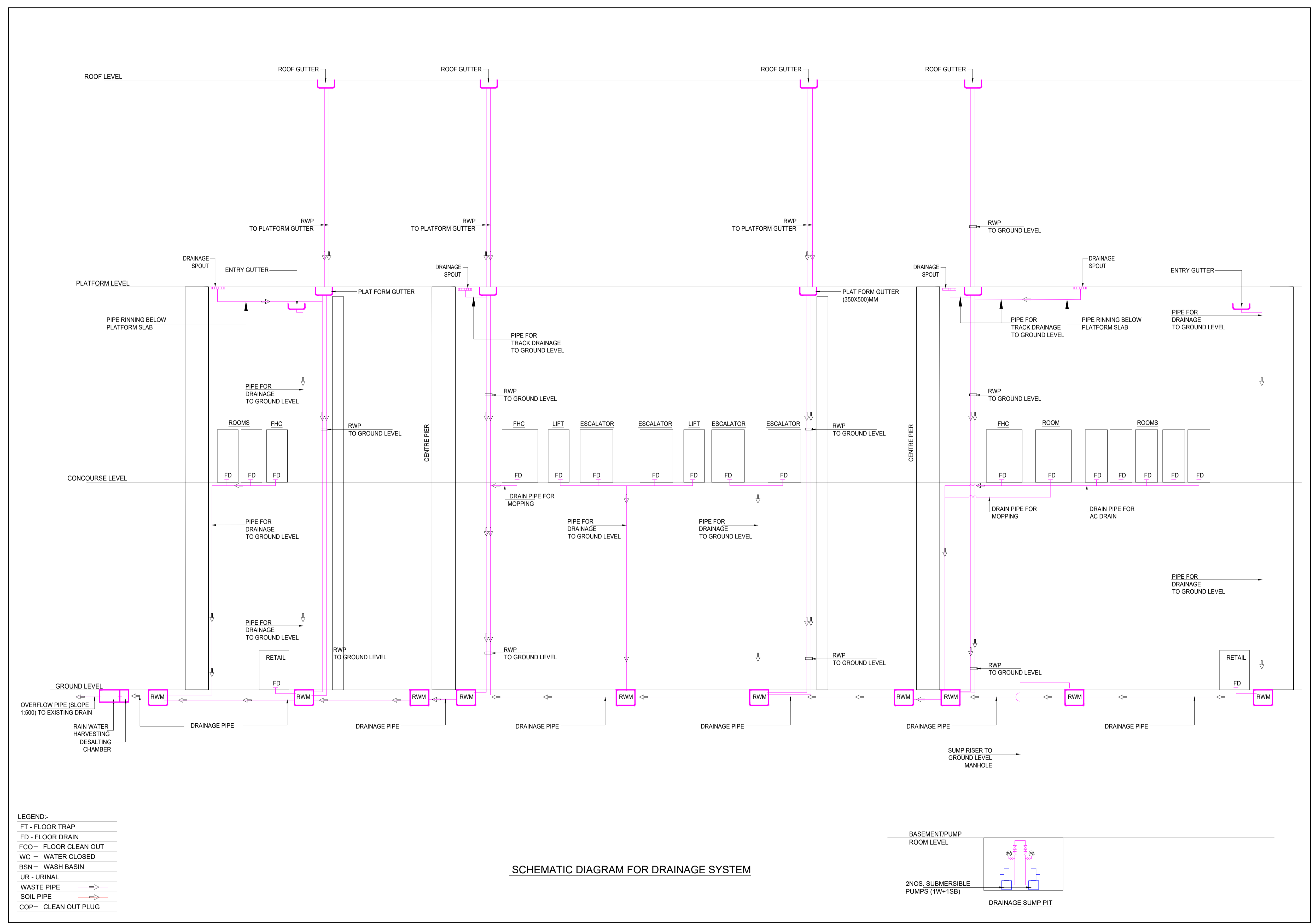
APPROVAL OF NMRC OFFICIALS				

DETAIL DESIGN CONSULTANT :

THIS DRAWING IS THE PROPERTY OF NOIDA METRO RAIL CORPORATION LTD.

PLUMBING

This drawing must not be either loaned, copied or otherwise reproduced in whole or in part or used for any purpose without the prior written permission of NMRC.



SCHMATIC DIAGRAM FOR DRAINAGE SYSTEM

TENDER DESIGN

NOIDA METRO RAIL CORPORATION LTD.
 Block-III, 3rd Floor, Ganga Shopping Complex, Sector-29, Noida -201301,
 District Gautam Budh Nagar, Uttar Pradesh, India

PROJECT: CONTRACT NO: NGNECC-01- Part Design & Construction of Elevated Viaduct and 10 nos. of Elevated Stations for Extension Projects of NMRC's Aqua Line from Botanical Garden to Noida Sec-142 (from Chainage (-) 383.959 to 12130.143) and from Depot Station to Boraki MMTH (Chainage 28678.253 to 31263.482)

STATION: NOIDA OFFICE

DRAWING TITLE: SCHEMATIC DIAGRAM FOR DRAINAGE SYSTEM

NORTH	DRAWN BY: HL	CHECKED BY: RK	VERIFIED BY: SJ	APPROVED BY: NG
	DATE: 27-03-2026	REV: R0	SCALE: N.T.S.	STATUS: TED
ORDER N°	DRAWING NUMBER: NGNE-NOFC-TED-PLB-10004	SHEET NO. 01 OF 01	SHEET SIZE A-1	

This drawing must not be either loaned, copied or otherwise reproduced in whole or in part or used for any purpose without the prior written permission of NMRC.

GENERAL NOTES:

- ALL DIMENSIONS ARE IN MILLIMETER UNLESS MENTIONED.
- ALL DIMENSIONS ARE TO BE READ AND NOT MEASURED.
- ANY DISCREPANCY MUST BE BROUGHT TO THE NOTICE OF THE DMRC BEFORE EXECUTION OF WORK AT SITE.
- THIS DRAWING MUST BE READ IN CONJUNCTION WITH ALL RELEVANT ARCHITECTURAL, STRUCTURAL, PLUMBING & FIRE FIGHTING, ELECTRICAL AND TRAFFIC MANAGEMENT DRAWINGS.

REVISION	DESCRIPTION	DRAWING NO.

REV.	DESCRIPTION	DATE	DRAWN BY	CHECKED BY
R0	ISSUED FIRST SUBMISSION OF TENDER DRAWINGS	27-03-2026	HARI LAL	R.K.

APPROVAL OF NMRC OFFICIALS				

Certified that this document has been designed and checked in accordance with DDC Quality Assurance Plan.

Architecture Design In-charge/ Coordinator: _____
 Structure Design In-charge/ Coordinator: _____
 E&M Design In-charge/ Coordinator: _____

Authorised Signatory for DDC: NGNEDDC Project Manager

DETAIL DESIGN CONSULTANT :

ayesa
 Ayesa India Private Limited
 D 99, 3rd Floor, Sector 2, Noida -201301, Gautam
 Budh Nagar, Uttar Pradesh
 Tel.: +(91) 120 490 8800, Email: delhi@ayesa.com

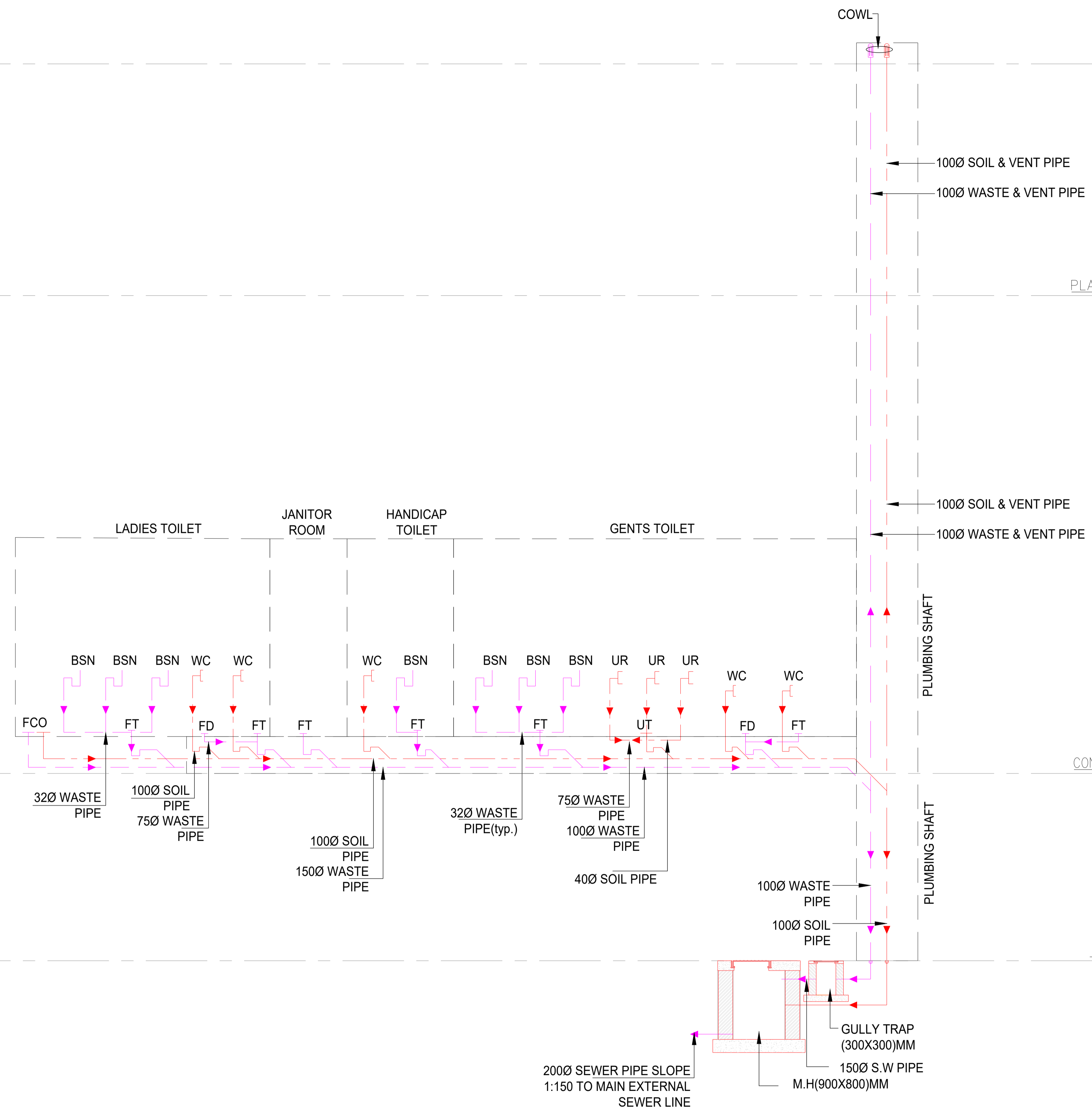
€ OF STATION

ROOF LEVEL

PLATFORM LEVEL

CONCOURSE LEVEL

GROUND LEVEL



LEGEND:-

FT - FLOOR TRAP	
FD - FLOOR DRAIN	
FCO - FLOOR CLEAN OUT	
WC - WATER CLOSED	
BSN - WASH BASIN	
UR - URINAL	
WASTE PIPE	
SOIL PIPE	

SCHEMATIC DIAGRAM FOR SEWAGE SYSTEM

TENDER DESIGN

NOIDA METRO RAIL CORPORATION LTD.
 Block-III, 3rd Floor, Ganga Shopping Complex, Sector-29, Noida -201301, District Gautam Budh Nagar, Uttar Pradesh, India

PROJECT: CONTRACT NO: NGNECC-01- Part Design & Construction of Elevated Viaduct and 10 nos. of Elevated Stations for Extension Projects of NMR's Aqua Line from Botanical Garden to Noida Sec-142 (from Chainage (-) 383.959 to 12130.143) and from Depot Station to Boraki MMTH (Chainage 28678.253 to 31263.482)

STATION: NOIDA OFFICE

DRAWING TITLE: SCHEMATIC DIAGRAM FOR SEWAGE SYSTEM

NORTH	DRAWN BY: HL	CHECKED BY: RK	VERIFIED BY: SJ	APPROVED BY: NG
	DATE: 27-03-2026	REV: R0	SCALE: N.T.S.	STATUS: TED
ORDER N°	DRAWING NUMBER: NGNE-NOFC-TED-PLB-10005	SHEET NO. 01 OF 01	SHEET SIZE A-1	NGNEDDC PLUMBING

This drawing must not be either loaned, copied or otherwise reproduced in whole or in part or used for any purpose without the prior written permission of NMRC.

Certified that this document has been designed and checked in accordance with DDC Quality Assurance Plan.

Authorised Signatory for DDC, NGNEDDC Project Manager

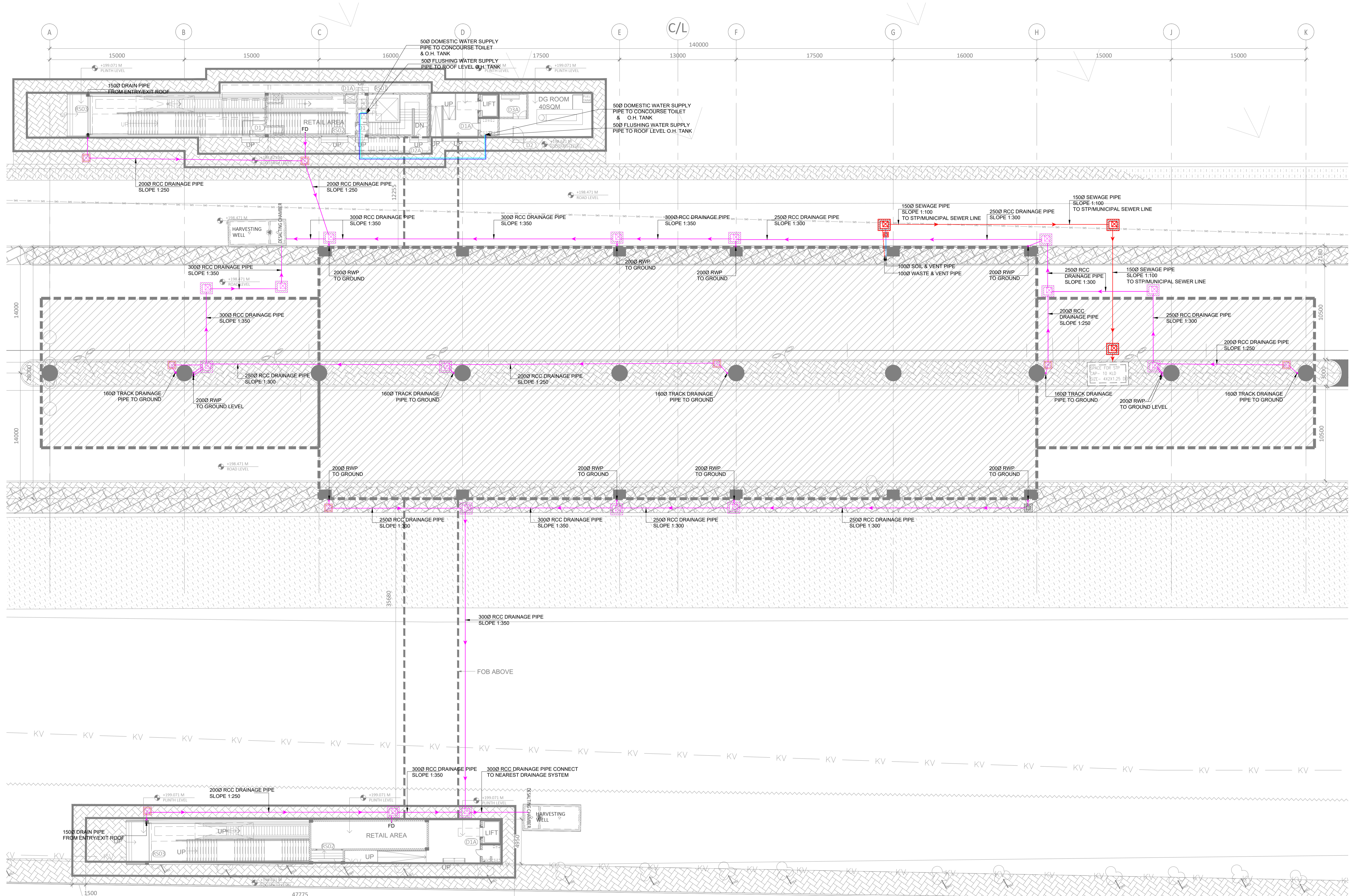
Architecture Design In-charge/ Coordinator Structure Design In-charge/ Coordinator E&M Design In-charge/ Coordinator

DETAIL DESIGN CONSULTANT :

ayesa

Ayesa India Private Limited
 D 99, 3rd Floor, Sector 2, Noida -201301, Gautam Budh Nagar, Uttar Pradesh
 Tel.: +(91) 120 490 8800, Email: delhi@ayesa.com

GENERAL NOTES				REVISIONS				APPROVAL OF NMRC OFFICIALS																													
1. ALL DIMENSIONS ARE IN MILLIMETER UNLESS MENTIONED. 2. ALL DIMENSIONS ARE TO BE READ AND NOT MEASURED. 3. ANY DISCREPANCY MUST BE BROUGHT TO THE NOTICE OF THE DMRC BEFORE EXECUTION OF WORK AT SITE. 4. THIS DRAWING MUST BE READ IN CONJUNCTION WITH ALL RELEVANT ARCHITECTURAL, STRUCTURAL, PLUMBING & FIRE FIGHTING, ELECTRICAL AND TRAFFIC MANAGEMENT DRAWINGS.				<table border="1"> <thead> <tr> <th>REV.</th> <th>DESCRIPTION</th> <th>DATE</th> <th>DRAWN BY</th> <th>CHECKED BY</th> </tr> </thead> <tbody> <tr> <td>R0</td> <td>ISSUED FIRST SUBMISSION OF TENDER DRAWINGS</td> <td>27-03-2026</td> <td>HARI LAL</td> <td>R.K.</td> </tr> </tbody> </table>				REV.	DESCRIPTION	DATE	DRAWN BY	CHECKED BY	R0	ISSUED FIRST SUBMISSION OF TENDER DRAWINGS	27-03-2026	HARI LAL	R.K.	<table border="1"> <thead> <tr> <th>NO.</th> <th>NAME</th> <th>DESIGNATION</th> <th>DATE</th> </tr> </thead> <tbody> <tr> <td> </td> <td> </td> <td> </td> <td> </td> </tr> <tr> <td> </td> <td> </td> <td> </td> <td> </td> </tr> <tr> <td> </td> <td> </td> <td> </td> <td> </td> </tr> </tbody> </table>				NO.	NAME	DESIGNATION	DATE												
REV.	DESCRIPTION	DATE	DRAWN BY	CHECKED BY																																	
R0	ISSUED FIRST SUBMISSION OF TENDER DRAWINGS	27-03-2026	HARI LAL	R.K.																																	
NO.	NAME	DESIGNATION	DATE																																		
<table border="1"> <thead> <tr> <th>REVISION</th> <th>DESCRIPTION</th> <th>DRAWING NO.</th> </tr> </thead> <tbody> <tr> <td> </td> <td> </td> <td> </td> </tr> <tr> <td> </td> <td> </td> <td> </td> </tr> <tr> <td> </td> <td> </td> <td> </td> </tr> </tbody> </table>				REVISION	DESCRIPTION	DRAWING NO.										<table border="1"> <thead> <tr> <th>NO.</th> <th>NAME</th> <th>DESIGNATION</th> <th>DATE</th> </tr> </thead> <tbody> <tr> <td> </td> <td> </td> <td> </td> <td> </td> </tr> <tr> <td> </td> <td> </td> <td> </td> <td> </td> </tr> <tr> <td> </td> <td> </td> <td> </td> <td> </td> </tr> </tbody> </table>				NO.	NAME	DESIGNATION	DATE														
REVISION	DESCRIPTION	DRAWING NO.																																			
NO.	NAME	DESIGNATION	DATE																																		



LEGEND:

SYMBOL	DESCRIPTION
●	FLOOR DRAIN
○	SEWER MANHOLE
□	DRAINAGE MANHOLE
■	CATCH BASIN

TENDER DESIGN

NOIDA METRO RAIL CORPORATION LTD.
 Block-III, 3rd Floor, Ganga Shopping Complex, Sector-29, Noida -201301, District Gautam Budh Nagar, Uttar Pradesh, India

PROJECT: CONTRACT NO: NGNECC-01- Part Design & Construction of Elevated Viaduct and 10 nos. of Elevated Stations for Extension Projects of NMRC's Aqua Line from Botanical Garden to Noida Sec-142 (from Chainage (+) 383.959 to 12130.143) and from Depot Station to Boraki MMTH (Chainage 28678.253 to 31263.482)

STATION: PANCHSHEEL BALAK INTER COLLEGE STATION

DRAWING TITLE: GROUND FLOOR PLAN -DRAINAGE & WATER SUPPLY LAYOUT

DRWN BY: HL	CHEK BY: RK	VERIFIED BY: SJ	APPROVED BY: NG
DATE: 27-03-2026	REV: R0	SCALE: 1:200	STATUS: TED
DRAWING NUMBER: NGNE-PBIC-TED-PLB-11001	SHEET NO. 01 OF 01	SHEET SIZE A-1	

NGNEDDC PLUMBING

Certified that this document has been designed and checked in accordance with DDC Quality Assurance Plan.

Architecture Design In-charge/ Coordinator: _____
 Structure Design In-charge/ Coordinator: _____
 E&M Design In-charge/ Coordinator: _____

Authorised Signatory for DDC, NGNEDDC Project Manager: _____

DETAIL DESIGN CONSULTANT : **ayesa**

Ayesa India Private Limited
 D 99, 3rd Floor, Sector 2, Noida -201301, Gautam Budh Nagar, Uttar Pradesh
 Tel.: +(91) 120 490 8800, Email: delhi@ayesa.com

APPROVAL OF NMRC OFFICIALS

--	--	--	--	--	--

REVISIONS

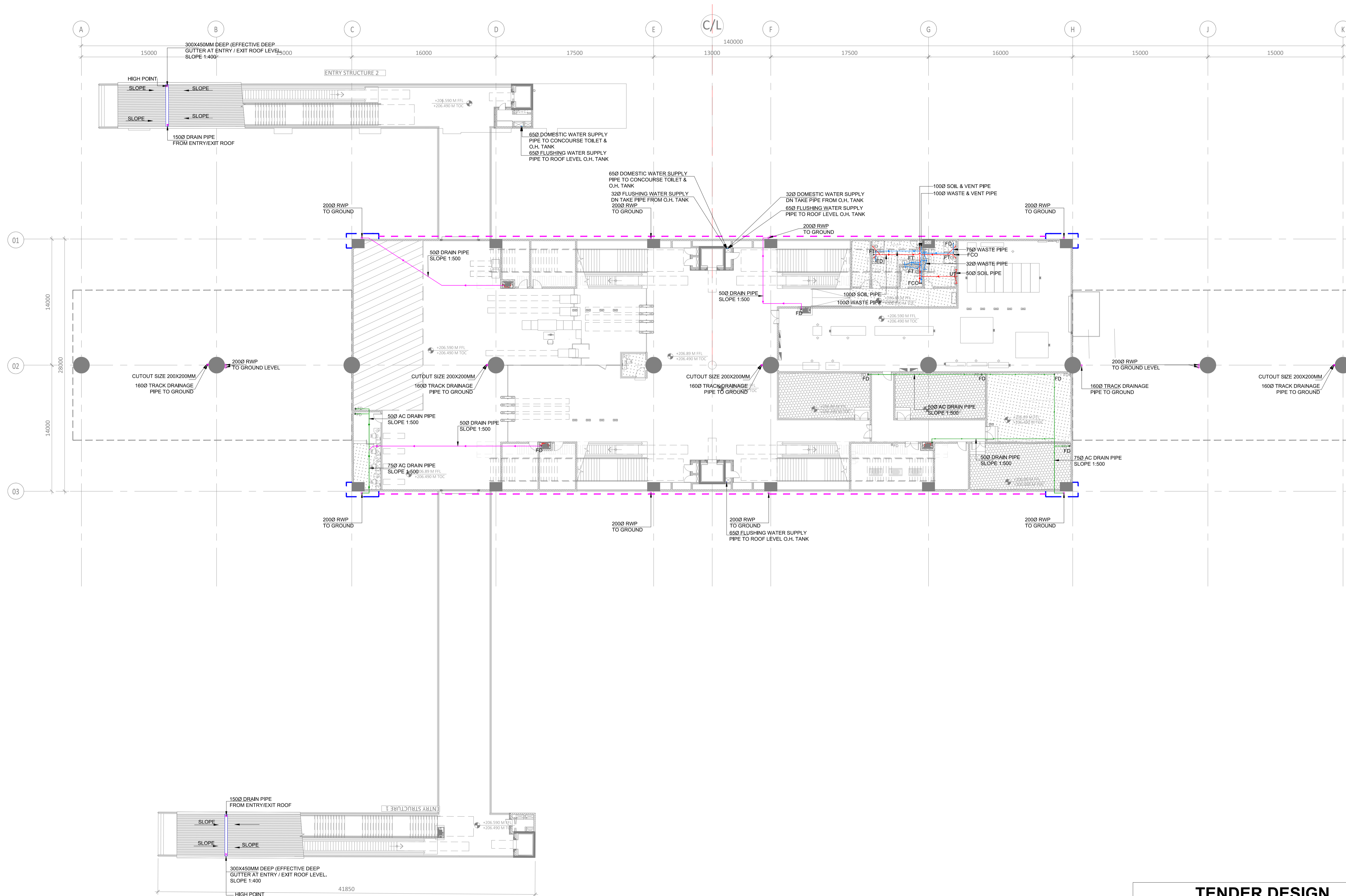
REV.	DESCRIPTION	DATE	DRAWN BY	CHECKED BY
R0	ISSUED FIRST SUBMISSION OF TENDER DRAWINGS	27-03-2026	HL	RK

GENERAL NOTES:

- ALL DIMENSIONS ARE IN MILLIMETER UNLESS MENTIONED.
- ALL DIMENSIONS ARE TO BE READ AND NOT MEASURED.
- ANY DISCREPANCY MUST BE BROUGHT TO THE NOTICE OF THE DMRC BEFORE EXECUTION OF WORK AT SITE.
- THIS DRAWING MUST BE READ IN CONJUNCTION WITH ALL RELEVANT ARCHITECTURAL, STRUCTURAL, PLUMBING & FIRE FIGHTING, ELECTRICAL AND TRAFFIC MANAGEMENT DRAWINGS.

REVISION	REFERENCE DRAWINGS DESCRIPTION	DRAWING NO.

THIS DRAWING IS THE PROPERTY OF Noida Metro Rail Corporation Ltd.



GENERAL NOTES

1. ALL DIMENSIONS ARE IN MILLIMETER UNLESS MENTIONED.
2. ALL DIMENSIONS ARE TO BE READ AND NOT MEASURED.
3. ANY DISCREPANCY MUST BE BROUGHT TO THE NOTICE OF THE DMRC BEFORE EXECUTION OF WORK AT SITE.
4. THIS DRAWING MUST BE READ IN CONJUNCTION WITH ALL RELEVANT ARCHITECTURAL, STRUCTURAL, PLUMBING & FIRE FIGHTING, ELECTRICAL AND TRAFFIC MANAGEMENT DRAWINGS.

REV.	DESCRIPTION	DATE	DRAWN BY	CHECKED BY
R0	ISSUED FIRST SUBMISSION OF TENDER DRAWINGS	27-03-2026	HARI LAL	R.K.

REVISION	DESCRIPTION	DRAWING NO.

APPROVAL OF NMRC OFFICIALS

TENDER DESIGN

NOIDA METRO RAIL CORPORATION LTD.
Block-III, 3rd Floor, Ganga Shopping Complex, Sector-29, Noida -201301, District Gautam Budh Nagar, Uttar Pradesh, India

PROJECT: CONTRACT NO: NGNECC-01- Part Design & Construction of Elevated Viaduct and 10 nos. of Elevated Stations for Extension Projects of NMRC's Aqua Line from Botanical Garden to Noida Sec-142 (from Chainage (-) 383.959 to 12130.143) and from Depot Station to Boraki MMTH (Chainage 28678.253 to 31263.482)

STATION: PANCHSHEEL BALAK INTER COLLEGE STATION

DRAWING TITLE: CONCOURSE LEVEL PLAN -DRAINAGE LAYOUT

	DRAWN BY: HL DATE: 27-03-2026 ORDER N°:	CHECKED BY: RK REV: R0 DRAWING NUMBER: NGNE-PBIC-TED-PLB-13001	VERIFIED BY: SJ SCALE: 1:200 SHEET NO. 01 OF 01	APPROVED BY: NG STATUS: TED SHEET SIZE: A-1
--	-----------------------------------------------	----------------------------------------------------------------------	-------------------------------------------------------	---------------------------------------------------

NGNEDDC PLUMBING

This drawing must not be either loaned, copied or otherwise reproduced in whole or in part or used for any purpose without the prior written permission of NMRC.

Certified that this document has been designed and checked in accordance with DDC Quality Assurance Plan.

Architecture Design In-charge/ Coordinator Structure Design In-charge/ Coordinator E&M Design In-charge/ Coordinator

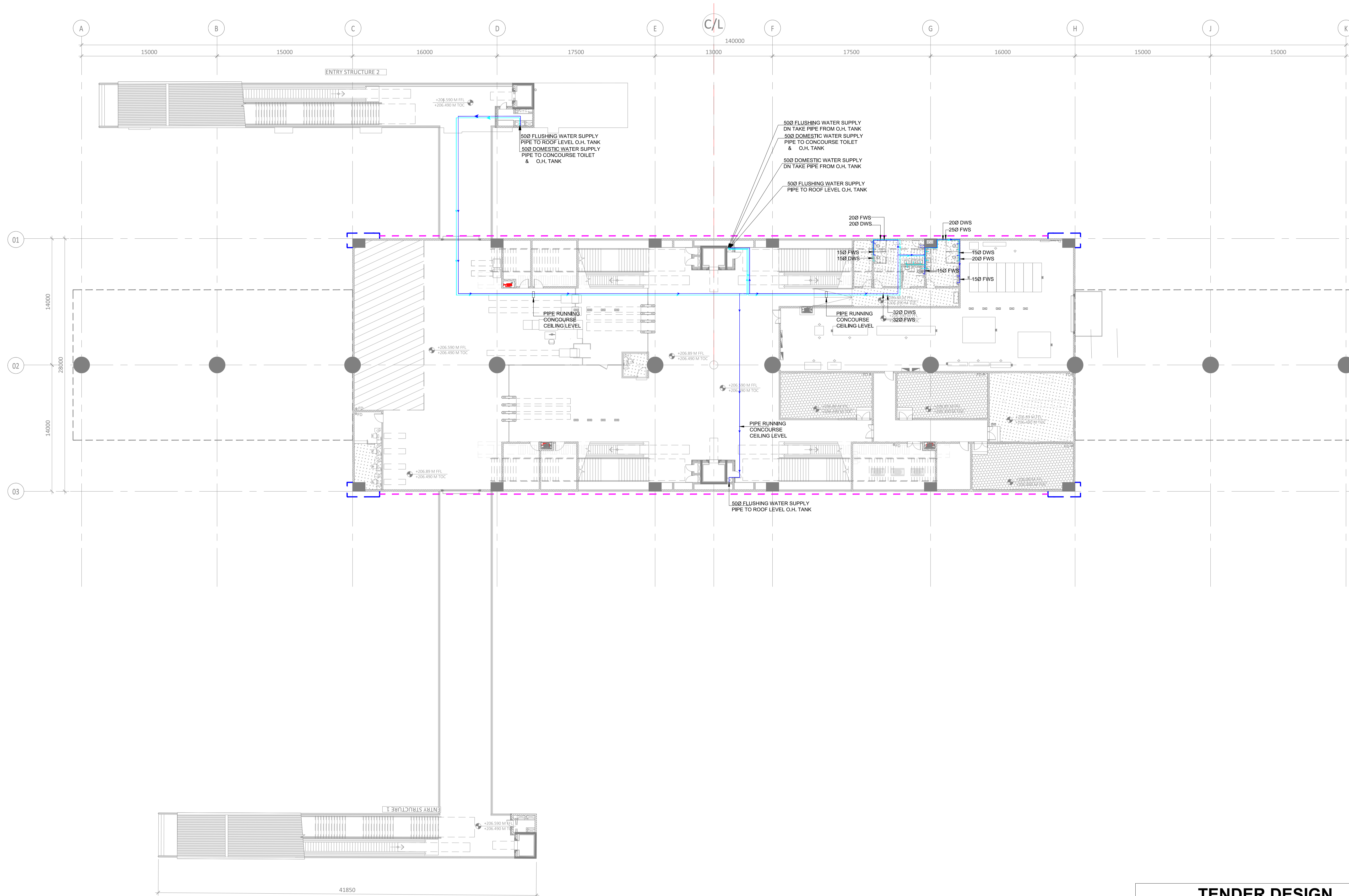
Authorised Signatory for DDC, NGNEDDC Project Manager

DETAIL DESIGN CONSULTANT :

ayesa

Ayesa India Private Limited
D 99, 3rd Floor, Sector 2, Noida -201301, Gautam Budh Nagar, Uttar Pradesh
Tel.: +(91) 120 490 8800, Email: delhi@ayesa.com

THIS DRAWING IS THE PROPERTY OF NOIDA METRO RAIL CORPORATION LTD.



GENERAL NOTES

1. ALL DIMENSIONS ARE IN MILLIMETER UNLESS MENTIONED.
2. ALL DIMENSIONS ARE TO BE READ AND NOT MEASURED.
3. ANY DISCREPANCY MUST BE BROUGHT TO THE NOTICE OF THE DMRC BEFORE EXECUTION OF WORK AT SITE.
4. THIS DRAWING MUST BE READ IN CONJUNCTION WITH ALL RELEVANT ARCHITECTURAL, STRUCTURAL, PLUMBING & FIRE FIGHTING, ELECTRICAL AND TRAFFIC MANAGEMENT DRAWINGS.

REVISION	DESCRIPTION	DRAWING NO.

REVISIONS				
REV.	DESCRIPTION	DATE	DRAWN BY	CHECKED BY
R0	ISSUED FIRST SUBMISSION OF TENDER DRAWINGS	27-03-2026	HARI LAL	R.K.

APPROVAL OF NMRC OFFICIALS				

Certified that this document has been designed and checked in accordance with DDC Quality Assurance Plan.

Authorised Signatory for DDC.
NGNEDDC Project Manager

Architecture Design In-charge/ Coordinator	Structure Design In-charge/ Coordinator	E&M Design In-charge/ Coordinator
-----------------------------------------------	--------------------------------------------	--------------------------------------

DETAIL DESIGN CONSULTANT :

ayesa

Ayesa India Private Limited
D 99, 3rd Floor, Sector 2, Noida -201301, Gautam
Budh Nagar, Uttar Pradesh
Tel.: +(91) 120 490 8800, Email: delhi@ayesa.com

TENDER DESIGN

NOIDA METRO RAIL CORPORATION LTD.
Block-III, 3rd Floor, Ganga Shopping Complex, Sector-29, Noida -201301,
District Gautam Budh Nagar, Uttar Pradesh, India

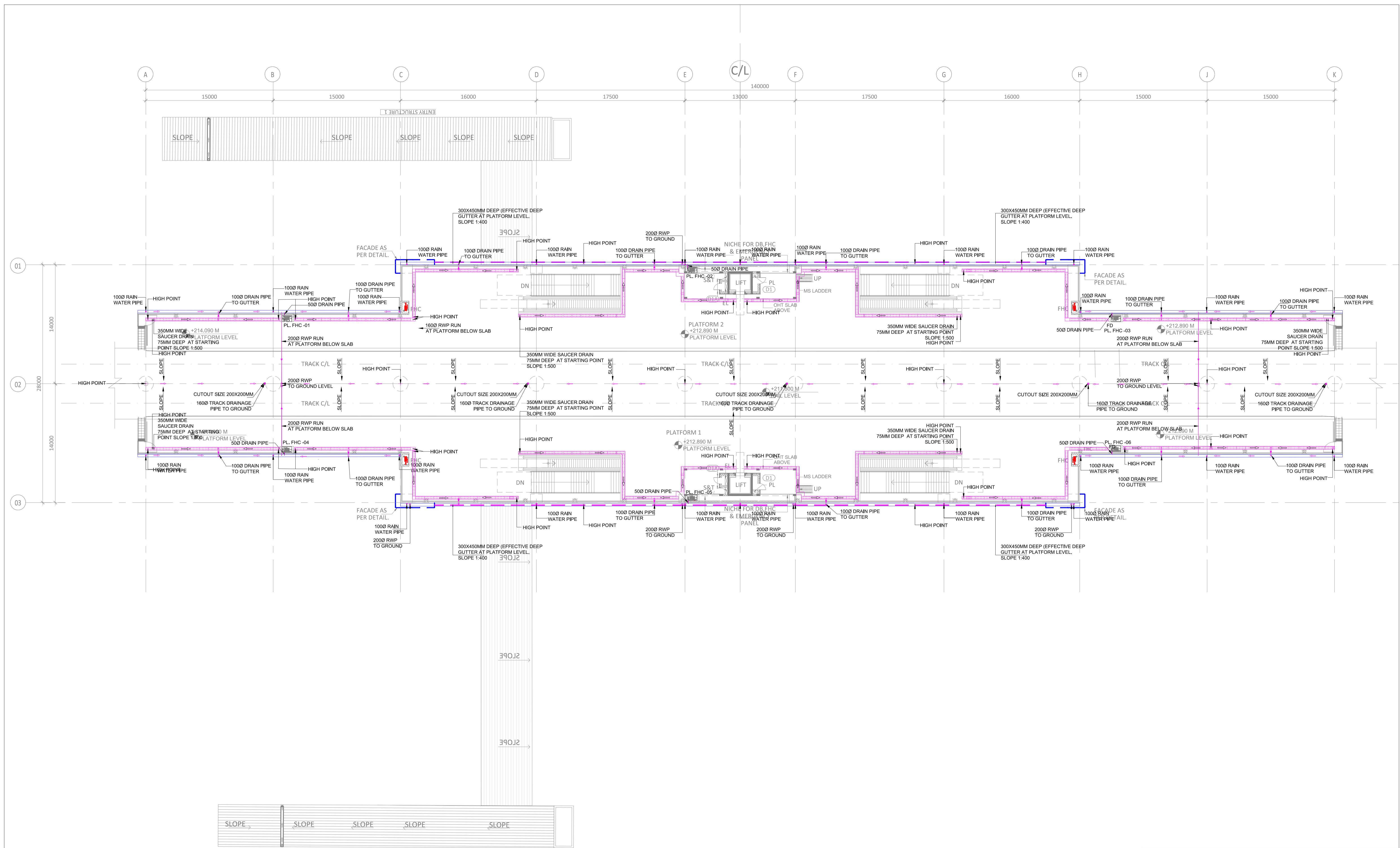
PROJECT: CONTRACT NO: NGNECC-01- Part Design & Construction of Elevated Viaduct and 10 nos. of Elevated Stations for Extension Projects of NMRC's Aqua Line from Botanical Garden to Noida Sec-142 (from Chainage (-) 383.959 to 12130.143) and from Depot Station to Boraki MMTH (Chainage 28678.253 to 31263.482)

STATION: PANCHSHEEL BALAK INTER COLLEGE STATION

DRAWING TITLE: CONCOURSE LEVEL PLAN -WATER SUPPLY LAYOUT

NORTH	DRAWN BY: HL	CHECKED BY: RK	VERIFIED BY: SJ	APPROVED BY: NG
	DATE: 27-03-2026	REV: R0	SCALE: 1:200	STATUS: TED
ORDER N°	DRAWING NUMBER: NGNE-PBIC-TED-PLB-13002	SHEET NO. 01 OF 01	SHEET SIZE A-1	NGNEDDC PLUMBING

This drawing must not be either loaned, copied or otherwise reproduced in whole or in part or used for any purpose without the prior written permission of NMRC.



TENDER DESIGN

NOIDA METRO RAIL CORPORATION LTD.
 Block-III, 3rd Floor, Ganga Shopping Complex, Sector-29, Noida -201301, District Gautam Budh Nagar, Uttar Pradesh, India

PROJECT: CONTRACT NO: NGNECC-01- Part Design & Construction of Elevated Viaduct and 10 nos. of Elevated Stations for Extension Projects of NMR's Aqua Line from Botanical Garden to Noida Sec-142 (from Chainage (+) 383.959 to 12130.143) and from Depot Station to Boraki MMTH (Chainage 28678.253 to 31263.482)

STATION: PANCHSHEEL BALAK INTER COLLEGE STATION

DRAWING TITLE: PLATFORM LEVEL PLAN-DRAINAGE LAYOUT

DRAWN BY: HL	CHECKED BY: RK	VERIFIED BY: SJ	APPROVED BY: NG
DATE: 27-03-2026	REV: R0	SCALE: 1:200	STATUS: TED
ORDER N°	DRAWING NUMBER: NGNE-PBIC-TED-PLB-14001	SHEET NO. 01 OF 01	SHEET SIZE A-1

NGNECC PLUMBING

Certified that this document has been designed and checked in accordance with DDC Quality Assurance Plan.

Architecture Design In-charge/ Coordinator Structure Design In-charge/ Coordinator E&M Design In-charge/ Coordinator

Authorised Signatory for DDC, NGNECC Project Manager

ayesa
 Ayesa India Private Limited
 D 99, 3rd Floor, Sector 2, Noida -201301, Gautam Budh Nagar, Uttar Pradesh
 Tel.: +(91) 120 490 8800, Email: delhi@ayesa.com

APPROVAL OF NMRC OFFICIALS

--	--	--	--	--	--

REVISIONS

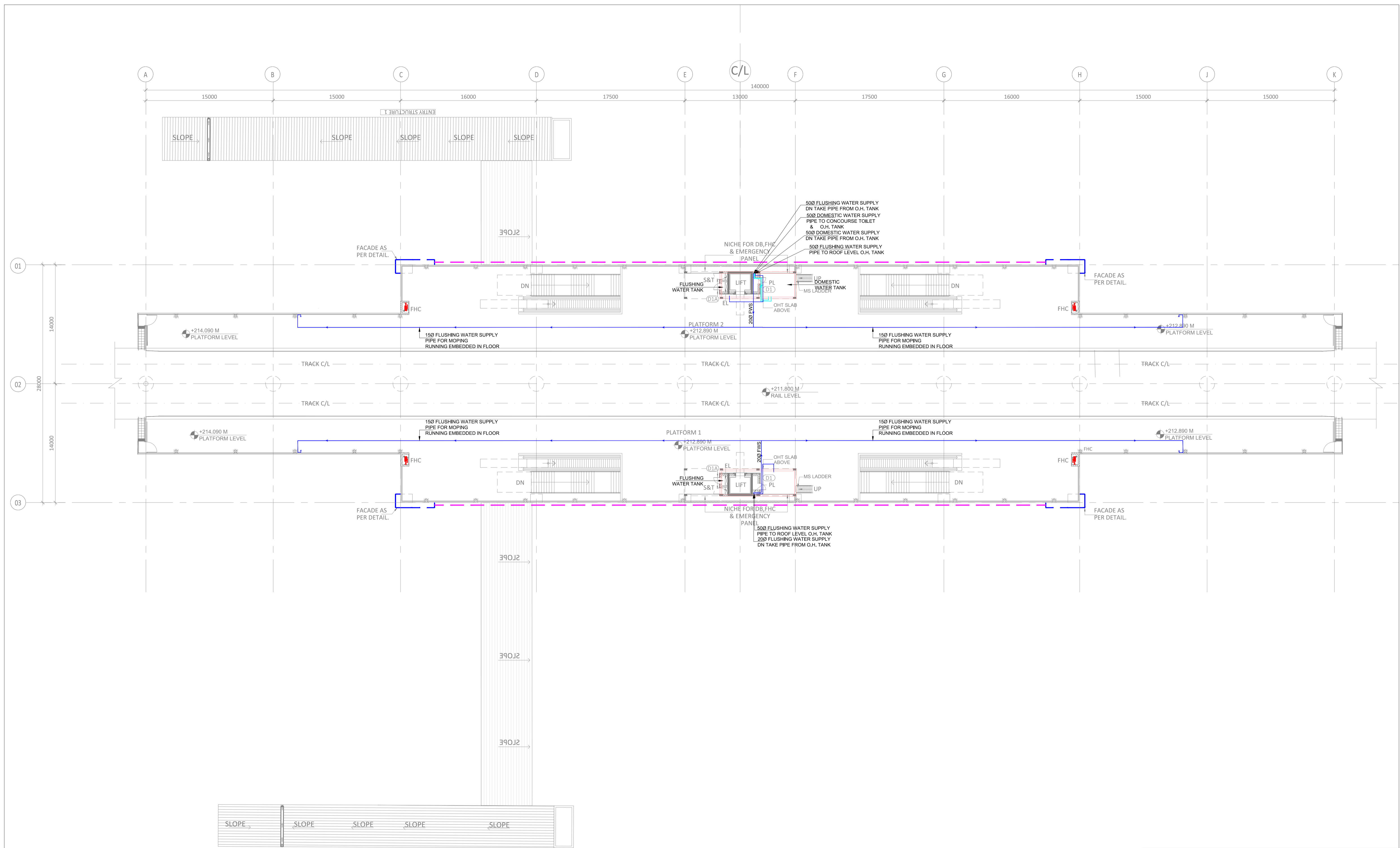
REV.	DESCRIPTION	DATE	DRAWN BY	CHECKED BY
R0	ISSUED FIRST SUBMISSION OF TENDER DRAWINGS	27-03-2026	HARI LAL	R.K.

GENERAL NOTES

- ALL DIMENSIONS ARE IN MILLIMETER UNLESS MENTIONED.
- ALL DIMENSIONS ARE TO BE READ AND NOT MEASURED.
- ANY DISCREPANCY MUST BE BROUGHT TO THE NOTICE OF THE DMRC BEFORE EXECUTION OF WORK AT SITE.
- THIS DRAWING MUST BE READ IN CONJUNCTION WITH ALL RELEVANT ARCHITECTURAL, STRUCTURAL, PLUMBING & FIRE FIGHTING, ELECTRICAL AND TRAFFIC MANAGEMENT DRAWINGS.

REVISION	REFERENCE DRAWINGS DESCRIPTION	DRAWING NO.

THIS DRAWING IS THE PROPERTY OF NOIDA METRO RAIL CORPORATION LTD.



GENERAL NOTES

- ALL DIMENSIONS ARE IN MILLIMETER UNLESS MENTIONED.
- ALL DIMENSIONS ARE TO BE READ AND NOT MEASURED.
- ANY DISCREPANCY MUST BE BROUGHT TO THE NOTICE OF THE DMRC BEFORE EXECUTION OF WORK AT SITE.
- THIS DRAWING MUST BE READ IN CONJUNCTION WITH ALL RELEVANT ARCHITECTURAL, STRUCTURAL, PLUMBING & FIRE FIGHTING, ELECTRICAL AND TRAFFIC MANAGEMENT DRAWINGS.

REVISION	DESCRIPTION	DRAWING NO.

REVISIONS				
REV.	DESCRIPTION	DATE	DRAWN BY	CHECKED BY
R0	ISSUED FIRST SUBMISSION OF TENDER DRAWINGS	27-03-2026	HARI LAL	R.K.

APPROVAL OF NMRC OFFICIALS				

Certified that this document has been designed and checked in accordance with DDC Quality Assurance Plan.

Authorised Signatory for DDC.
NGNEDDC Project Manager

Architecture Design In-charge/ Coordinator	Structure Design In-charge/ Coordinator	E&M Design In-charge/ Coordinator
-----------------------------------------------	--------------------------------------------	--------------------------------------

DETAIL DESIGN CONSULTANT :

ayesa

Ayesa India Private Limited
D 99, 3rd Floor, Sector 2, Noida -201301, Gautam
Budh Nagar, Uttar Pradesh
Tel.: +(91) 120 490 8800, Email: delhi@ayesa.com

TENDER DESIGN

NOIDA METRO RAIL CORPORATION LTD.
Block-III, 3rd Floor, Ganga Shopping Complex, Sector-29, Noida -201301,
District Gautam Budh Nagar, Uttar Pradesh, India

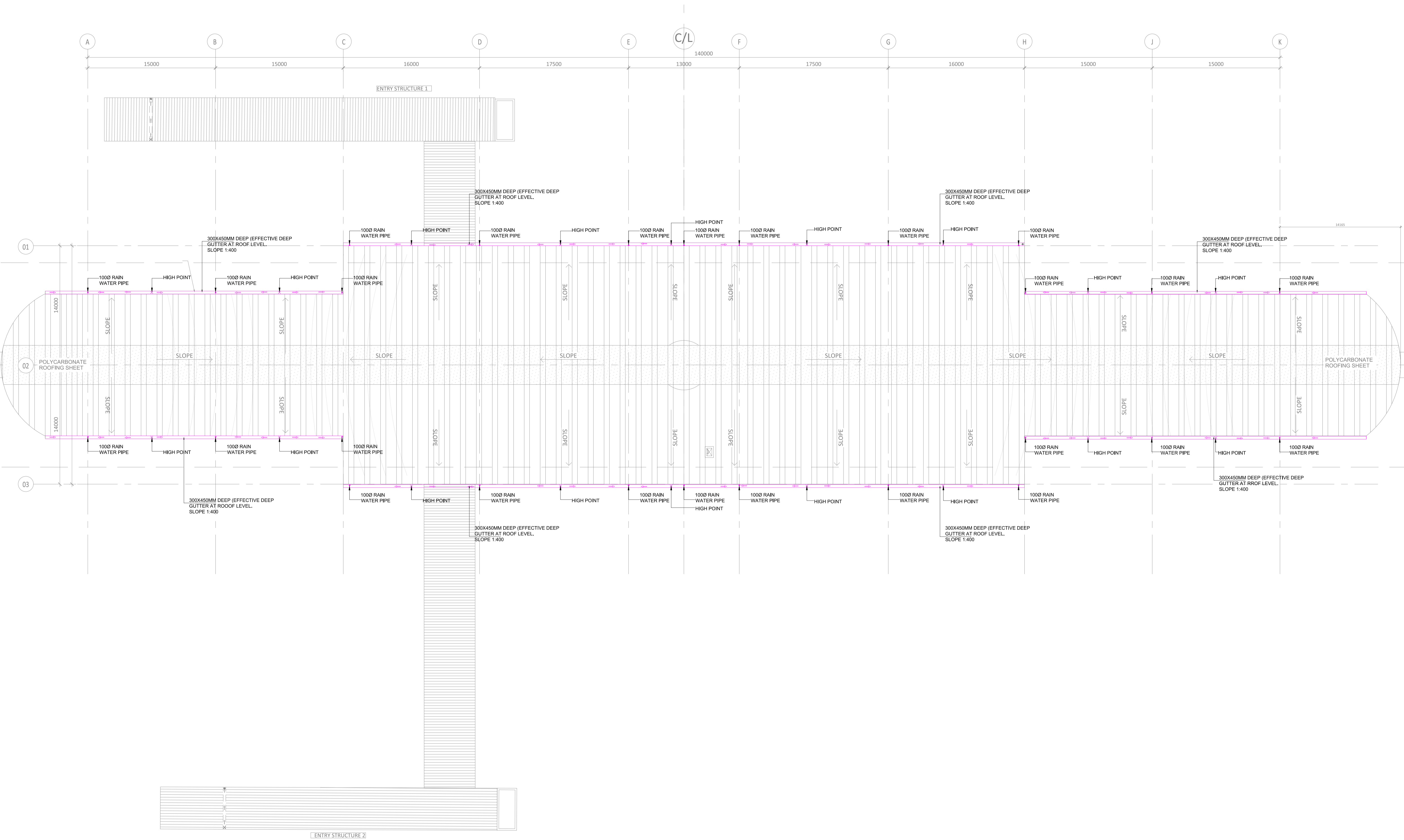
PROJECT: CONTRACT NO: NGNECC-01- Part Design & Construction of Elevated Viaduct and 10 nos. of Elevated Stations for Extension Projects of NMRC's Aqua Line from Botanical Garden to Noida Sec-142 (from Chainage (-) 383.959 to 12130.143) and from Depot Station to Boraki MMTH (Chainage 28678.253 to 31263.482)

STATION: PANCHSHEEL BALAK INTER COLLEGE STATION

DRAWING TITLE: PLATFORM LEVEL PLAN-WATER SUPPLY LAYOUT

NORTH	DRAWN BY: HL	CHECKED BY: RK	VERIFIED BY: SJ	APPROVED BY: NG
	DATE: 27-03-2026	REV: R0	SCALE: 1:200	STATUS: TED
ORDER N°	DRAWING NUMBER: NGNE-PBIC-TED-PLB-14002	SHEET NO. 01 OF 01	SHEET SIZE A-1	NGNEDDC PLUMBING

This drawing must not be either loaned, copied or otherwise reproduced in whole or in part or used for any purpose without the prior written permission of NMRC.



GENERAL NOTES

1. ALL DIMENSIONS ARE IN MILLIMETER UNLESS MENTIONED.
2. ALL DIMENSIONS ARE TO BE READ AND NOT MEASURED.
3. ANY DISCREPANCY MUST BE BROUGHT TO THE NOTICE OF THE DMRC BEFORE EXECUTION OF WORK AT SITE.
4. THIS DRAWING MUST BE READ IN CONJUNCTION WITH ALL RELEVANT ARCHITECTURAL, STRUCTURAL, PLUMBING & FIRE FIGHTING, ELECTRICAL AND TRAFFIC MANAGEMENT DRAWINGS.

REVISION	DESCRIPTION	DRAWING NO.

REV.	DESCRIPTION	DATE	DRAWN BY	CHECKED BY
R0	ISSUED FIRST SUBMISSION OF TENDER DRAWINGS	27-03-2026	HARI LAL	R.K.

APPROVAL OF NMRC OFFICIALS				

Certified that this document has been designed and checked in accordance with DDC Quality Assurance Plan.

Authorised Signatory for DDC:
 NGNEDDC Project Manager

Architecture Design In-charge/ Coordinator	Structure Design In-charge/ Coordinator	E&M Design In-charge/ Coordinator
-----------------------------------------------	--------------------------------------------	--------------------------------------

DETAIL DESIGN CONSULTANT :

ayesa
 Ayesa India Private Limited
 D 99, 3rd Floor, Sector 2, Noida -201301, Gautam
 Budh Nagar, Uttar Pradesh
 Tel.: +(91) 120 490 8800, Email: delhi@ayesa.com

TENDER DESIGN

NOIDA METRO RAIL CORPORATION LTD.
 Block-III, 3rd Floor, Ganga Shopping Complex, Sector-29, Noida -201301,
 District Gautam Budh Nagar, Uttar Pradesh, India

PROJECT: CONTRACT NO: NGNECC-01- Part Design & Construction of Elevated Viaduct and 10 nos. of Elevated Stations for Extension Projects of NMRC's Aqua Line from Botanical Garden to Noida Sec-142 (from Chainage (-) 383.959 to 12130.143) and from Depot Station to Boraki MMTH (Chainage 28678.253 to 31263.482)

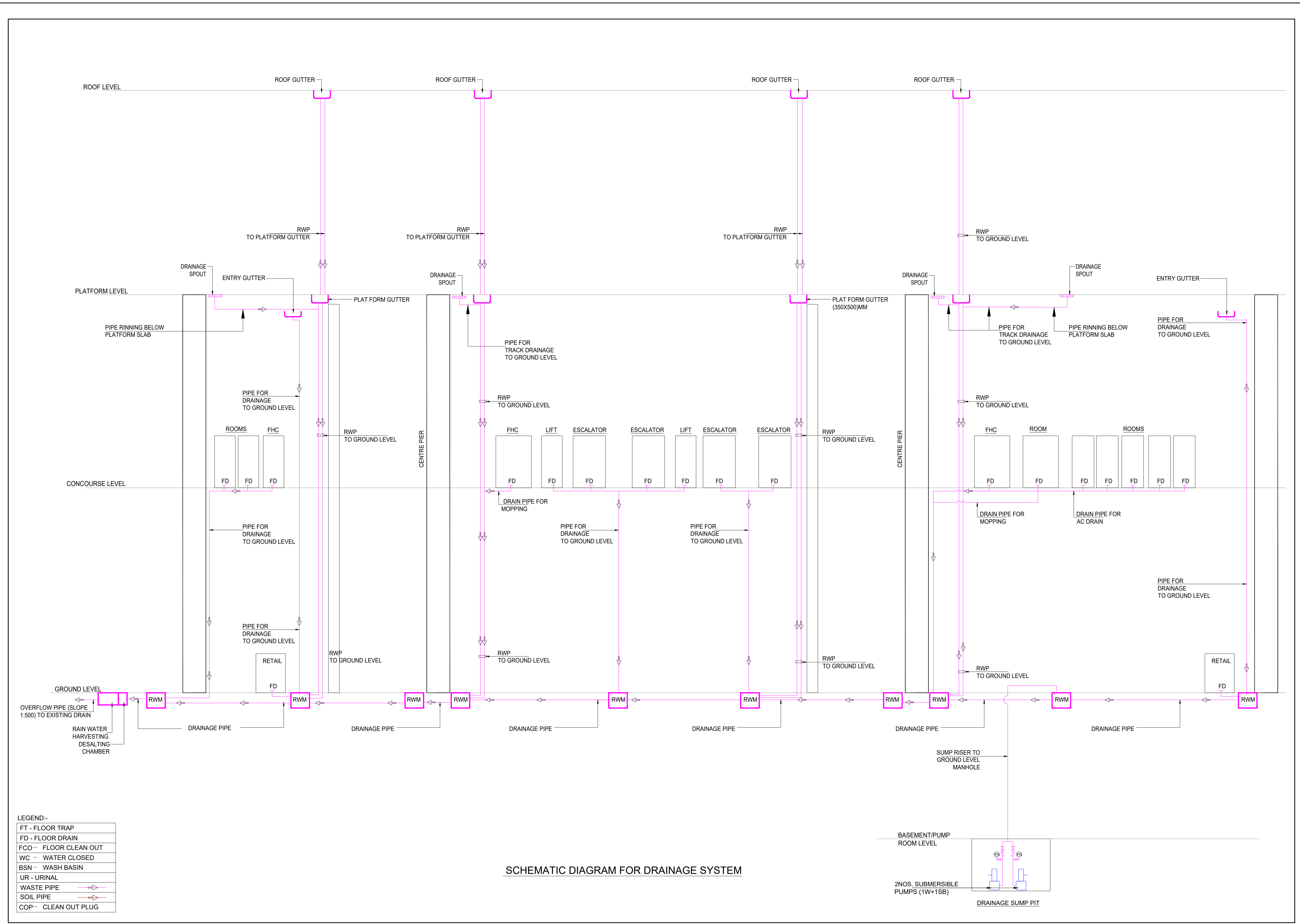
STATION: **PANCHSHEEL BALAK INTER COLLEGE STATION**

DRAWING TITLE: **ROOF LEVEL PLAN-DRAINAGE LAYOUT**

 NORTH	DRAWN BY: <i>HL</i> DATE: 27-03-2026	CHECKED BY: <i>RK</i> REV: R0	VERIFIED BY: <i>SJ</i> SCALE: 1:200	APPROVED BY: <i>NG</i> STATUS: TED
ORDER N°	DRAWING NUMBER: NGNE-PBIC-TED-PLB-15001	SHEET NO. 01 OF 01	SHEET SIZE A-1	

This drawing must not be either loaned, copied or otherwise reproduced in whole or in part or used for any purpose without the prior written permission of NMRC.

THIS DRAWING IS THE PROPERTY OF Noida Metro Rail Corporation Ltd.



SCHMATIC DIAGRAM FOR DRAINAGE SYSTEM

LEGEND:-

FT - FLOOR TRAP
FD - FLOOR DRAIN
FCO - FLOOR CLEAN OUT
WC - WATER CLOSED
BSN - WASH BASIN
UR - URINAL
WASTE PIPE
SOIL PIPE
COP - CLEAN OUT PLUG

TENDER DESIGN

NOIDA METRO RAIL CORPORATION LTD.
Block-III, 3rd Floor, Ganga Shopping Complex, Sector-29, Noida -201301,
District Gautam Budh Nagar, Uttar Pradesh, India

PROJECT: CONTRACT NO: NGNECC-01- Part Design & Construction of Elevated Viaduct and 10 nos. of Elevated Stations for Extension Projects of NMRC's Aqua Line from Botanical Garden to Noida Sec-142 (from Chainage (-) 383.959 to 12130.143) and from Depot Station to Boraki MMTH (Chainage 28678.253 to 31263.482)

STATION: PANCHSHEEL BALAK INTER COLLEGE STATION

DRAWING TITLE: SCHEMATIC DIAGRAM FOR DRAINAGE SYSTEM

NORTH	DRAWN BY: HL	CHECKED BY: RK	VERIFIED BY: SJ	APPROVED BY: NG
	DATE: 27-03-2026	REV: RO	SCALE: 1:200	STATUS: TED
ORDER N°	DRAWING NUMBER: NGNE-PBIC-TED-PLB-10004	SHEET NO. 01 OF 01	SHEET SIZE A-1	



Ayesa India Private Limited
D 99, 3rd Floor, Sector 2, Noida -201301, Gautam
Budh Nagar, Uttar Pradesh
Tel.: +(91) 120 490 8800, Email: delhi@ayesa.com

GENERAL NOTES:

- ALL DIMENSIONS ARE IN MILLIMETER UNLESS MENTIONED.
- ALL DIMENSIONS ARE TO BE READ AND NOT MEASURED.
- ANY DISCREPANCY MUST BE BROUGHT TO THE NOTICE OF THE NMRC BEFORE EXECUTION OF WORK AT SITE.
- THIS DRAWING MUST BE READ IN CONJUNCTION WITH ALL RELEVANT ARCHITECTURAL, STRUCTURAL, PLUMBING & FIRE FIGHTING, ELECTRICAL AND TRAFFIC MANAGEMENT DRAWINGS.

REVISION	DESCRIPTION	DRAWING NO.

REV.	DESCRIPTION	DATE	DRAWN BY	CHECKED BY
R0	ISSUED FIRST SUBMISSION OF TENDER DRAWINGS	27-03-2026	HL	RK

APPROVAL OF NMRC OFFICIALS				

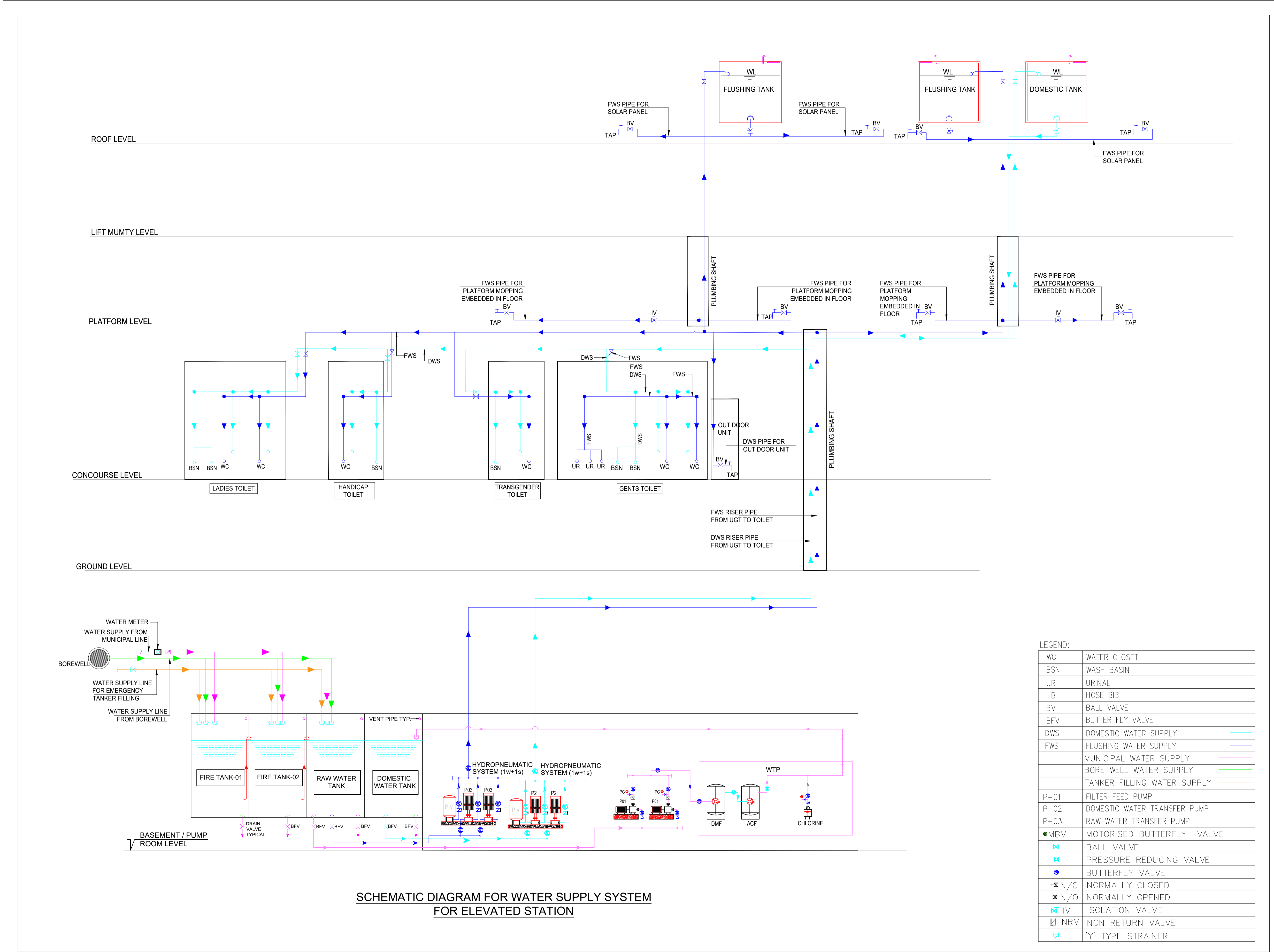
Certified that this document has been designed and checked in accordance with DDC Quality Assurance Plan.

Architecture Design In-charge/ Coordinator: _____
Structure Design In-charge/ Coordinator: _____
E&M Design In-charge/ Coordinator: _____

Authorised Signatory for DDC: NGNEDDC Project Manager

DETAIL DESIGN CONSULTANT : **ayesa**

This drawing must not be either loaned, copied or otherwise reproduced in whole or in part or used for any purpose without the prior written permission of NMRC.



LEGEND: -

WC	WATER CLOSET
BSN	WASH BASIN
UR	URINAL
HB	HOSE BIB
BV	BALL VALVE
BFV	BUTTER FLY VALVE
DWS	DOMESTIC WATER SUPPLY
FWS	FLUSHING WATER SUPPLY
	MUNICIPAL WATER SUPPLY
	BORE WELL WATER SUPPLY
	TANKER FILLING WATER SUPPLY
P-01	FILTER FEED PUMP
P-02	DOMESTIC WATER TRANSFER PUMP
P-03	RAW WATER TRANSFER PUMP
MBV	MOTORIZED BUTTERFLY VALVE
	BALL VALVE
	PRESSURE REDUCING VALVE
	BUTTERFLY VALVE
N/C	NORMALLY CLOSED
N/O	NORMALLY OPENED
IV	ISOLATION VALVE
NRV	NON RETURN VALVE
Y	'Y' TYPE STRAINER

SCHEMATIC DIAGRAM FOR WATER SUPPLY SYSTEM FOR ELEVATED STATION

TENDER DESIGN

NOIDA METRO RAIL CORPORATION LTD.
 Block-III, 3rd Floor, Ganga Shopping Complex, Sector-29, Noida -201301, District Gautam Budh Nagar, Uttar Pradesh, India

PROJECT: CONTRACT NO: NGNECC-01- Part Design & Construction of Elevated Viaduct and 10 nos. of Elevated Stations for Extension Projects of NMR's Aqua Line from Botanical Garden to Noida Sec-142 (from Chainage (-) 383.959 to 12130.143) and from Depot Station to Boraki MMTH (Chainage 28678.253 to 31263.482)

STATION: PANCHSHEEL BALAK INTER COLLEGE STATION

DRAWING TITLE: SCHEMATIC DIAGRAM FOR WATER SUPPLY SYSTEM

NORTH	DRAWN BY: HL	CHECKED BY: RK	VERIFIED BY: SJ	APPROVED BY: NG
	DATE: 27-03-2026	REV: RO	SCALE: 1:200	STATUS: TED
ORDER N°	DRAWING NUMBER: NGNE-PBIC-TED-PLB-10006	SHEET NO. 01 OF 01	SHEET SIZE A-1	

This drawing must not be either loaned, copied or otherwise reproduced in whole or in part or used for any purpose without the prior written permission of NMR.

Certified that this document has been designed and checked in accordance with DDC Quality Assurance Plan.

Authorised Signatory for DDC: NGNEDDC Project Manager

Architecture Design In-charge/ Coordinator Structure Design In-charge/ Coordinator E&M Design In-charge/ Coordinator

ayesa

Ayesa India Private Limited
 D 99, 3rd Floor, Sector 2, Noida -201301, Gautam Budh Nagar, Uttar Pradesh
 Tel.: +(91) 120 490 8800, Email: delhi@ayesa.com

GENERAL NOTES			
1. ALL DIMENSIONS ARE IN MILLIMETER UNLESS MENTIONED.			
2. ALL DIMENSIONS ARE TO BE READ AND NOT MEASURED.			
3. ANY DISCREPANCY MUST BE BROUGHT TO THE NOTICE OF THE DMRC BEFORE EXECUTION OF WORK AT SITE.			
4. THIS DRAWING MUST BE READ IN CONJUNCTION WITH ALL RELEVANT ARCHITECTURAL, STRUCTURAL, PLUMBING & FIRE FIGHTING, ELECTRICAL AND TRAFFIC MANAGEMENT DRAWINGS.			

REVISIONS				
REV.	DESCRIPTION	DATE	DRAWN BY	CHECKED BY
R0	ISSUED FIRST SUBMISSION OF TENDER DRAWINGS	27-03-2026	HL	RK

REFERENCE DRAWINGS		
REVISION	DESCRIPTION	DRAWING NO.

APPROVAL OF NMR OFFICIALS				

THIS DRAWING IS THE PROPERTY OF NMR AND IS NOT TO BE REPRODUCED OR COPIED IN ANY MANNER WITHOUT THE WRITTEN PERMISSION OF NMR.

LIST OF PLUMBING DRAWINGS

S.NO.	DRAWING NO.	DRAWING TITLE	SHEET	REV.
01	NGNE-PBIC-TED-PLB-10001	LIST OF PLUMBING DRAWINGS	1 OF 1	R0
02	NGNE-PBIC-TED-PLB-10002	TYPICAL DETAIL & SECTION -PLUMBING LAYOUT	1 OF 1	R0
03	NGNE-PBIC-TED-PLB-10003	TOILET DETAIL-PLUMBING LAYOUT	1 OF 1	R0
04	NGNE-PBIC-TED-PLB-10004	SCHEMATIC DIAGRAM FOR DRAINAGE SYSTEM	1 OF 1	R0
05	NGNE-PBIC-TED-PLB-10005	SCHEMATIC DIAGRAM FOR SEWAGE SYSTEM	1 OF 1	R0
06	NGNE-PBIC-TED-PLB-10006	SCHEMATIC DIAGRAM FOR WATER SUPPLY SYSTEM	1 OF 1	R0
07	NGNE-PBIC-TED-PLB-11001	GROUND FLOOR PLAN - DRAINAGE & WATER SUPPLY LAYOUT	1 OF 1	R0
08	NGNE-PBIC-TED-PLB-12001	PUMP ROOM - PLUMBING LAYOUT	1 OF 1	R0
09	NGNE-PBIC-TED-PLB-13001	CONCOURSE LEVEL PLAN -DRAINAGE LAYOUT	1 OF 1	R0
10	NGNE-PBIC-TED-PLB-13002	CONCOURSE LEVEL PLAN -WATER SUPPLY LAYOUT	1 OF 1	R0
11	NGNE-PBIC-TED-PLB-14001	PLATFORM LEVEL PLAN-DRAINAGE LAYOUT	1 OF 1	R0
12	NGNE-PBIC-TED-PLB-14002	PLATFORM LEVEL PLAN-WATER SUPPLY LAYOUT	1 OF 1	R0
13	NGNE-PBIC-TED-PLB-15001	ROOF LEVEL PLAN-DRAINAGE LAYOUT	1 OF 1	R0

TENDER DESIGN

NOIDA METRO RAIL CORPORATION LTD.
 Block-III, 3rd Floor, Ganga Shopping Complex, Sector-29, Noida -201301,
 District Gautam Budh Nagar, Uttar Pradesh, India

PROJECT: CONTRACT NO: NGNECC-01- Part Design & Construction of Elevated Viaduct and 10 nos. of Elevated Stations for Extension Projects of NMRC's Aqua Line from Botanical Garden to Noida Sec-142 (from Chairage (-) 383.959 to 12130.143) and from Depot Station to Boraki MMTH (Chainage 28678.253 to 31263.482)

STATION: PANCHSHEEL BALAK INTER COLLEGE STATION

DRAWING TITLE: LIST OF PLUMBING DRAWINGS

NORTH	DRAWN BY: HL	CHECKED BY: RK	VERIFIED BY: SJ	APPROVED BY: NG
	DATE: 27-03-2026	REV: RO	SCALE: 1:200	STATUS: TED
ORDER N°	DRAWING NUMBER: NGNE-PBIC-TED-PLB-10001	SHEET NO. 01 OF 01	SHEET SIZE A-1	

NGNECC
PLUMBING

Certified that this document has been designed and checked in accordance with DDC Quality Assurance Plan.

Architecture Design In-charge/ Coordinator
 Structure Design In-charge/ Coordinator
 E&M Design In-charge/ Coordinator

Authorised Signatory for DDC.
 NGNECC Project Manager

DETAIL DESIGN CONSULTANT :

ayesa

Ayesa India Private Limited
 D 99, 3rd Floor, Sector 2, Noida -201301, Gautam Budh Nagar, Uttar Pradesh
 Tel.: +(91) 120 490 8800, Email: delhi@ayesa.com

APPROVAL OF NMRC OFFICIALS

REV.	DESCRIPTION	DATE	DRAWN BY	CHECKED BY
R0	ISSUED FIRST SUBMISSION OF TENDER DRAWINGS	27-03-2026	HL	RK

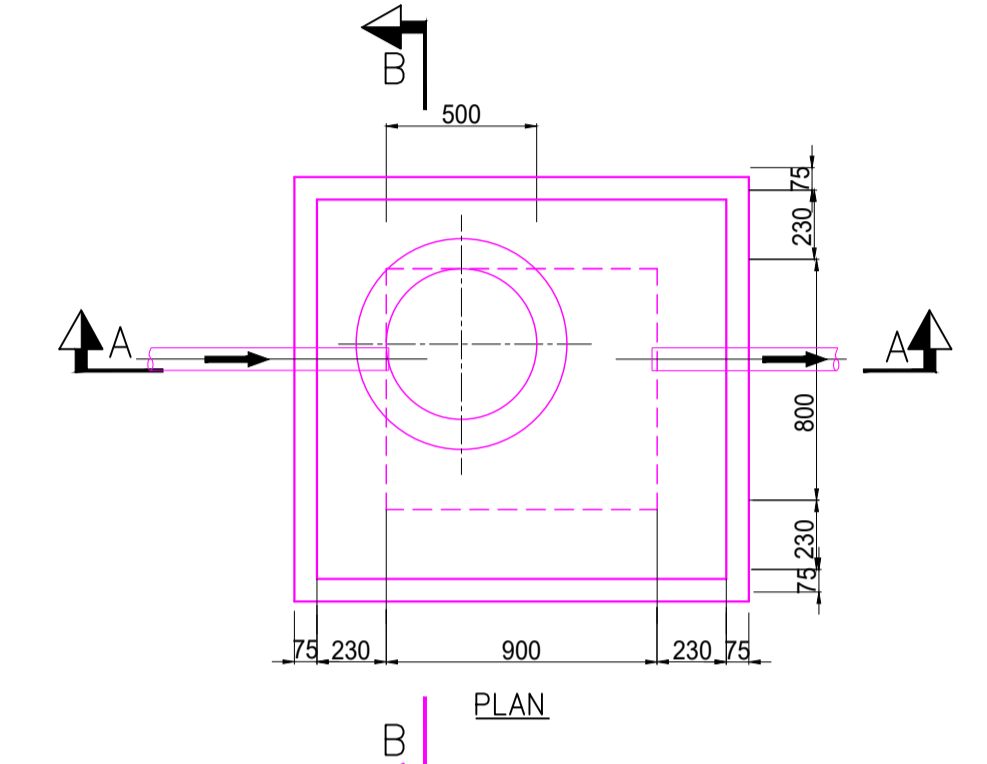
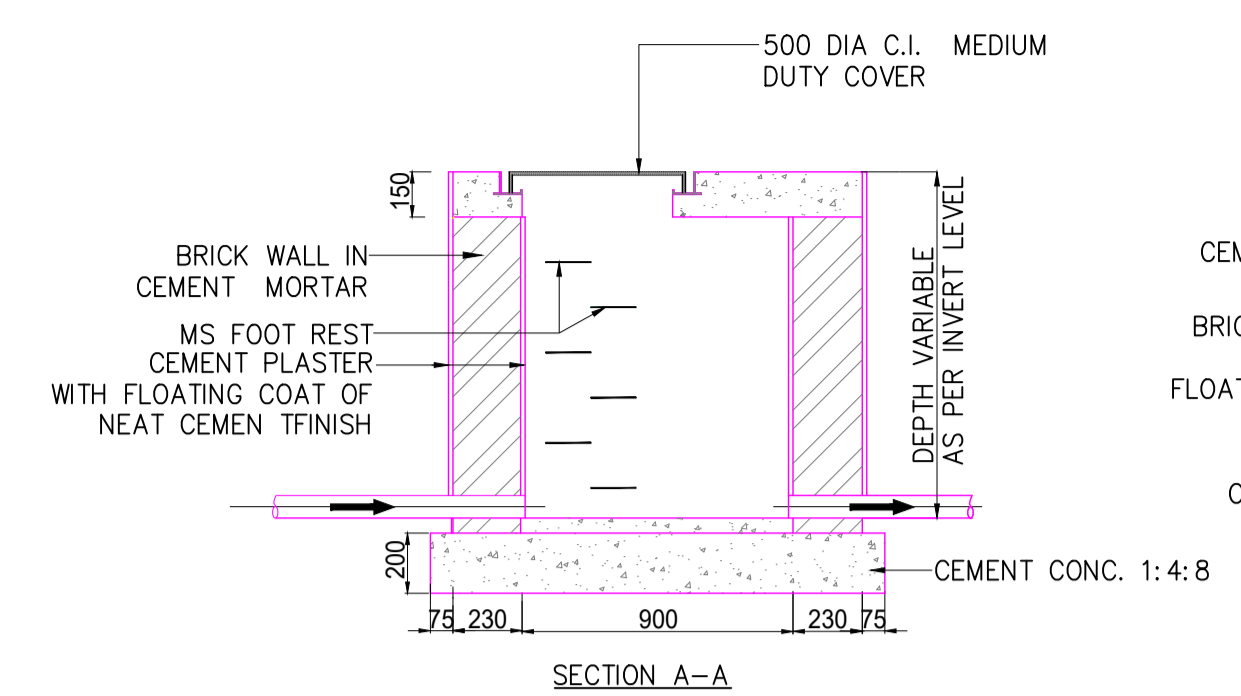
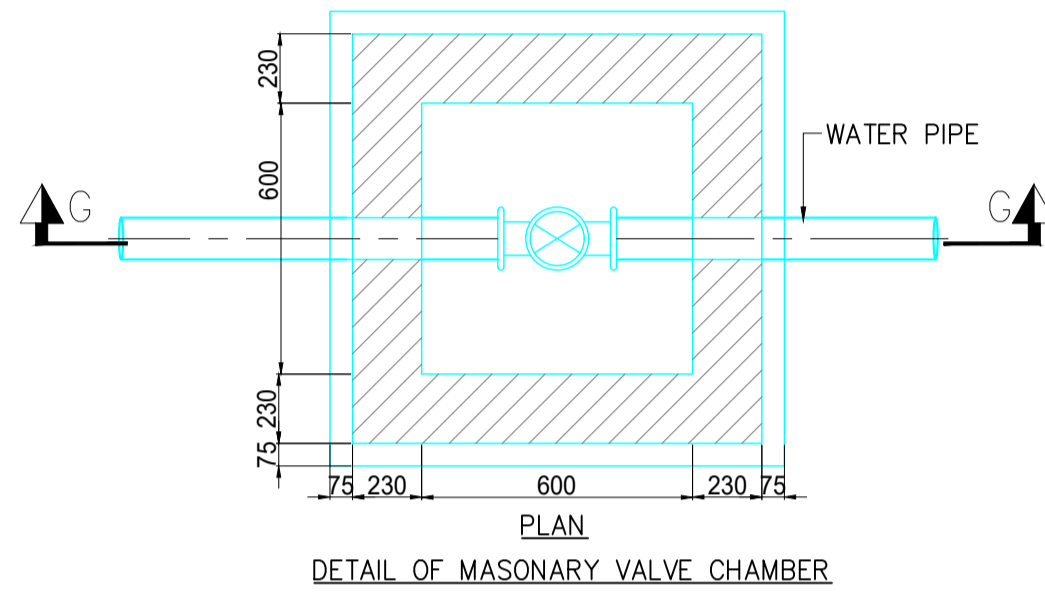
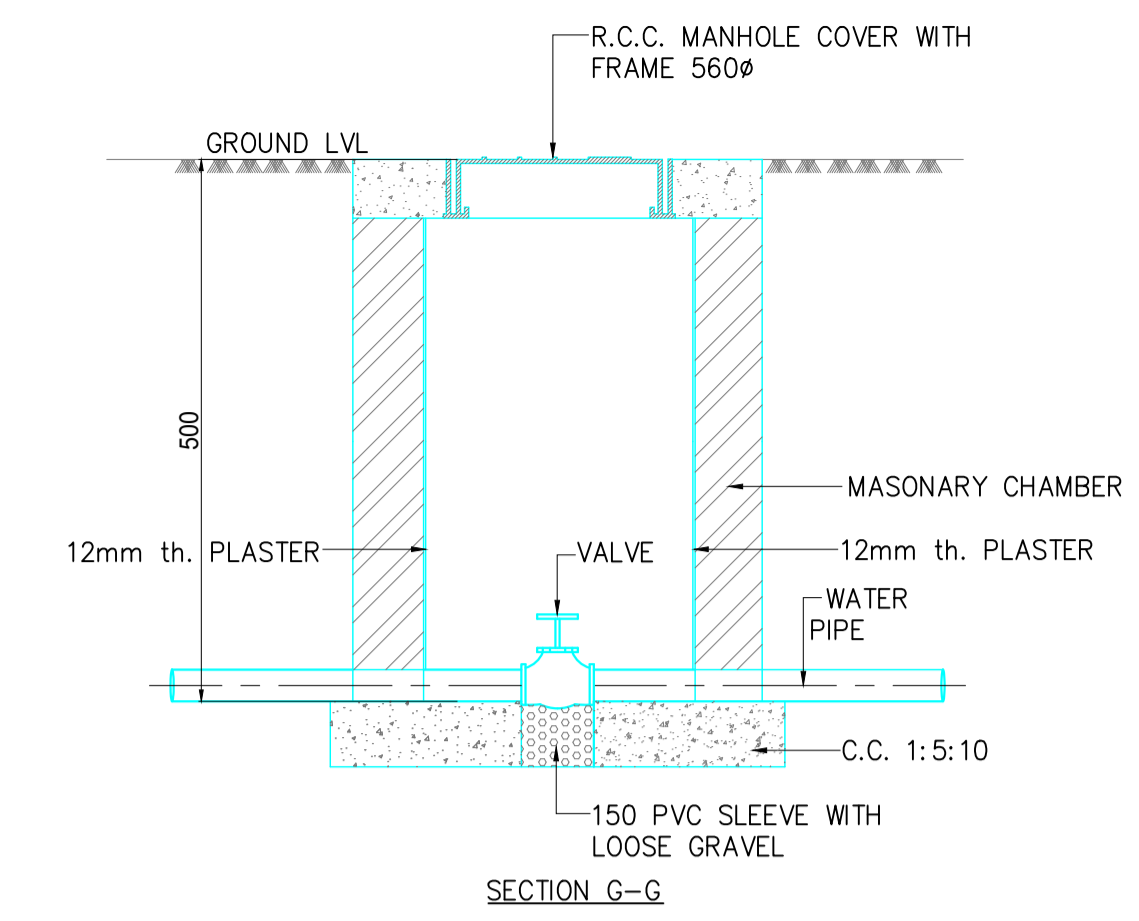
GENERAL NOTES:
 1. ALL DIMENSIONS ARE IN MILLIMETER UNLESS MENTIONED.
 2. ALL DIMENSIONS ARE TO BE READ AND NOT MEASURED.
 3. ANY DISCREPANCY MUST BE BROUGHT TO THE NOTICE OF THE DMRC BEFORE EXECUTION OF WORK AT SITE.
 4. THIS DRAWING MUST BE READ IN CONJUNCTION WITH ALL RELEVANT ARCHITECTURAL, STRUCTURAL, PLUMBING & FIRE FIGHTING, ELECTRICAL AND TRAFFIC MANAGEMENT DRAWINGS.

REFERENCE DRAWINGS

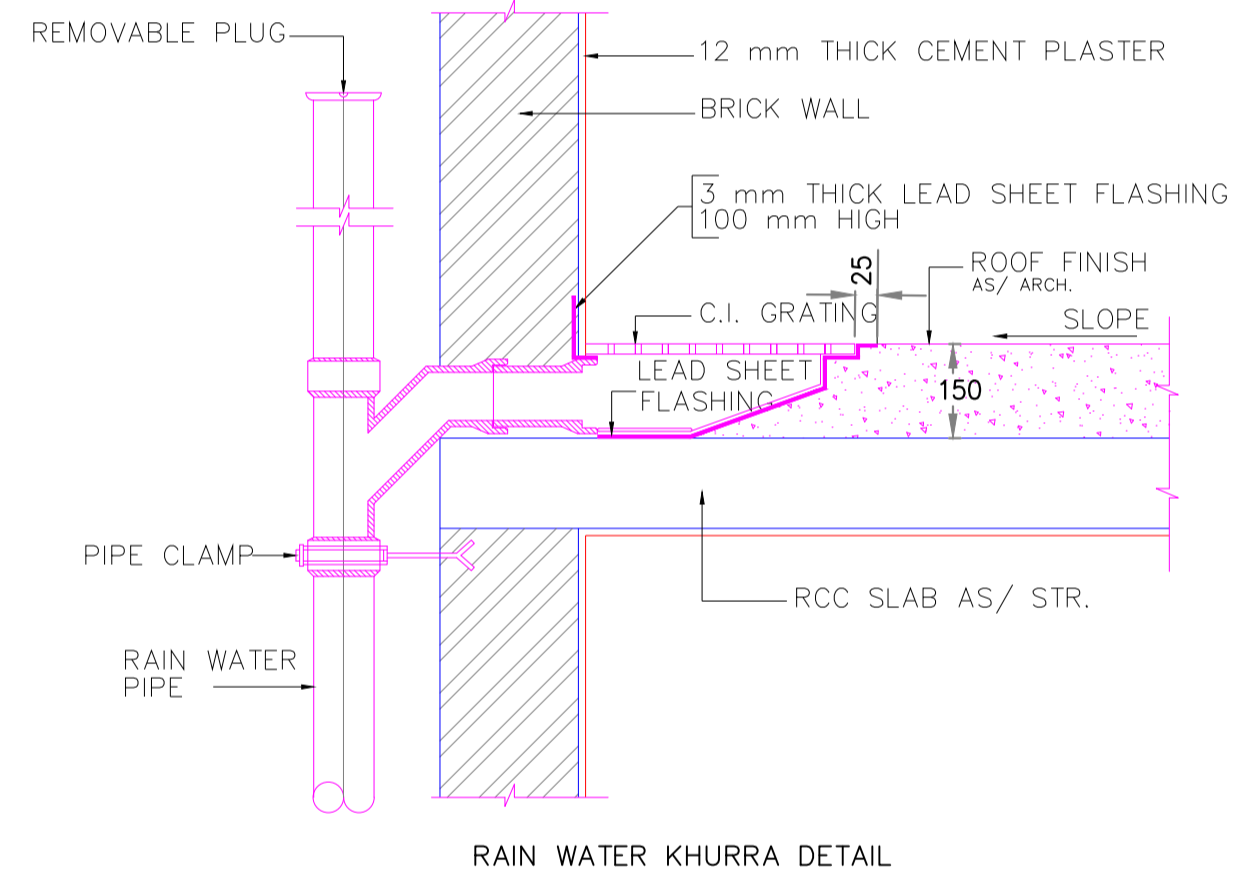
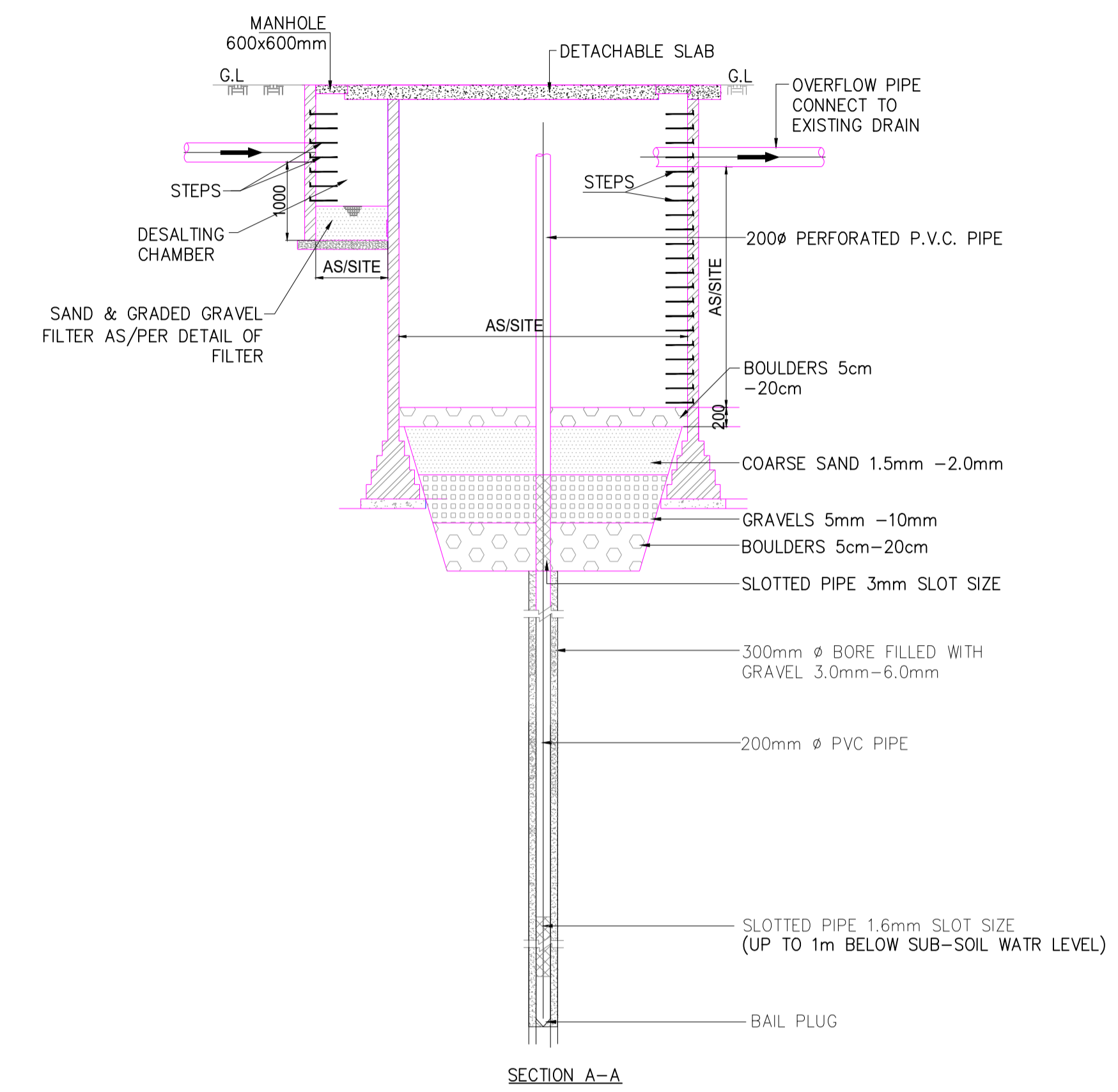
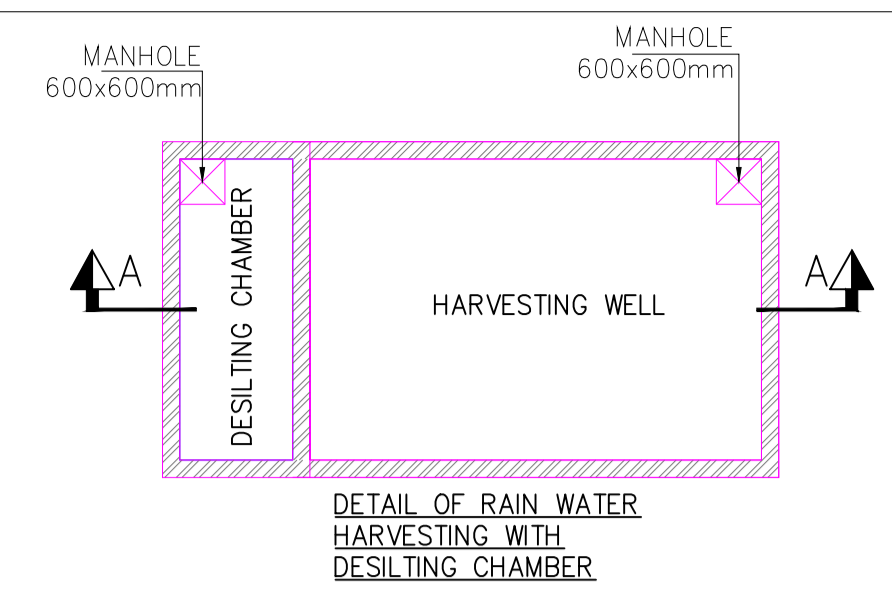
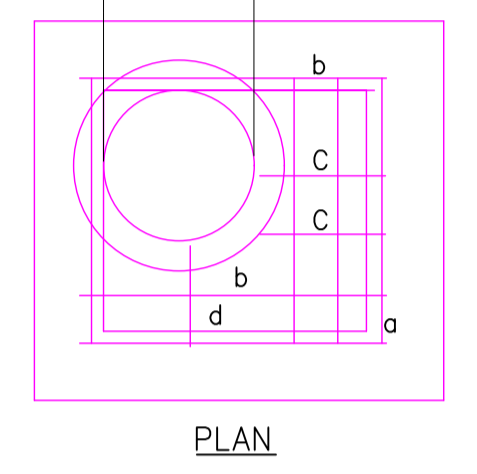
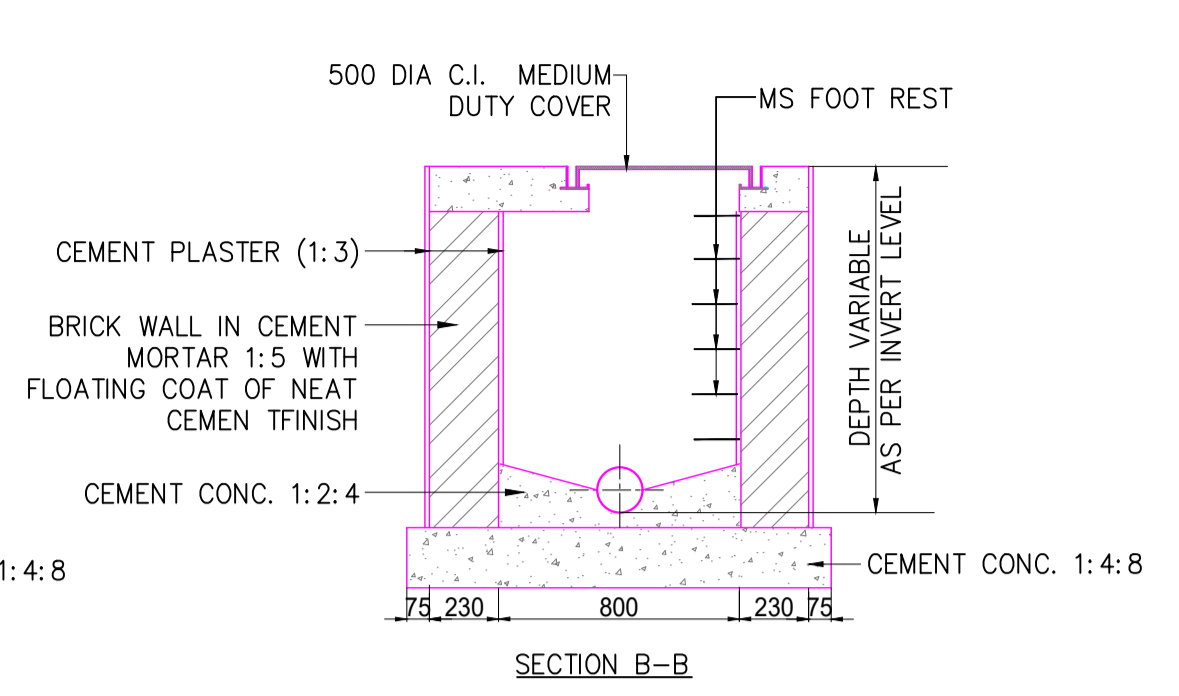
REVISION	DESCRIPTION	DRAWING NO.

THIS DRAWING IS THE PROPERTY OF NOIDA METRO RAIL CORPORATION LTD.

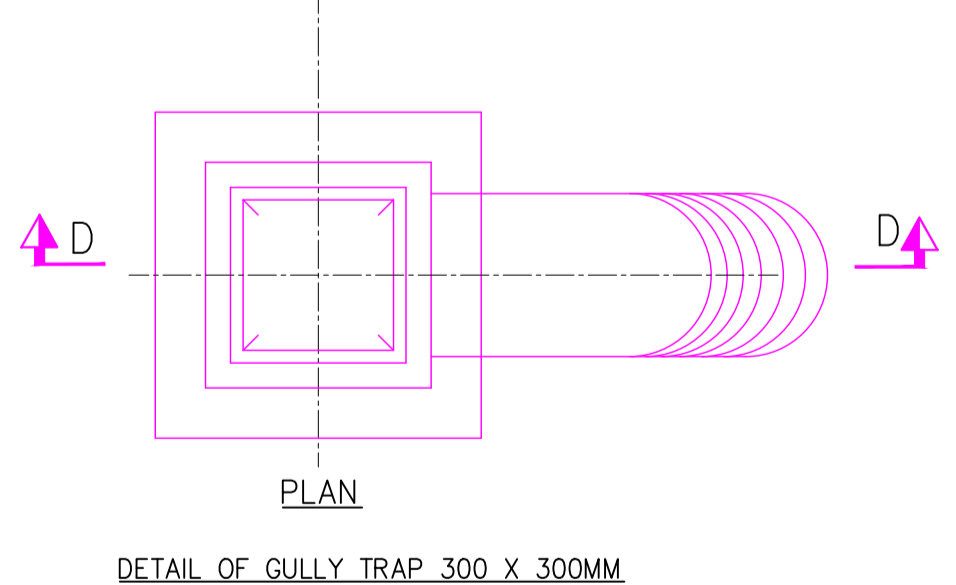
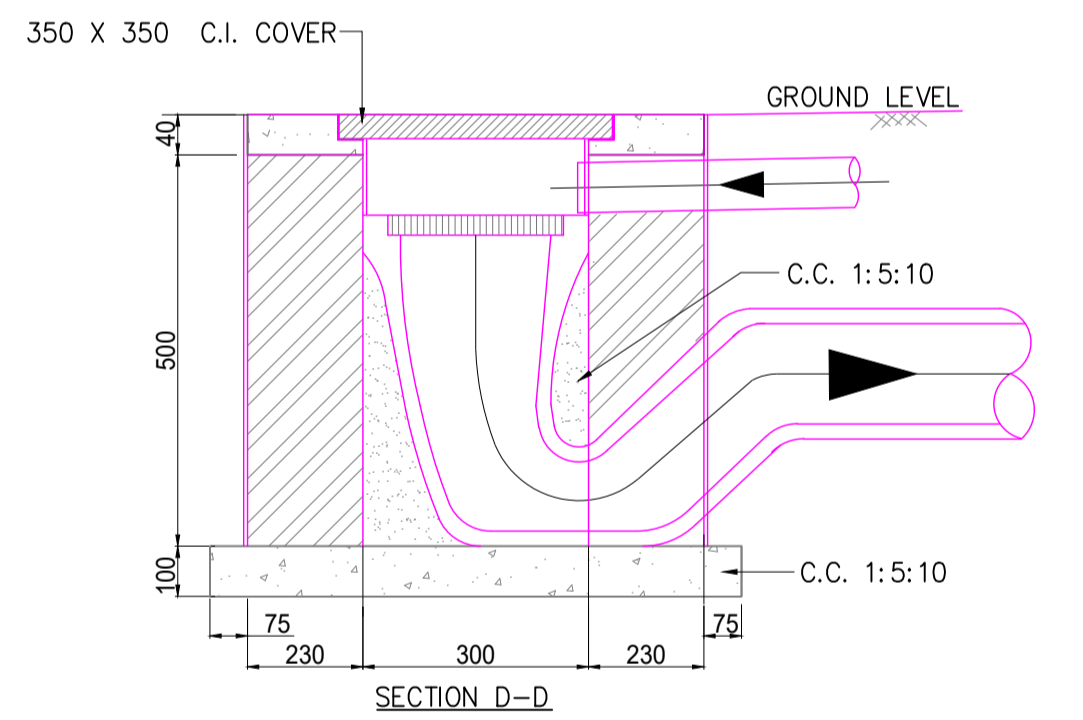
This drawing must not be either loaned, copied or otherwise reproduced in whole or in part or used for any purpose without the prior written permission of NMRC.



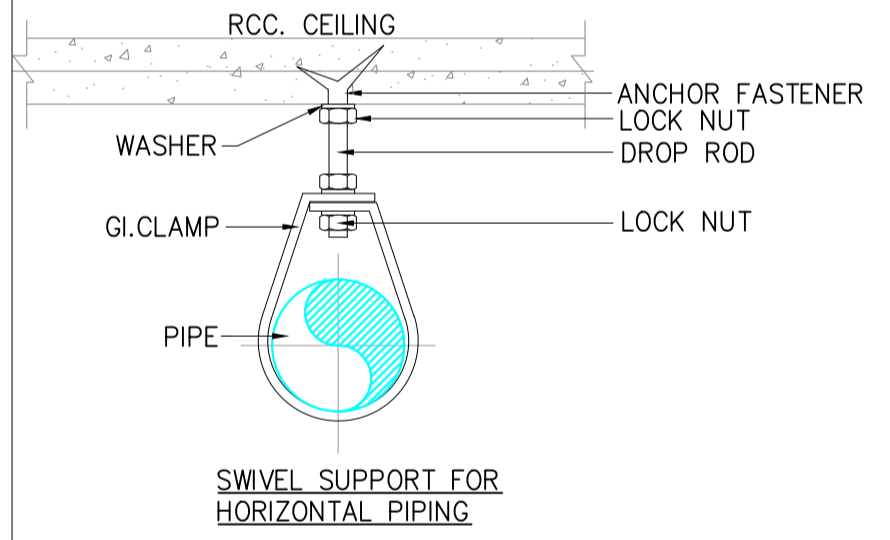
DETAIL OF RECTANGULAR MANHOLE 900 X 800MM



- NOTES**
- ALL DIMENSIONS ARE IN MM. UNLESS OTHERWISE SPECIFIED
 - PROPER CEMENT CONCRETE CHANNEL AND TRENCHING ARE TO BE PROVIDED RELEVANT SMOOTH WITH FLOATING COAT OF NEAT CEMENT FINISH.
 - TOP OF MANHOLES, CATCH BASINS ARE TO BE PLACED IN CONJUNCTION WITH ADJACENT FINISHED LEVEL AS APPLICABLE.

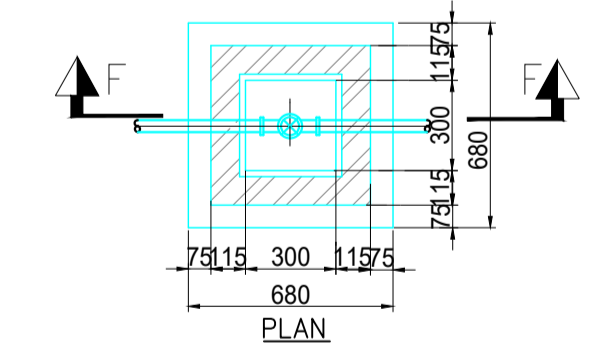
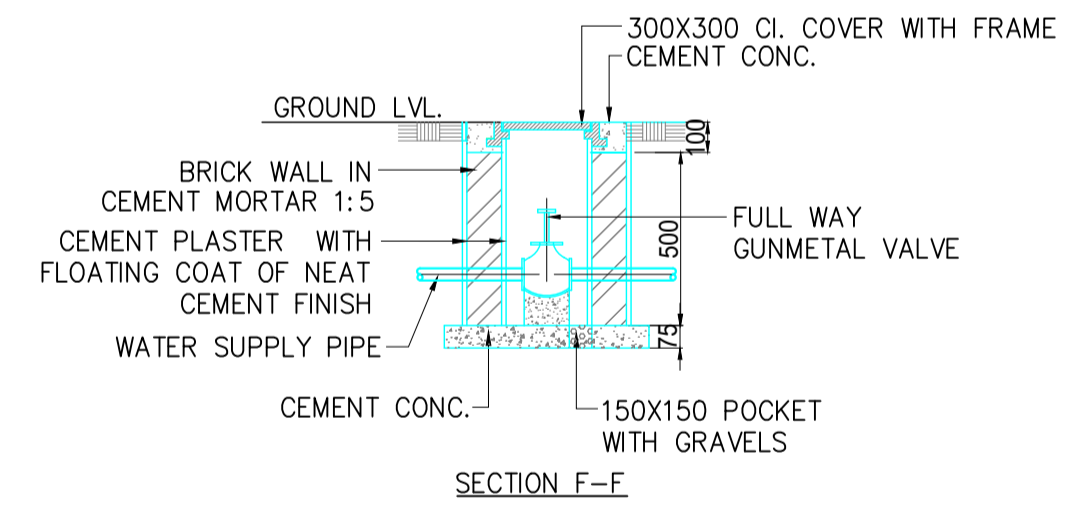
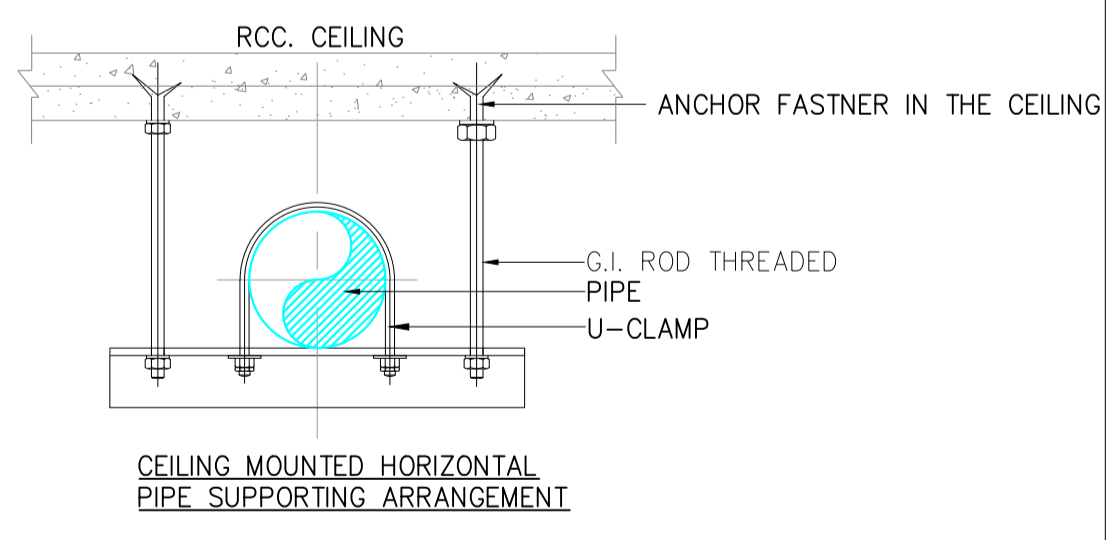
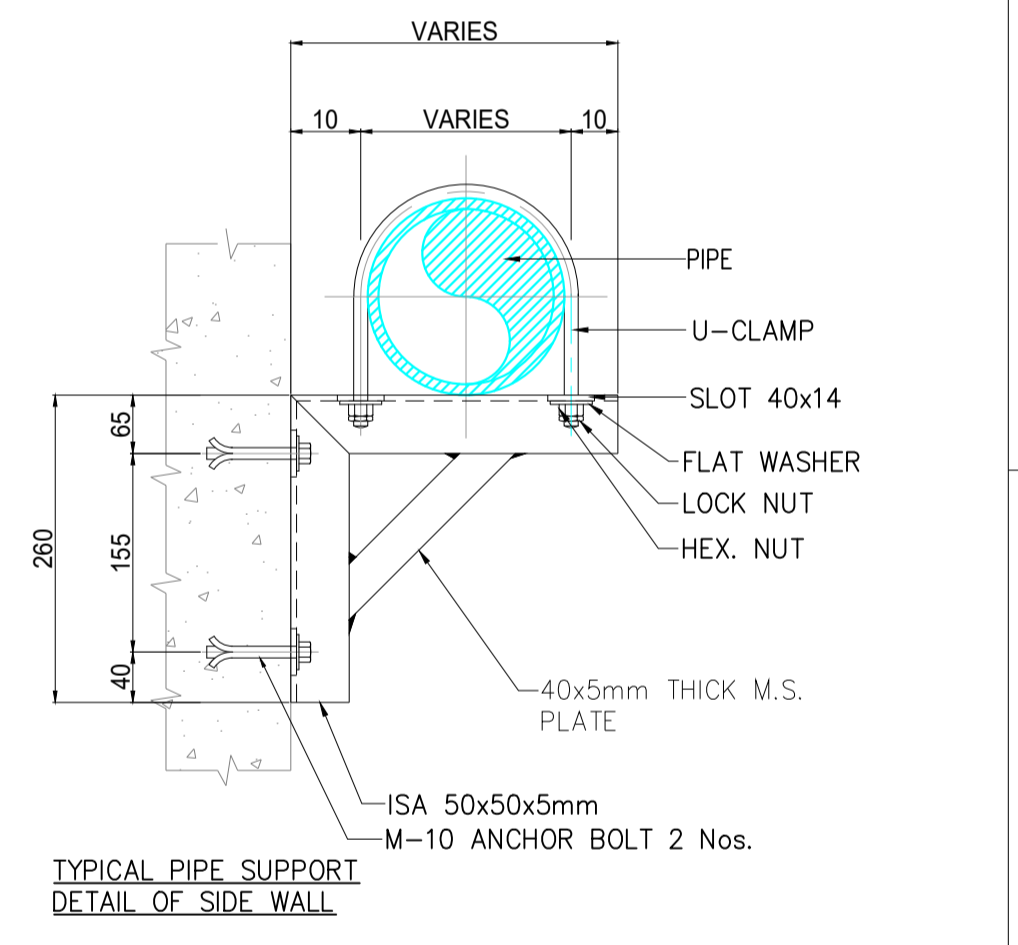


DETAIL OF GULLY TRAP 300 X 300MM



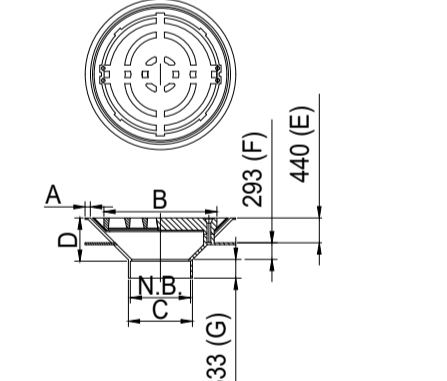
SPACING FOR PIPE SUPPORT ARE AS FOLLOW:-

PIPE SIZE (DN)	SUPPORT DISTANCE	
	HORIZONTAL (m)	VERTICAL (m)
15	1.8	2.4
20-32	2.4	3.0
40-50	2.4	3.7
65-100	3.0	4.6



TYPICAL DETAIL OF FULL WAY VALVE CHAMBER (UP TO 50MM DIA PIPE)

NEER THRUFLOR FLAT GRATE DIMENSIONAL DATA



N.B	A	B	C	D	E	F	G
80	200	150	85	80	33	22	25

TYPICAL DETAIL OF FLOOR DRAIN

GENERAL NOTES

- ALL DIMENSIONS ARE IN MILLIMETER UNLESS MENTIONED.
- ALL DIMENSIONS ARE TO BE READ AND NOT MEASURED.
- ANY DISCREPANCY MUST BE BROUGHT TO THE NOTICE OF THE DMRC BEFORE EXECUTION OF WORK AT SITE.
- THIS DRAWING MUST BE READ IN CONJUNCTION WITH ALL RELEVANT ARCHITECTURAL, STRUCTURAL, PLUMBING & FIRE FIGHTING, ELECTRICAL AND TRAFFIC MANAGEMENT DRAWINGS.

REV.	DESCRIPTION	DATE	DRAWN BY	CHECKED BY
R0	ISSUED FIRST SUBMISSION OF TENDER DRAWINGS	27-03-2026	HL	RK

APPROVAL OF NMRC OFFICIALS

--	--	--	--	--	--	--	--

Certified that this document has been designed and checked in accordance with DDC Quality Assurance Plan.

Architecture Design In-charge/ Coordinator
Structure Design In-charge/ Coordinator
E&M Design In-charge/ Coordinator

Authorised Signatory for DDC.
NGNEDDC Project Manager

DETAIL DESIGN CONSULTANT :

ayesa
Ayesa India Private Limited
D 99, 3rd Floor, Sector 2, Noida -201301, Gautam
Budh Nagar, Uttar Pradesh
Tel.: +(91) 120 490 8800, Email: delhi@ayesa.com

TENDER DESIGN

NOIDA METRO RAIL CORPORATION LTD.
Block-III, 3rd Floor, Ganga Shopping Complex, Sector-29, Noida -201301, District Gautam Budh Nagar, Uttar Pradesh, India

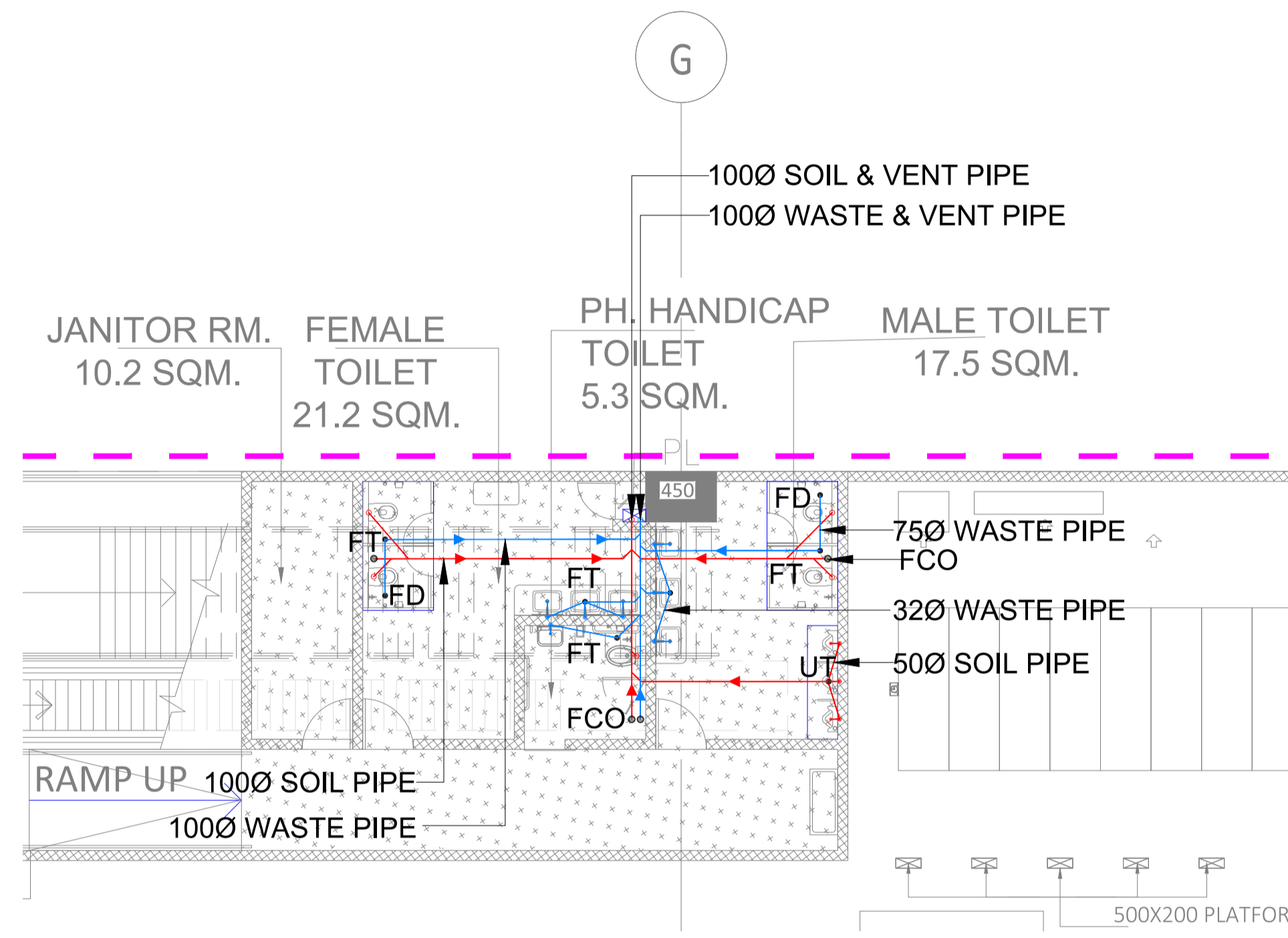
PROJECT: CONTRACT NO: NGNECC-01- Part Design & Construction of Elevated Viaduct and 10 nos. of Elevated Stations for Extension Projects of NMR's Aqua Line from Botanical Garden to Noida Sec-142 (from Chainage (-) 383.959 to 12130.143) and from Depot Station to Boraki MMTH (Chainage 28678.253 to 31263.482)

STATION: PANCHSHEEL BALAK INTER COLLEGE STATION

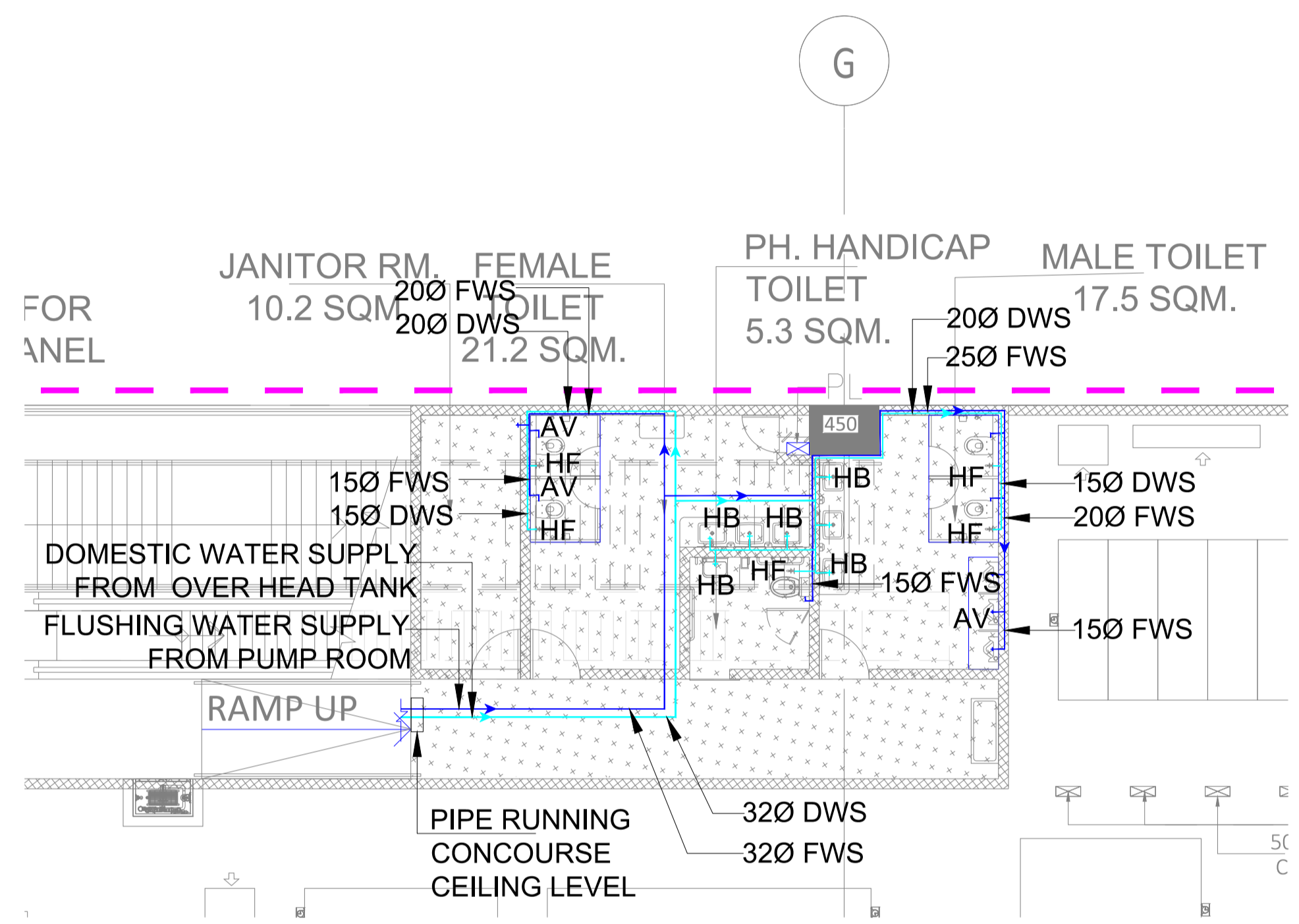
DRAWING TITLE: TYPICAL DETAIL & SECTION - PLUMBING LAYOUT

NORTH	DRAWN BY: HL	CHECKED BY: RK	VERIFIED BY: SJ	APPROVED BY: NG
	DATE: 27-03-2026	REV: R0	SCALE: 1:200	STATUS: TED
ORDER N°	DRAWING NUMBER: NGNE-PBIC-TED-PLB-10002	SHEET NO: 01 OF 01	SHEET SIZE: A-1	NGNEDDC PLUMBING

This drawing must not be either loaned, copied or otherwise reproduced in whole or in part or used for any purpose without the prior written permission of NMRC.



DRAINAGE LAYOUT



WATER SUPPLY LAYOUT

LEGEND:-

1	WASTE PIPE	
2	SOIL PIPE	
3	FLOOR TRAP	
4	FLOOR DRAIN	
5	URINAL TRAP	
6	FLOOR CLEAN OUT	
7	DOMESTIC WATER SUPPLY PIPE	
8	FLUSHING WATER SUPPLY PIPE	
9	DOMESTIC WATER SUPPLY	
10	FLUSHING WATER SUPPLY	
11	ANGLE VALVE	
12	HOSE BIB	
13	URINAL TRAP	
14	SOIL PIPE	

TENDER DESIGN

NOIDA METRO RAIL CORPORATION LTD.
 Block-III, 3rd Floor, Ganga Shopping Complex, Sector-29, Noida -201301,
 District Gautam Budh Nagar, Uttar Pradesh, India

PROJECT: CONTRACT NO: NGNECC-01- Part Design & Construction of Elevated Viaduct and 10 nos. of Elevated Stations for Extension Projects of NMRC's Aqua Line from Botanical Garden to Noida Sec-142 (from Chainage (-) 383.959 to 12130.143) and from Depot Station to Boraki MMTH (Chainage 28678.253 to 31263.482)

STATION: PANCHSHEEL BALAK INTER COLLEGE STATION

DRAWING TITLE: TOILET DETAIL -PLUMBING LAYOUT

ORDER N°	DRAWING NUMBER: NGNE-PBIC-TED-PLB-10003	SHEET NO. 01 OF 01	SHEET SIZE A-1
----------	-----------------------------------------	--------------------	----------------

Drawn by: HL, Checked by: RK, Verified by: SJ, Approved by: NG
 Date: 27-03-2026, Rev: RO, Scale: 1:200, Status: TED
 Drawing Number: NGNE-PBIC-TED-PLB-10003, Sheet No: 01 OF 01, Sheet Size: A-1

GENERAL NOTES:

- ALL DIMENSIONS ARE IN MILLIMETER UNLESS MENTIONED.
- ALL DIMENSIONS ARE TO BE READ AND NOT MEASURED.
- ANY DISCREPANCY MUST BE BROUGHT TO THE NOTICE OF THE DMRC BEFORE EXECUTION OF WORK AT SITE.
- THIS DRAWING MUST BE READ IN CONJUNCTION WITH ALL RELEVANT ARCHITECTURAL, STRUCTURAL, PLUMBING & FIRE FIGHTING, ELECTRICAL AND TRAFFIC MANAGEMENT DRAWINGS.

REVISION	DESCRIPTION	DRAWING NO.

REV.	DESCRIPTION	DATE	DRAWN BY	CHECKED BY
R0	ISSUED FIRST SUBMISSION OF TENDER DRAWINGS	27-03-2026	HL	RK

APPROVAL OF NMRC OFFICIALS	

Certified that this document has been designed and checked in accordance with DDC Quality Assurance Plan.

Architecture Design In-charge/ Coordinator: _____
 Structure Design In-charge/ Coordinator: _____
 E&M Design In-charge/ Coordinator: _____

Authorised Signatory for DDC, NGNEDDC Project Manager: _____

DETAIL DESIGN CONSULTANT :

ayesa
 Ayesa India Private Limited
 D 99, 3rd Floor, Sector 2, Noida -201301, Gautam Budh Nagar, Uttar Pradesh
 Tel.: +(91) 120 490 8800, Email: delhi@ayesa.com

THIS DRAWING IS THE PROPERTY OF Noida Metro Rail Corporation Ltd.

This drawing must not be either loaned, copied or otherwise reproduced in whole or in part or used for any purpose without the prior written permission of NMRC.

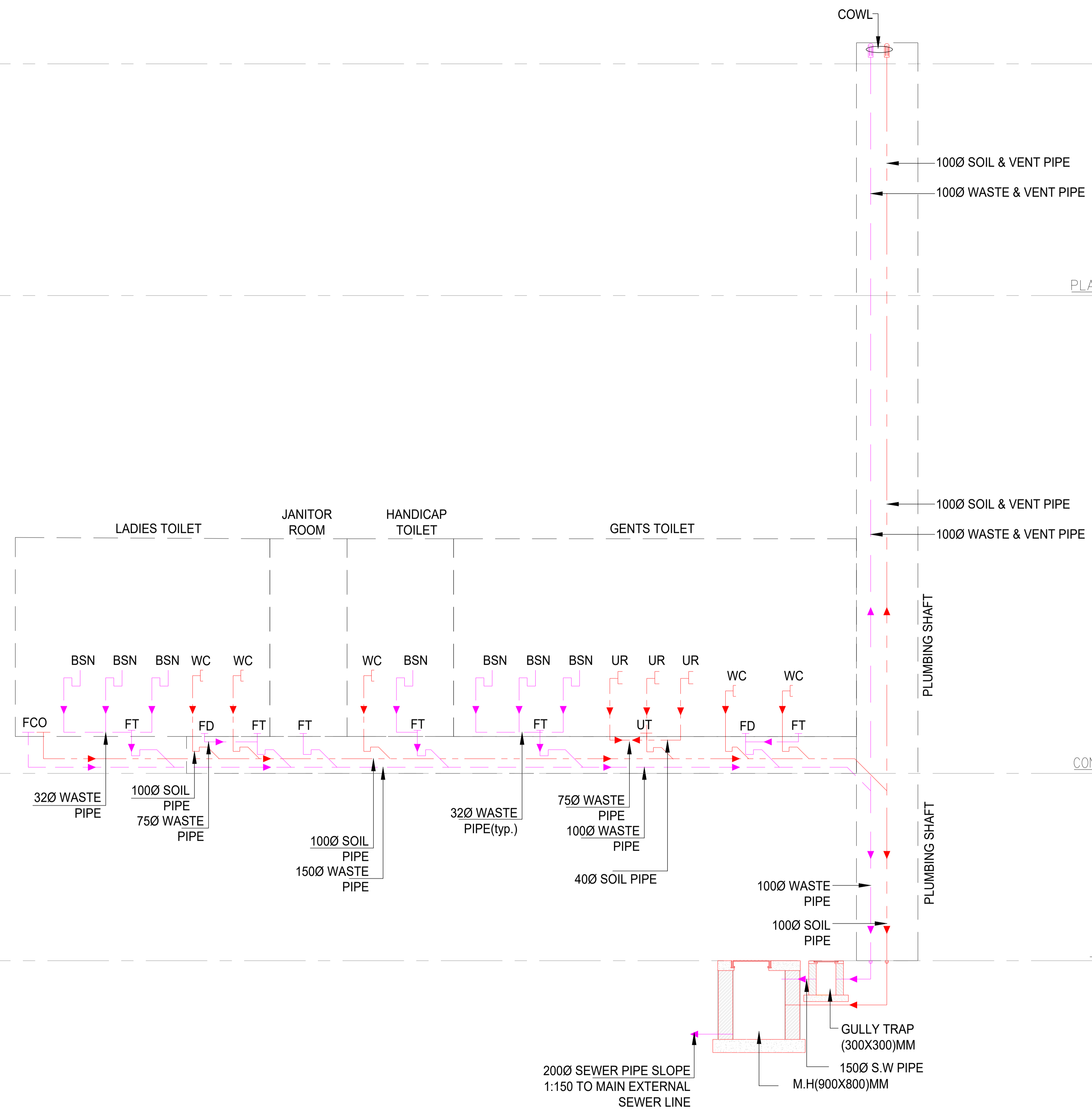
€ OF STATION

ROOF LEVEL

PLATFORM LEVEL

CONCOURSE LEVEL

GROUND LEVEL



LEGEND:-

FT - FLOOR TRAP	
FD - FLOOR DRAIN	
FCO - FLOOR CLEAN OUT	
WC - WATER CLOSED	
BSN - WASH BASIN	
UR - URINAL	
WASTE PIPE	
SOIL PIPE	

SCHEMATIC DIAGRAM FOR SEWAGE SYSTEM

TENDER DESIGN

NOIDA METRO RAIL CORPORATION LTD.
 Block-III, 3rd Floor, Ganga Shopping Complex, Sector-29, Noida -201301, District Gautam Budh Nagar, Uttar Pradesh, India

PROJECT: CONTRACT NO: NGNECC-01- Part Design & Construction of Elevated Viaduct and 10 nos. of Elevated Stations for Extension Projects of NMRC's Aqua Line from Botanical Garden to Noida Sec-142 (from Chainage (-) 383.959 to 12130.143) and from Depot Station to Boraki MMTH (Chainage 28678.253 to 31263.482)

STATION: PANCHSHEEL BALAK INTER COLLEGE STATION

DRAWING TITLE: SCHEMATIC DIAGRAM FOR SEWAGE SYSTEM

NORTH	DRAWN BY: HL	CHECKED BY: RK	VERIFIED BY: SJ	APPROVED BY: NG
	DATE: 27-03-2026	REV: R0	SCALE: 1:200	STATUS: TED
ORDER N°	DRAWING NUMBER: NGNE-PBIC-TED-PLB-10005	SHEET NO. 01 OF 01	SHEET SIZE A-1	NGNEDDC PLUMBING

This drawing must not be either loaned, copied or otherwise reproduced in whole or in part or used for any purpose without the prior written permission of NMRC.

Certified that this document has been designed and checked in accordance with DDC Quality Assurance Plan.

Authorised Signatory for DDC, NGNEDDC Project Manager

Architecture Design In-charge/ Coordinator	Structure Design In-charge/ Coordinator	E&M Design In-charge/ Coordinator
--------------------------------------------	-----------------------------------------	-----------------------------------

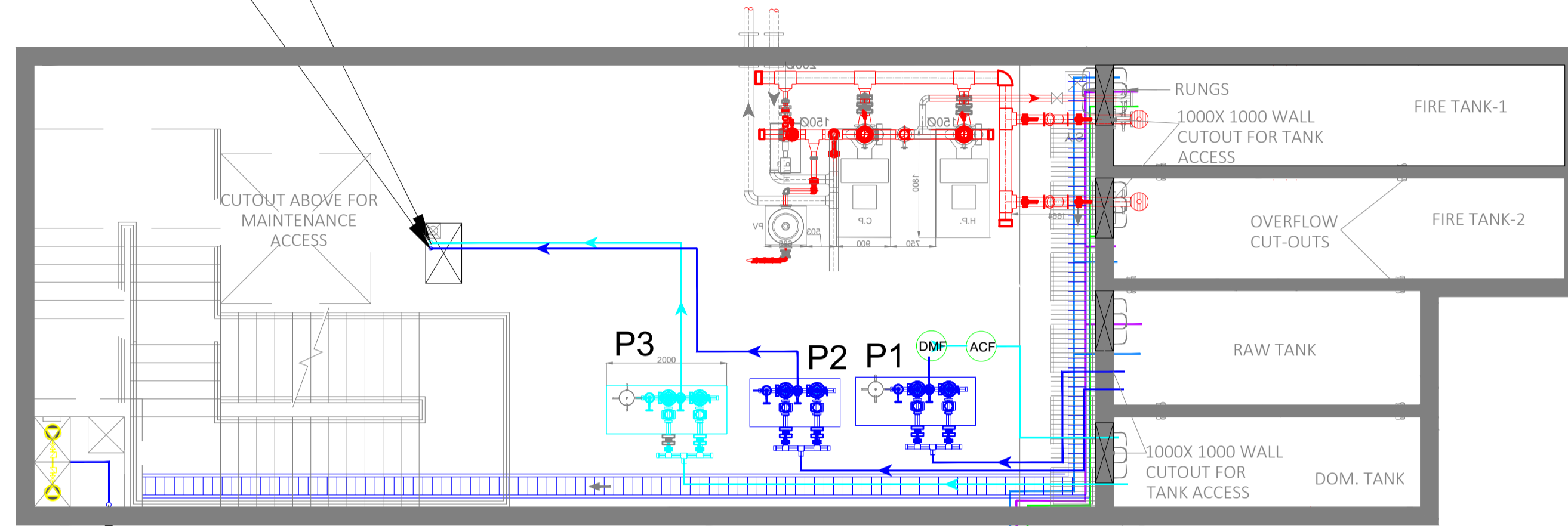
DETAIL DESIGN CONSULTANT :

ayesa

Ayesa India Private Limited
 D 99, 3rd Floor, Sector 2, Noida -201301, Gautam Budh Nagar, Uttar Pradesh
 Tel.: +(91) 120 490 8800, Email: delhi@ayesa.com

GENERAL NOTES				REVISIONS				APPROVAL OF NMRC OFFICIALS																					
1. ALL DIMENSIONS ARE IN MILLIMETER UNLESS MENTIONED. 2. ALL DIMENSIONS ARE TO BE READ AND NOT MEASURED. 3. ANY DISCREPANCY MUST BE BROUGHT TO THE NOTICE OF THE DMRC BEFORE EXECUTION OF WORK AT SITE. 4. THIS DRAWING MUST BE READ IN CONJUNCTION WITH ALL RELEVANT ARCHITECTURAL, STRUCTURAL, PLUMBING & FIRE FIGHTING, ELECTRICAL AND TRAFFIC MANAGEMENT DRAWINGS.				<table border="1"> <thead> <tr> <th>REV.</th> <th>DESCRIPTION</th> <th>DATE</th> <th>DRAWN BY</th> <th>CHECKED BY</th> </tr> </thead> <tbody> <tr> <td>R0</td> <td>ISSUED FIRST SUBMISSION OF TENDER DRAWINGS</td> <td>27-03-2026</td> <td>HL</td> <td>RK</td> </tr> </tbody> </table>				REV.	DESCRIPTION	DATE	DRAWN BY	CHECKED BY	R0	ISSUED FIRST SUBMISSION OF TENDER DRAWINGS	27-03-2026	HL	RK	<table border="1"> <thead> <tr> <th>NO.</th> <th>NAME</th> <th>DESIGNATION</th> <th>DATE</th> </tr> </thead> <tbody> <tr> <td> </td> <td> </td> <td> </td> <td> </td> </tr> </tbody> </table>				NO.	NAME	DESIGNATION	DATE				
REV.	DESCRIPTION	DATE	DRAWN BY	CHECKED BY																									
R0	ISSUED FIRST SUBMISSION OF TENDER DRAWINGS	27-03-2026	HL	RK																									
NO.	NAME	DESIGNATION	DATE																										
<table border="1"> <thead> <tr> <th>REVISION</th> <th>DESCRIPTION</th> <th>DRAWING NO.</th> </tr> </thead> <tbody> <tr> <td> </td> <td> </td> <td> </td> </tr> </tbody> </table>				REVISION	DESCRIPTION	DRAWING NO.				<table border="1"> <thead> <tr> <th>NO.</th> <th>NAME</th> <th>DESIGNATION</th> <th>DATE</th> </tr> </thead> <tbody> <tr> <td> </td> <td> </td> <td> </td> <td> </td> </tr> </tbody> </table>				NO.	NAME	DESIGNATION	DATE												
REVISION	DESCRIPTION	DRAWING NO.																											
NO.	NAME	DESIGNATION	DATE																										

50Ø DOMESTIC WATER SUPPLY PIPE TO CONCOURSE TOILET & O.H. TANK
 50Ø FLUSHING WATER SUPPLY PIPE TO ROOF LEVEL O.H. TANK



80Ø SUMP RISER PIPE TO EXTERNAL CATCH BASIN
 80Ø TANKER SUPPLY
 80Ø MUNICIPAL WATER SUPPLY
 80Ø BORE WELL WATER SUPPLY
WATER TANKS & PUMP ROOM AT BASEMENT LEVEL

LEGEND:

S.NO.	SYMBOL	DESCRIPTION
1		BUTTERFLY VALVE
2		NON RETURN VALVE
3		FLUSHING WATER SUPPLY LINE
4		DOMESTIC WATER SUPPLY LINE
5		DUAL MEDIA FILTER
6		ACTIVATE CARBON FILTER

SIZE OF FOUNDATION OF PUMPS		
ITEM	PUMPS	DRIVE
P1	RAW WATER FILTRATION PUMP	ELECTRIC
P2	RAW WATER TRANSFER PUMP	ELECTRIC
P3	DOMESTIC WATER TRANSFER PUMP	ELECTRIC

TENDER DESIGN

NOIDA METRO RAIL CORPORATION LTD.
 Block-III, 3rd Floor, Ganga Shopping Complex, Sector-29, Noida -201301,
 District Gautam Budh Nagar, Uttar Pradesh, India

PROJECT: CONTRACT NO: NGNECC-01- Part Design & Construction of Elevated Viaduct and 10 nos. of Elevated Stations for Extension Projects of NMRC's Aqua Line from Botanical Garden to Noida Sec-142 (from Chainage (-) 383.959 to 12130.143) and from Depot Station to Boraki MMTH (Chainage 28678.253 to 31263.482)

STATION: PANCHSHEEL BALAK INTER COLLEGE STATION

DRAWING TITLE: PUMP ROOM-PLUMBING LAYOUT

NORTH	DRAWN BY: HL	CHECKED BY: RK	VERIFIED BY: SJ	APPROVED BY: NG
	DATE: 27-03-2026	REV: RO	SCALE: 1:200	STATUS: TED
ORDER N°	DRAWING NUMBER: NGNE-PBIC-TED-PLB-12001	SHEET NO. 01 OF 01	SHEET SIZE A-1	

This drawing must not be either loaned, copied or otherwise reproduced in whole or in part or used for any purpose without the prior written permission of NMRC.

GENERAL NOTES:

- ALL DIMENSIONS ARE IN MILLIMETER UNLESS MENTIONED.
- ALL DIMENSIONS ARE TO BE READ AND NOT MEASURED.
- ANY DISCREPANCY MUST BE BROUGHT TO THE NOTICE OF THE NMRC BEFORE EXECUTION OF WORK AT SITE.
- THIS DRAWING MUST BE READ IN CONJUNCTION WITH ALL RELEVANT ARCHITECTURAL, STRUCTURAL, PLUMBING & FIRE FIGHTING, ELECTRICAL AND TRAFFIC MANAGEMENT DRAWINGS.

REVISION	DESCRIPTION	DRAWING NO.
R0	ISSUED FIRST SUBMISSION OF TENDER DRAWINGS	

REV.	DESCRIPTION	DATE	DRAWN BY	CHECKED BY
R0	ISSUED FIRST SUBMISSION OF TENDER DRAWINGS	27-03-2026	HL	RK

APPROVAL OF NMRC OFFICIALS				

Certified that this document has been designed and checked in accordance with DDC Quality Assurance Plan.

Architecture Design In-charge/ Coordinator: _____
 Structure Design In-charge/ Coordinator: _____
 E&M Design In-charge/ Coordinator: _____

DETAIL DESIGN CONSULTANT :

ayesa
 Ayesa India Private Limited
 D 99, 3rd Floor, Sector 2, Noida -201301, Gautam Budh Nagar, Uttar Pradesh
 Tel.: +(91) 120 490 8800, Email: delhi@ayesa.com

NGNEDDC PROJECT MANAGER

LIST OF PLUMBING DRAWINGS

S.NO.	DRAWING NO.	DRAWING TITLE	SHEET	REV.
01	NGNE-S93-TED-PLB-10001	LIST OF PLUMBING DRAWINGS	1 OF 1	R0
02	NGNE-S93-TED-PLB-10002	TYPICAL DETAIL & SECTION -PLUMBING LAYOUT	1 OF 1	R0
03	NGNE-S93-TED-PLB-10003	TOILET DETAIL-PLUMBING LAYOUT	1 OF 1	R0
04	NGNE-S93-TED-PLB-10004	SCHEMATIC DIAGRAM FOR DRAINAGE SYSTEM	1 OF 1	R0
05	NGNE-S93-TED-PLB-10005	SCHEMATIC DIAGRAM FOR SEWAGE SYSTEM	1 OF 1	R0
06	NGNE-S93-TED-PLB-10006	SCHEMATIC DIAGRAM FOR WATER SUPPLY SYSTEM	1 OF 1	R0
07	NGNE-S93-TED-PLB-11001	GROUND FLOOR PLAN - DRAINAGE & WATER SUPPLY LAYOUT	1 OF 1	R0
08	NGNE-S93-TED-PLB-12001	PUMP ROOM - PLUMBING LAYOUT	1 OF 1	R0
09	NGNE-S93-TED-PLB-13001	CONCOURSE LEVEL PLAN -DRAINAGE LAYOUT	1 OF 1	R0
10	NGNE-S93-TED-PLB-13002	CONCOURSE LEVEL PLAN -WATER SUPPLY LAYOUT	1 OF 1	R0
11	NGNE-S93-TED-PLB-14001	PLATFORM LEVEL PLAN-DRAINAGE LAYOUT	1 OF 1	R0
12	NGNE-S93-TED-PLB-14002	PLATFORM LEVEL PLAN-WATER SUPPLY LAYOUT	1 OF 1	R0
13	NGNE-S93-TED-PLB-15001	ROOF LEVEL PLAN-DRAINAGE LAYOUT	1 OF 1	R0

TENDER DESIGN



NOIDA METRO RAIL CORPORATION LTD.
Block-III, 3rd Floor, Ganga Shopping Complex, Sector-29, Noida -201301,
District Gautam Budh Nagar, Uttar Pradesh, India

PROJECT: CONTRACT NO: NGNECC-01- Part Design & Construction of Elevated Viaduct and 10 nos. of Elevated Stations for Extension Projects of NMRC's Aqua Line from Botanical Garden to Noida Sec-142 (from Chainage (-) 383.959 to 12130.143) and from Depot Station to Boraki MMTH (Chainage 28678.253 to 31263.482)

STATION: NOIDA SECTOR 93 STATION

DRAWING TITLE: LIST OF PLUMBING DRAWINGS

NORTH	DRAWN BY: HL	CHECKED BY: RK	VERIFIED BY: SJ	APPROVED BY: NG
	DATE: 27-03-2026	REV: RO	SCALE: N.T.S.	STATUS: TED
ORDER N°	DRAWING NUMBER: NGNE-S93-TED-PLB-10001	SHEET NO. 01 OF 01	SHEET SIZE A-1	

This drawing must not be either loaned, copied or otherwise reproduced in whole or in part or used for any purpose without the prior written permission of NMRC.

THIS DRAWING IS THE PROPERTY OF NOIDA METRO RAIL CORPORATION LTD.

GENERAL NOTES:
1. ALL DIMENSIONS ARE IN MILLIMETER UNLESS MENTIONED.
2. ALL DIMENSIONS ARE TO BE READ AND NOT MEASURED.
3. ANY DISCREPANCY MUST BE BROUGHT TO THE NOTICE OF THE DMRC BEFORE EXECUTION OF WORK AT SITE.
4. THIS DRAWING MUST BE READ IN CONJUNCTION WITH ALL RELEVANT ARCHITECTURAL, STRUCTURAL, PLUMBING & FIRE FIGHTING, ELECTRICAL AND TRAFFIC MANAGEMENT DRAWINGS.

REVISIONS

REV.	DESCRIPTION	DATE	DRAWN BY	CHECKED BY
R0	ISSUED FIRST SUBMISSION OF TENDER DRAWINGS	27-03-2026	HL	RK

APPROVAL OF NMRC OFFICIALS

--	--	--	--	--	--	--	--	--	--

Certified that this document has been designed and checked in accordance with DDC Quality Assurance Plan.

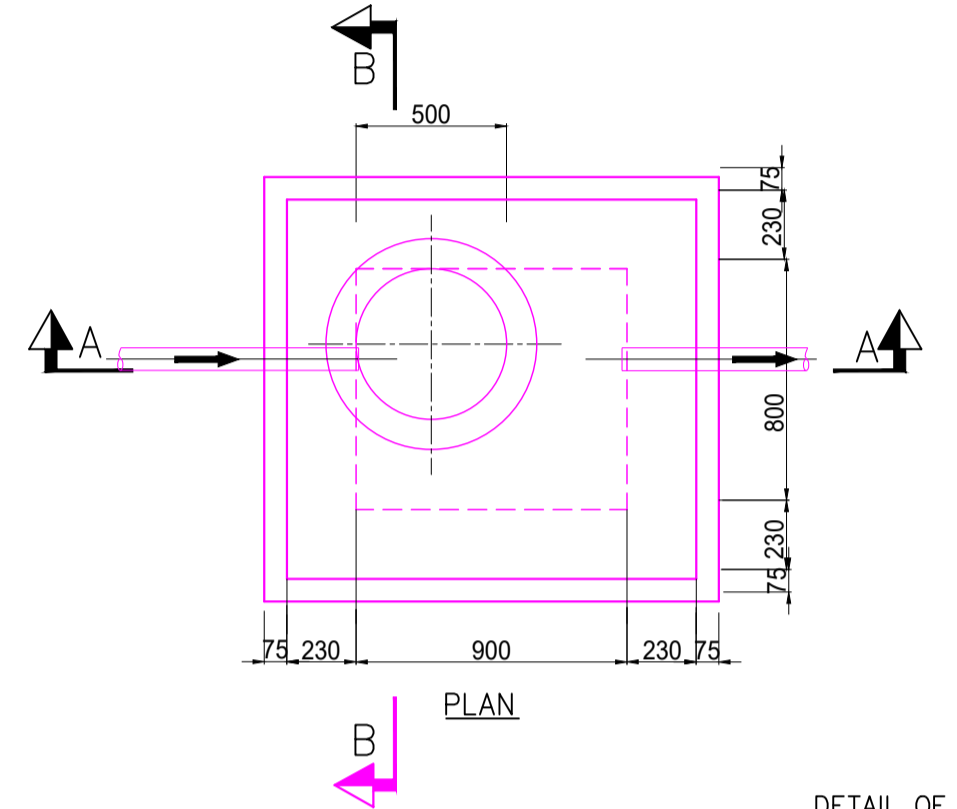
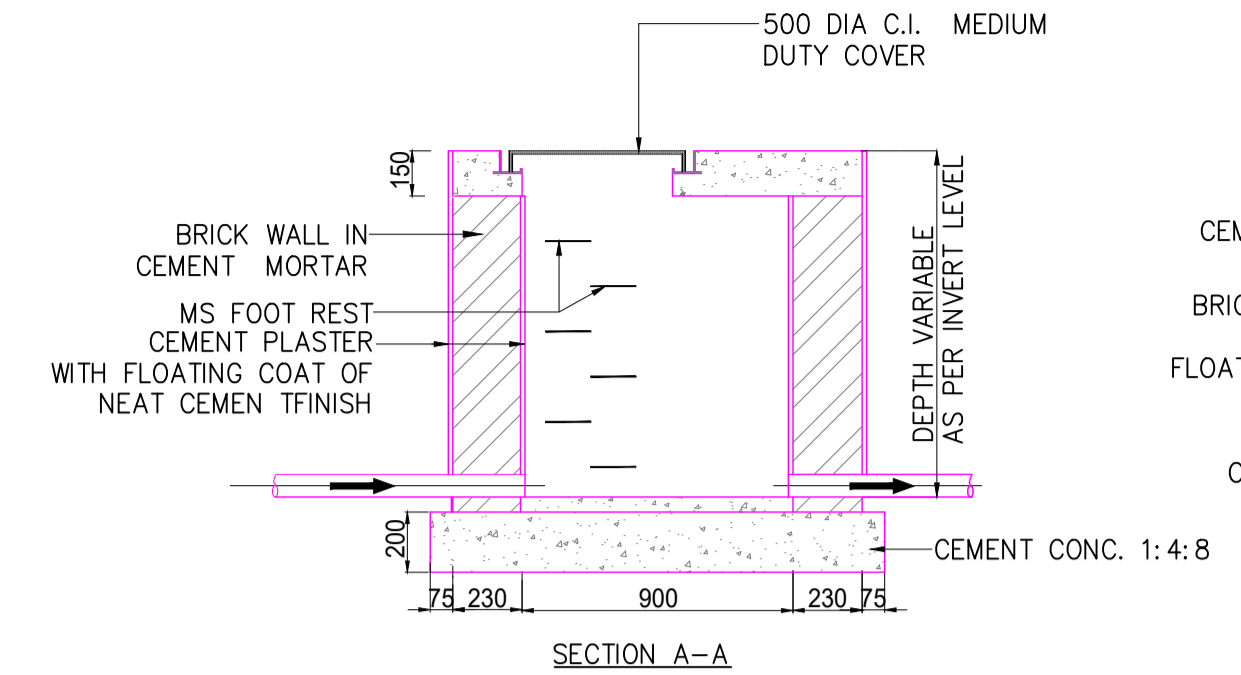
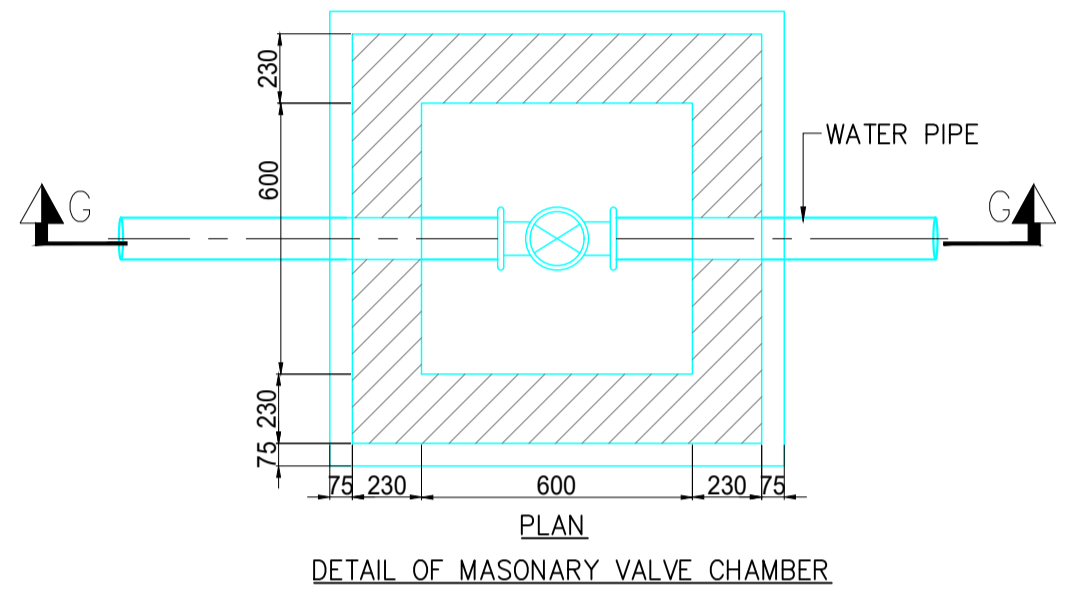
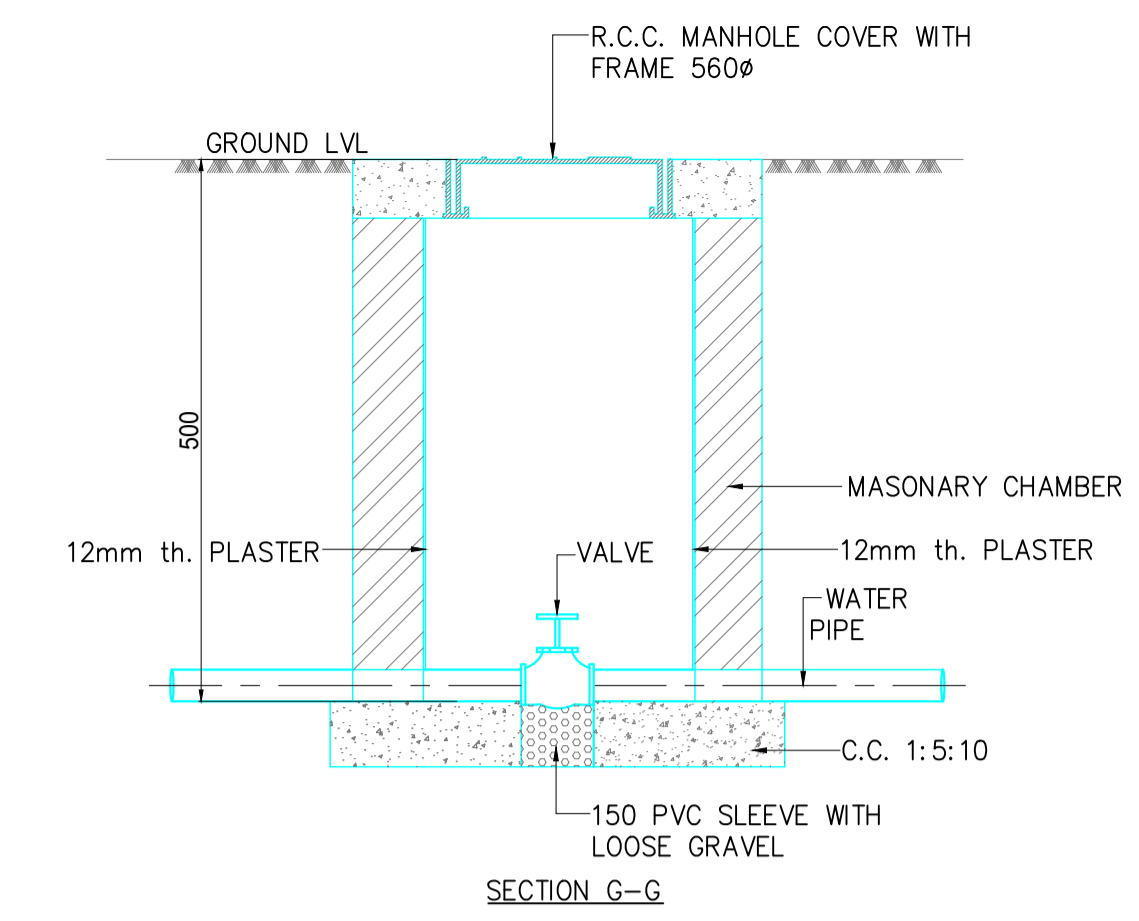
Authorised Signatory for DDC.
NGNEDDC Project Manager

Architecture Design In-charge/ Coordinator
Structure Design In-charge/ Coordinator
E&M Design In-charge/ Coordinator

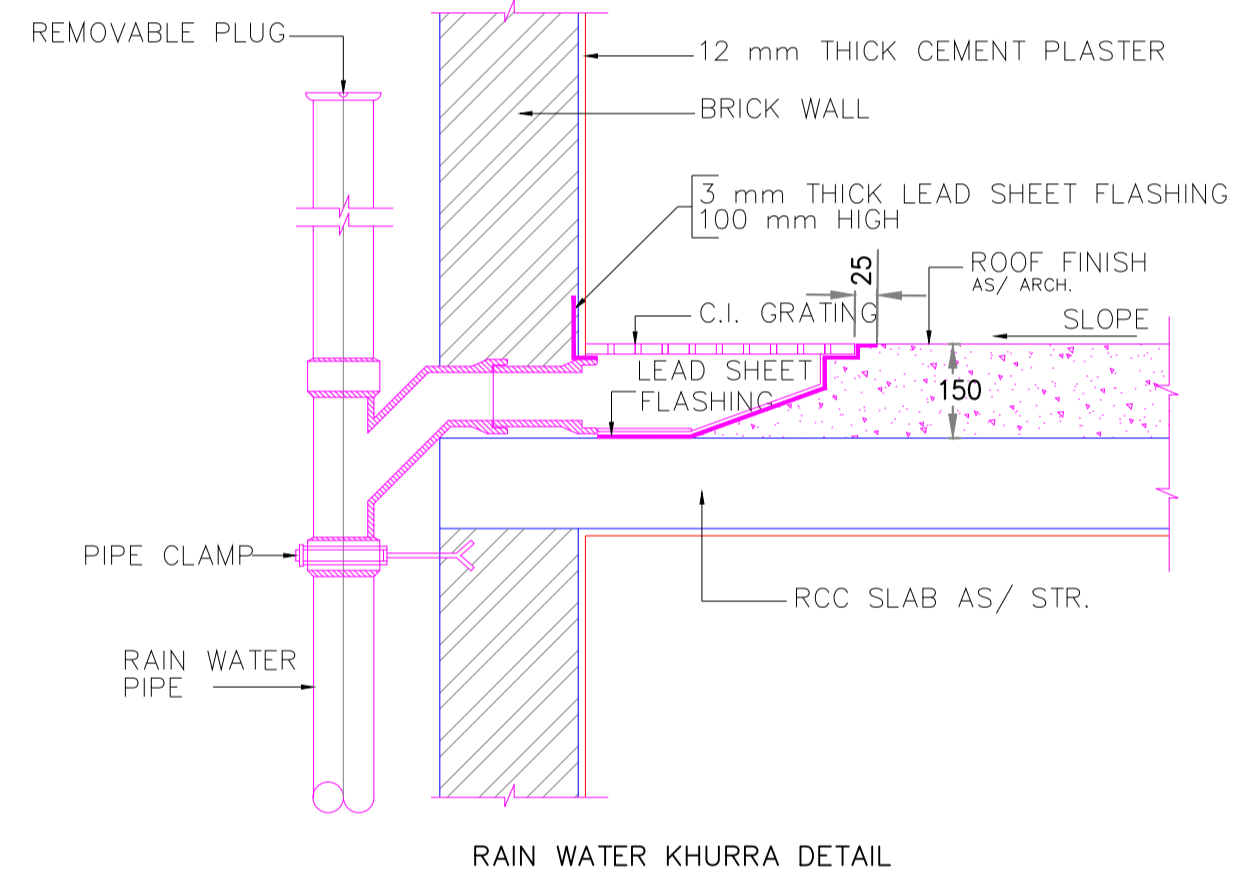
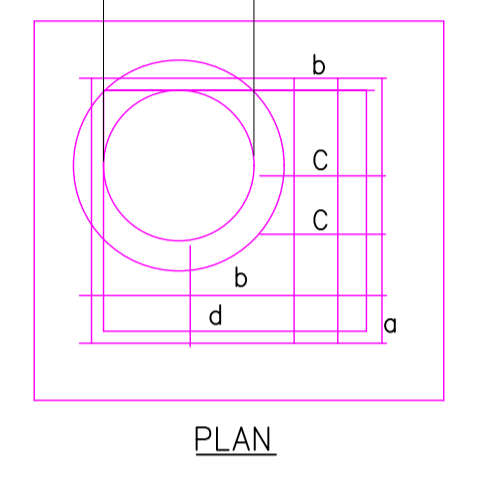
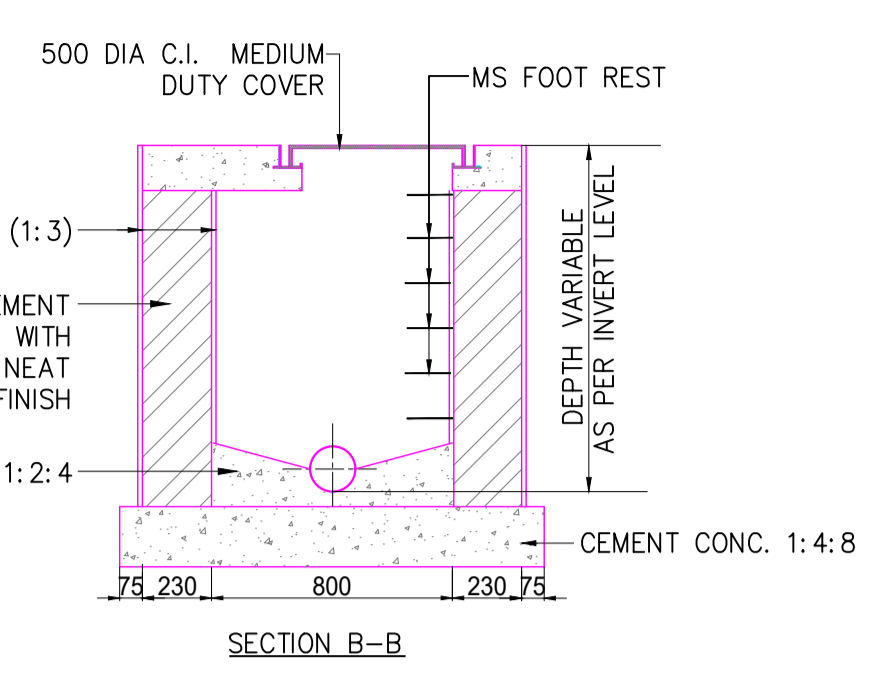
DETAIL DESIGN CONSULTANT :



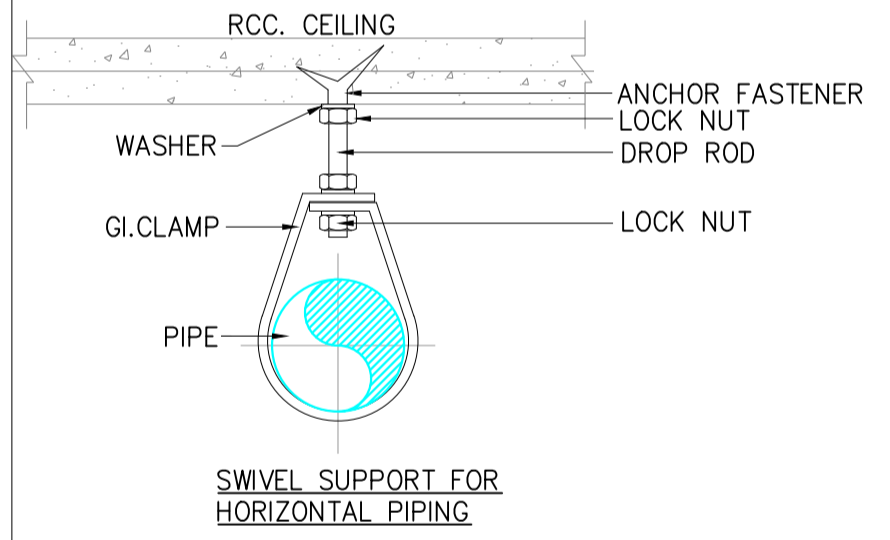
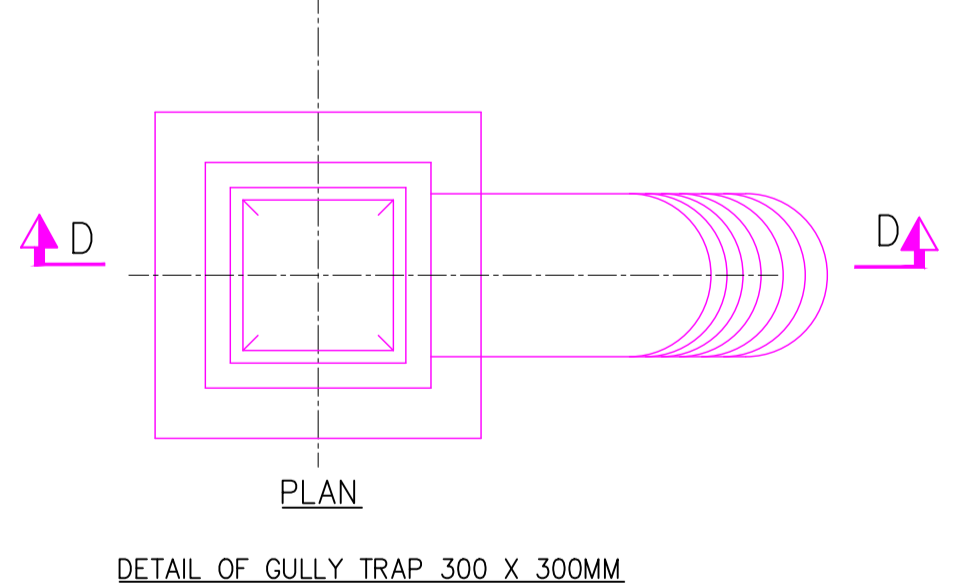
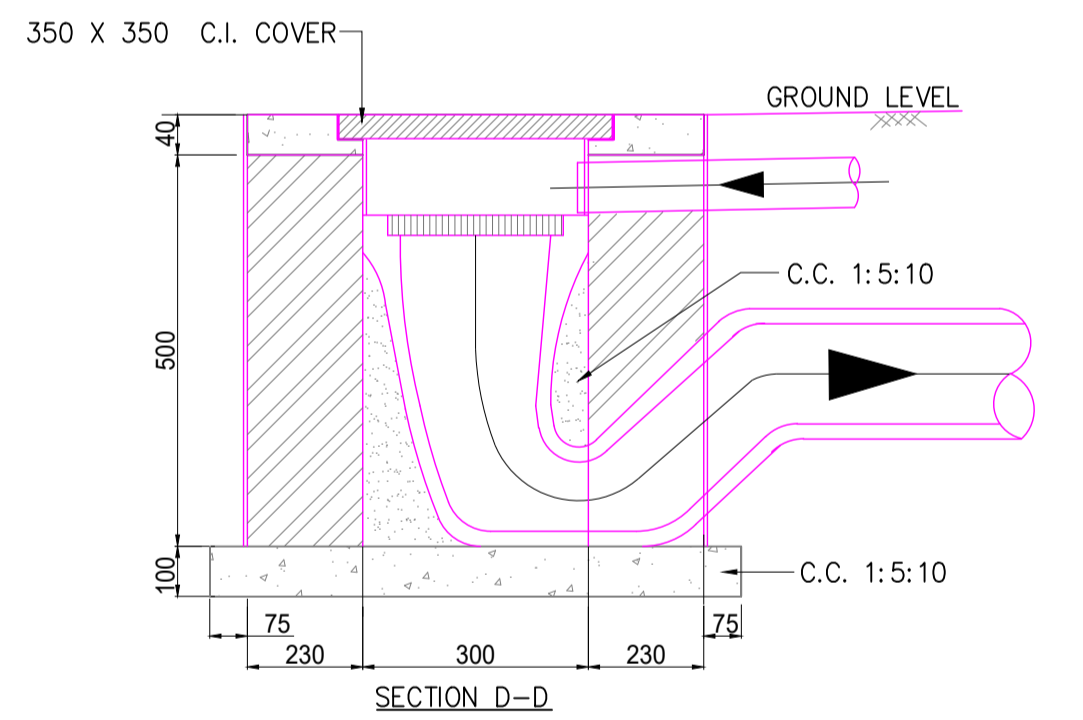
Ayesa India Private Limited
D 99, 3rd Floor, Sector 2, Noida -201301, Gautam
Budh Nagar, Uttar Pradesh
Tel.: +(91) 120 490 8800, Email: delhi@ayesa.com



DETAIL OF RECTANGULAR MANHOLE 900 X 800MM

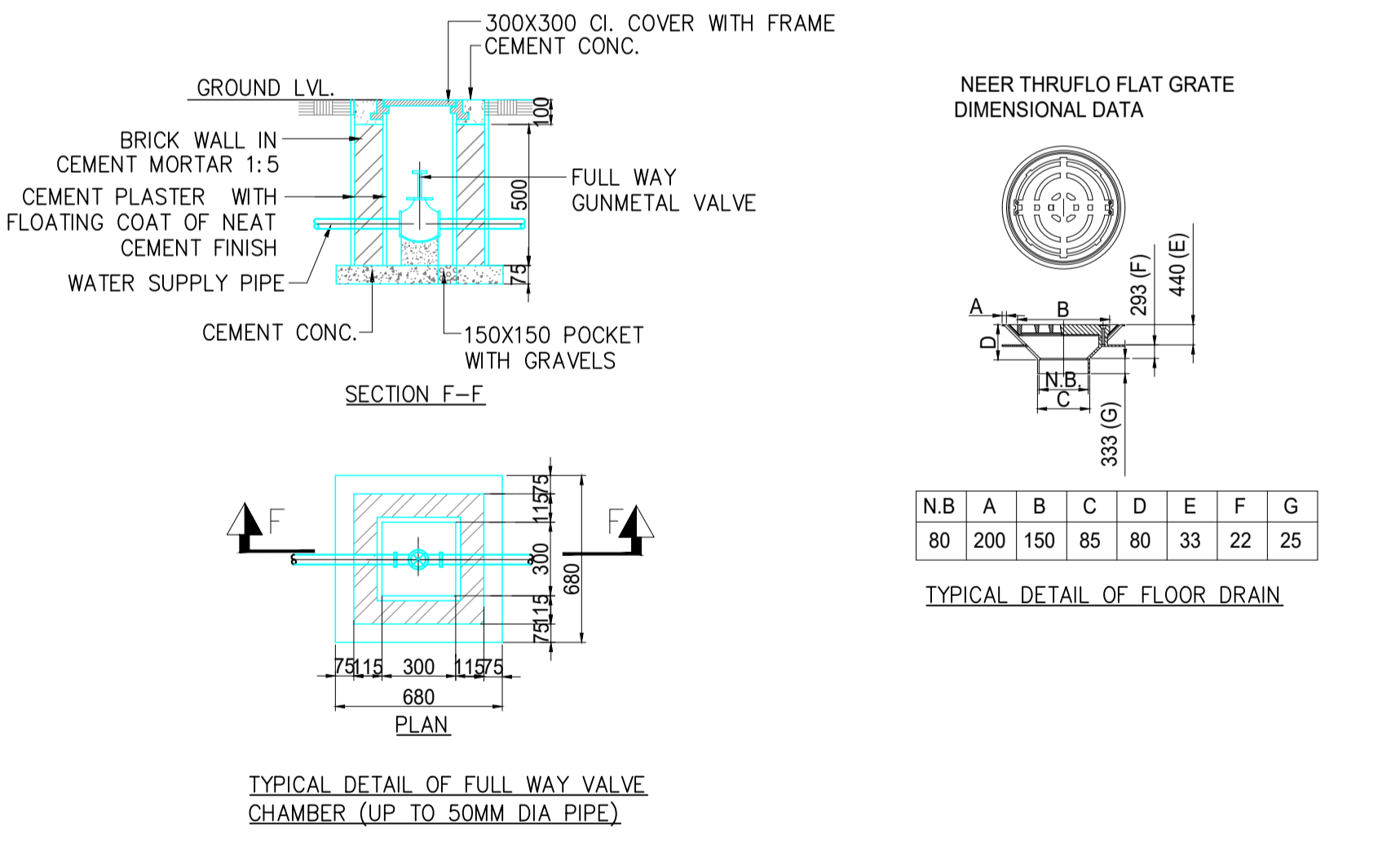
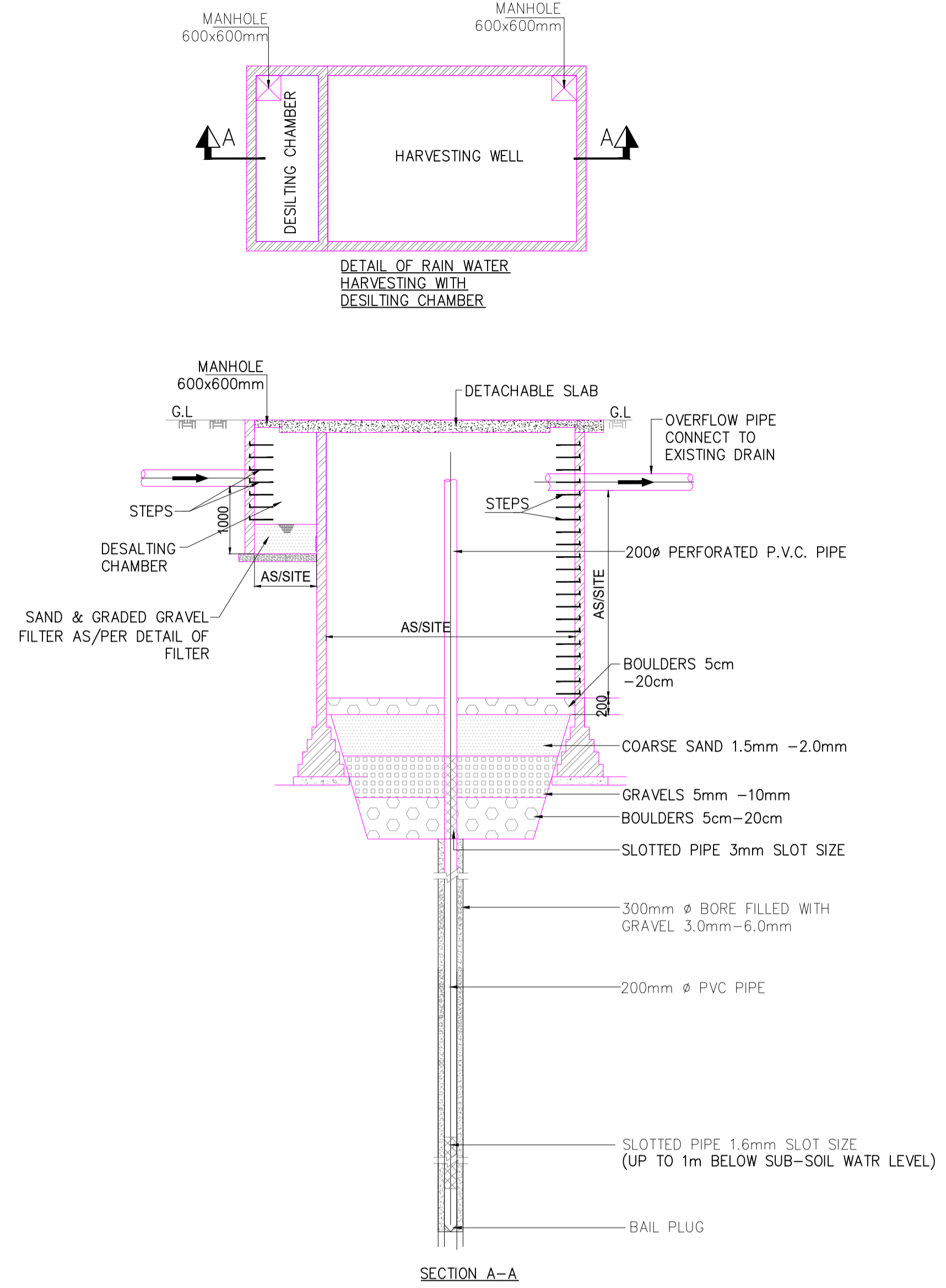
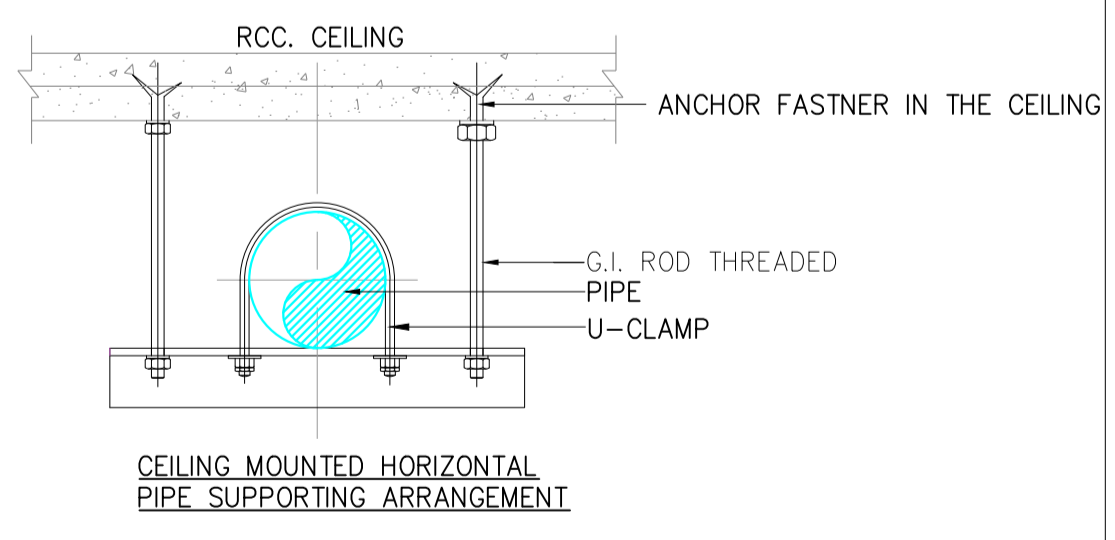
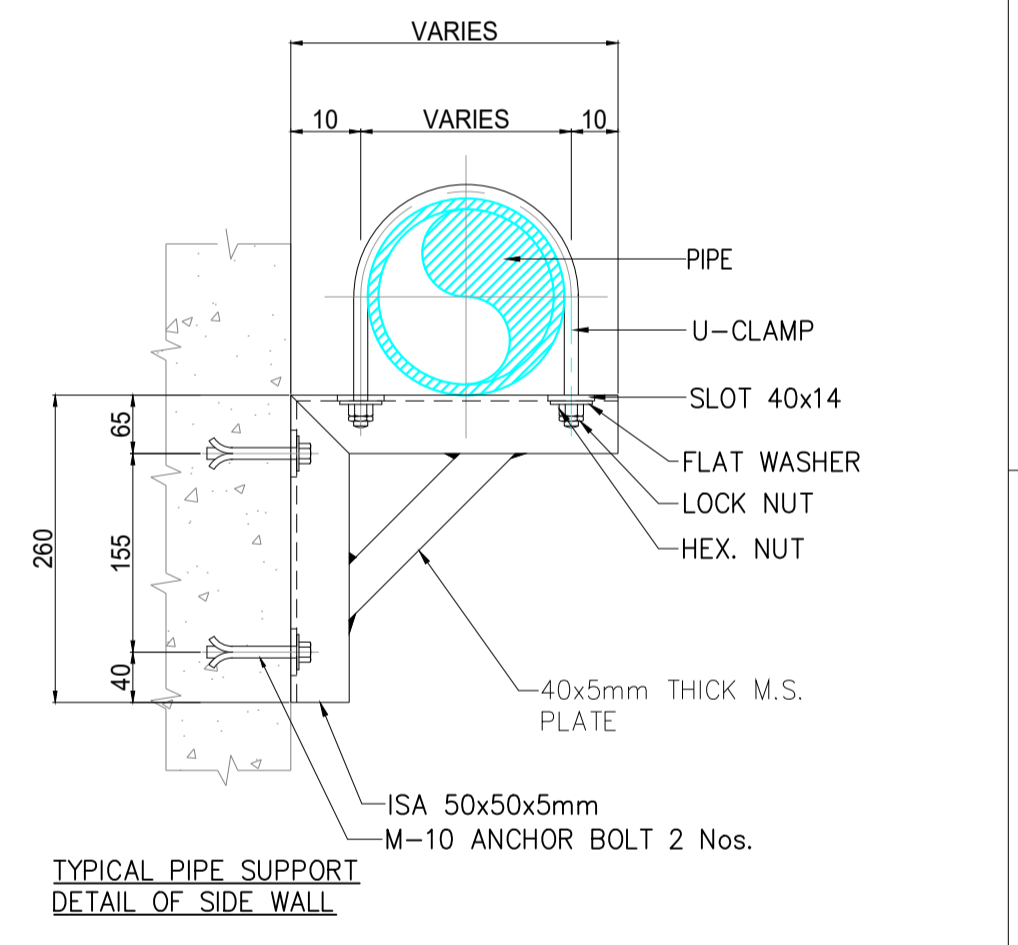


- NOTES**
1. ALL DIMENSIONS ARE IN MM. UNLESS OTHERWISE SPECIFIED
 2. PROPER CEMENT CONCRETE CHANNEL AND TRENCHING ARE TO BE PROVIDED RELEVANT SMOOTH WITH FLOATING COAT OF NEAT CEMENT FINISH.
 3. TOP OF MANHOLES, CATCH BASINS ARE TO BE PLACED IN CONJUNCTION WITH ADJACENT FINISHED LEVEL AS APPLICABLE.



SPACING FOR PIPE SUPPORT ARE AS FOLLOW:-

PIPE SIZE (DN)	SUPPORT DISTANCE	
	HORIZONTAL (m)	VERTICAL (m)
15	1.8	2.4
20-32	2.4	3.0
40-50	2.4	3.7
65-100	3.0	4.6



NEER THRUFLU FLAT GRATE DIMENSIONAL DATA

N.B	A	B	C	D	E	F	G
80	200	150	85	80	33	22	25

TYPICAL DETAIL OF FLOOR DRAIN

GENERAL NOTES

1. ALL DIMENSIONS ARE IN MILLIMETER UNLESS MENTIONED.
2. ALL DIMENSIONS ARE TO BE READ AND NOT MEASURED.
3. ANY DISCREPANCY MUST BE BROUGHT TO THE NOTICE OF THE DMRC BEFORE EXECUTION OF WORK AT SITE.
4. THIS DRAWING MUST BE READ IN CONJUNCTION WITH ALL RELEVANT ARCHITECTURAL, STRUCTURAL, PLUMBING & FIRE FIGHTING, ELECTRICAL AND TRAFFIC MANAGEMENT DRAWINGS.

REVISIONS

REV.	DESCRIPTION	DATE	DRAWN BY	CHECKED BY
R0	ISSUED FIRST SUBMISSION OF TENDER DRAWINGS	27-03-2026	HL	RK

APPROVAL OF NMRC OFFICIALS

NO.	NAME	DESIGNATION	DATE

Certified that this document has been designed and checked in accordance with DDC Quality Assurance Plan.

Architecture: Design In-charge/ Coordinator
Structure: Design In-charge/ Coordinator
E&M: Design In-charge/ Coordinator

DETAIL DESIGN CONSULTANT :

ayesa
Ayesa India Private Limited
D 99, 3rd Floor, Sector 2, Noida -201301, Gautam Budh Nagar, Uttar Pradesh
Tel.: +(91) 120 490 8800, Email: delhi@ayesa.com

TENDER DESIGN

NOIDA METRO RAIL CORPORATION LTD.
Block-III, 3rd Floor, Ganga Shopping Complex, Sector-29, Noida -201301, District Gautam Budh Nagar, Uttar Pradesh, India

PROJECT: CONTRACT NO: NGNECC-01- Part Design & Construction of Elevated Viaduct and 10 nos. of Elevated Stations for Extension Projects of NMR's Aqua Line from Botanical Garden to Noida Sec-142 (from Chainage (-) 383.959 to 12130.143) and from Depot Station to Boraki MMTH (Chainage 28678.253 to 31263.482)

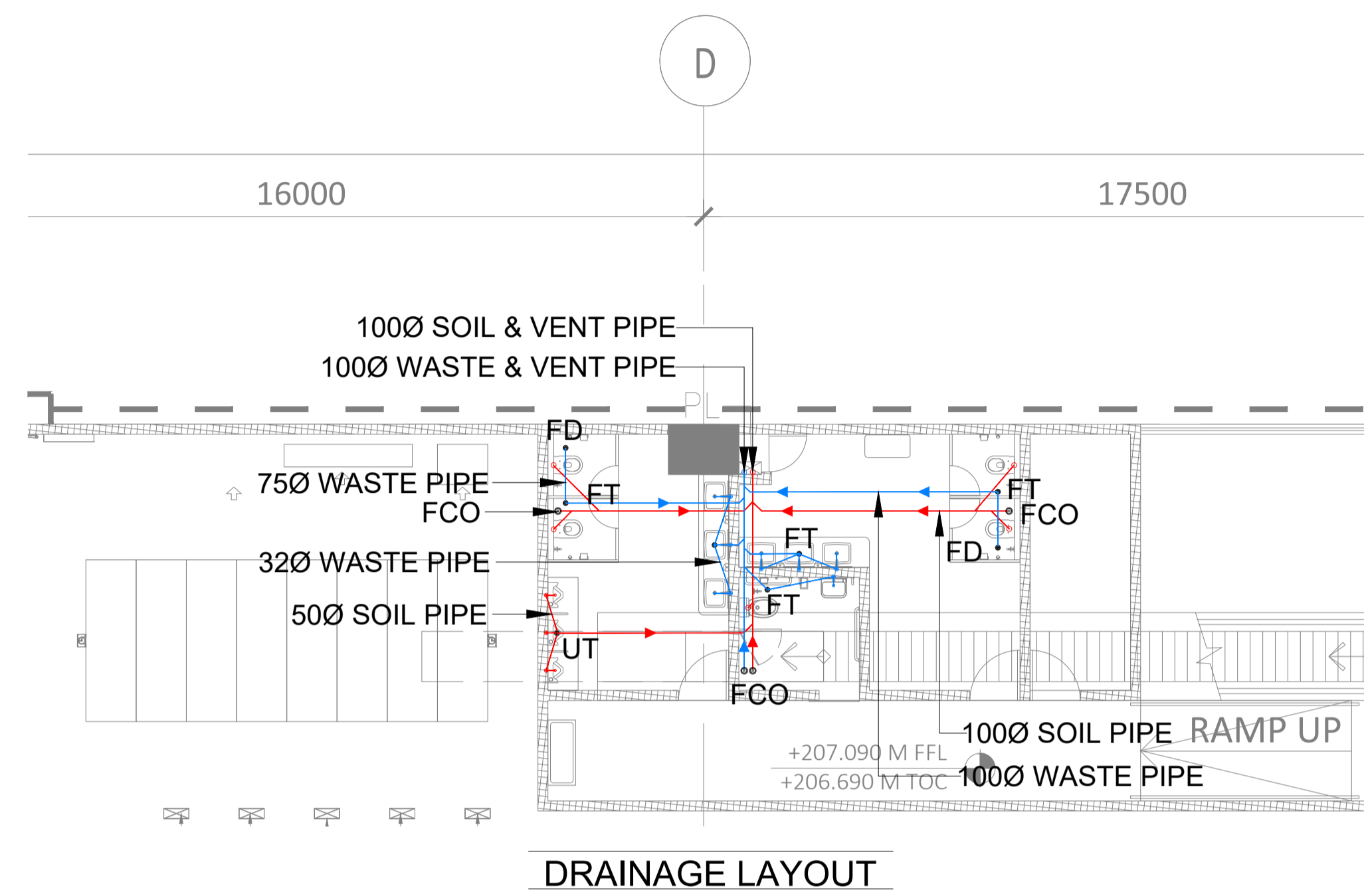
STATION: NOIDA SECTOR 93 STATION

DRAWING TITLE: TYPICAL DETAIL & SECTION - PLUMBING LAYOUT

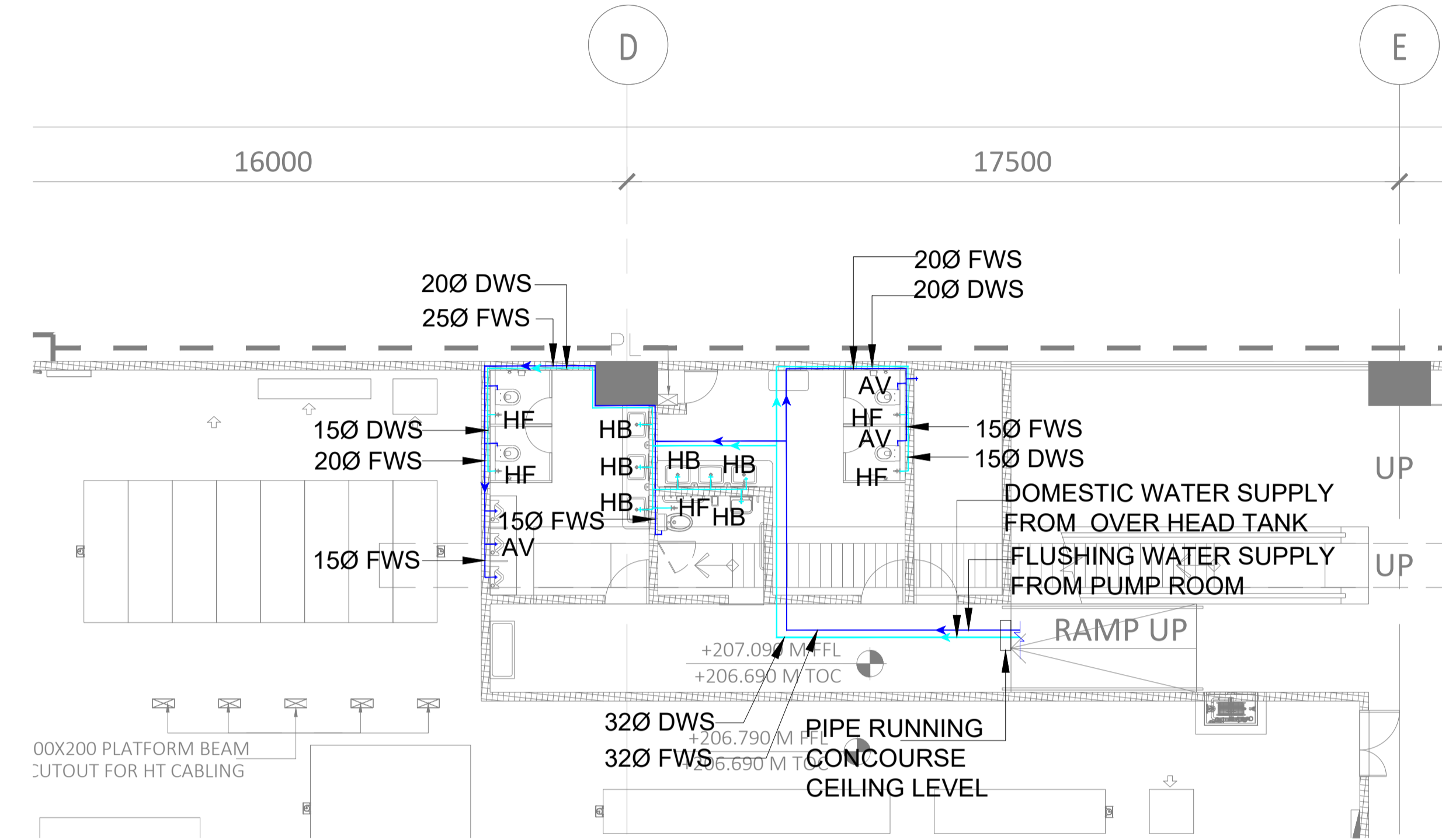
NORTH	DRAWN BY: HL	CHECKED BY: RK	VERIFIED BY: SJ	APPROVED BY: NG
	DATE: 27-03-2026	REV: R0	SCALE: N.T.S.	STATUS: TED
ORDER N°	DRAWING NUMBER: NGNE-S93-TED-PLB-10002	SHEET NO: 01 OF 01	SHEET SIZE: A-1	

NGNECC PLUMBING

This drawing must not be either loaned, copied or otherwise reproduced in whole or in part or used for any purpose without the prior written permission of NMR.



DRAINAGE LAYOUT



WATER SUPPLY LAYOUT

LEGEND:-

1	WASTE PIPE	
2	SOIL PIPE	
3	FLOOR TRAP	
4	FLOOR DRAIN	
5	URINAL TRAP	
6	FLOOR CLEAN OUT	
7	DOMESTIC WATER SUPPLY PIPE	
8	FLUSHING WATER SUPPLY PIPE	
9	DOMESTIC WATER SUPPLY	
10	FLUSHING WATER SUPPLY	
11	ANGLE VALVE	
12	HOSE BIB	
13	HEALTH FAUCET	
14	BALL VALVE	

TENDER DESIGN

NOIDA METRO RAIL CORPORATION LTD.
 Block-III, 3rd Floor, Ganga Shopping Complex, Sector-29, Noida -201301,
 District Gautam Budh Nagar, Uttar Pradesh, India

PROJECT: CONTRACT NO: NGNECC-01- Part Design & Construction of Elevated Viaduct and 10 nos. of Elevated Stations for Extension Projects of NMRC's Aqua Line from Botanical Garden to Noida Sec-142 (from Chainage (-) 383.959 to 12130.143) and from Depot Station to Boraki MMTH (Chainage 28678.253 to 31263.482)

STATION: NOIDA SECTOR 93 STATION
 DRAWING TITLE: TOILET DETAIL -PLUMBING LAYOUT

NORTH	DRAWN BY: HL	CHECKED BY: RK	VERIFIED BY: SJ	APPROVED BY: NG
	DATE: 27-03-2026	REV: R0	SCALE: 1:100	STATUS: TED
ORDER N°	DRAWING NUMBER: NGNE-S93-TED-PLB-10003	SHEET NO. 01 OF 01	SHEET SIZE A-1	

Certified that this document has been designed and checked in accordance with DDC Quality Assurance Plan.

Authorised Signatory for DDC, NGNEDDC Project Manager

Architecture Design In-charge/ Coordinator Structure Design In-charge/ Coordinator E&M Design In-charge/ Coordinator



Ayesa India Private Limited
 D 99, 3rd Floor, Sector 2, Noida -201301, Gautam
 Budh Nagar, Uttar Pradesh
 Tel.: +(91) 120 490 8800, Email: delhi@ayesa.com

DETAIL DESIGN CONSULTANT :

APPROVAL OF NMRC OFFICIALS

REVISIONS

REV.	DESCRIPTION	DATE	DRAWN BY	CHECKED BY
R0	ISSUED FIRST SUBMISSION OF TENDER DRAWINGS	27-03-2026	HL	RK

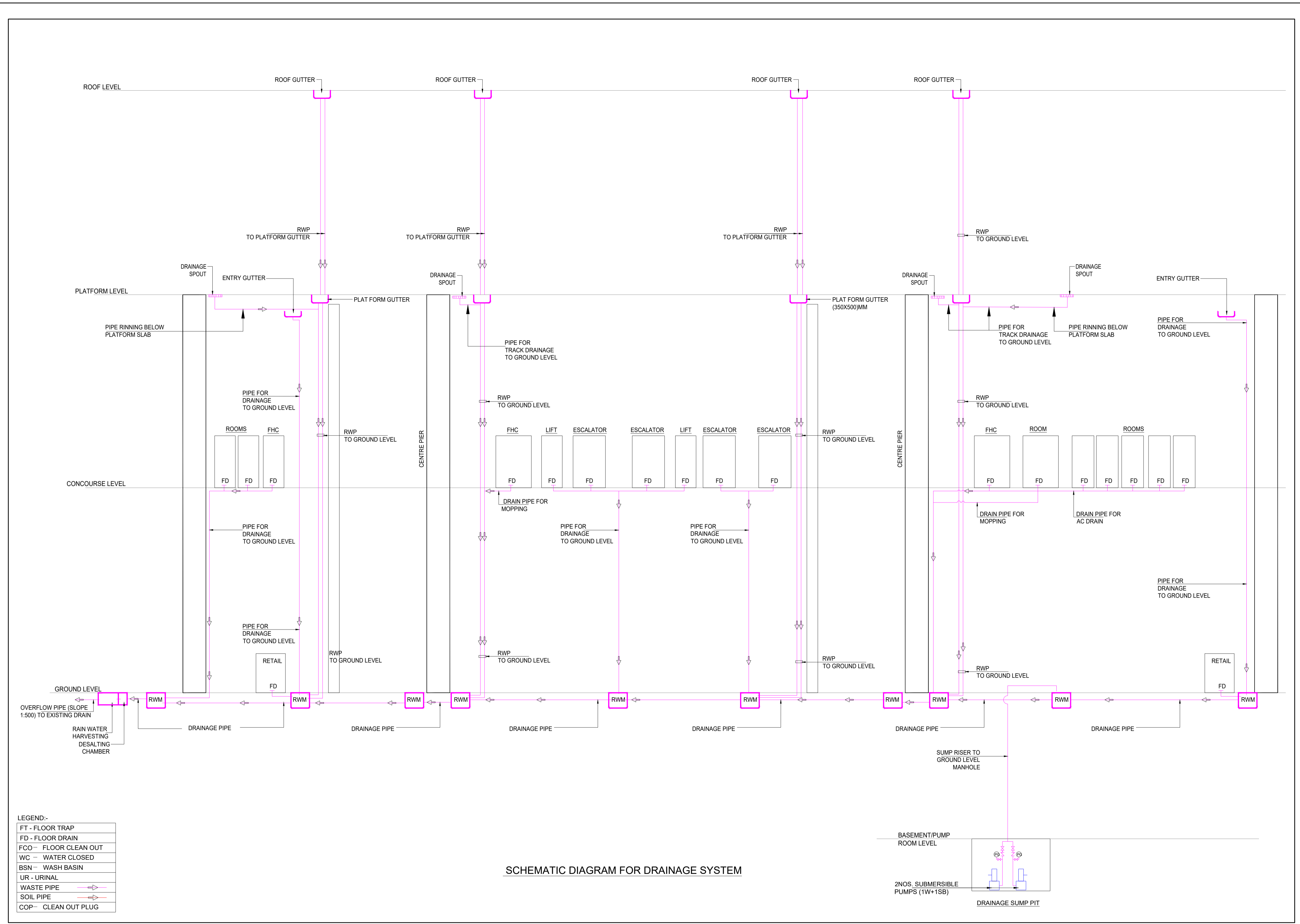
GENERAL NOTES

1. ALL DIMENSIONS ARE IN MILLIMETER UNLESS MENTIONED.
 2. ALL DIMENSIONS ARE TO BE READ AND NOT MEASURED.
 3. ANY DISCREPANCY MUST BE BROUGHT TO THE NOTICE OF THE DMRC BEFORE EXECUTION OF WORK AT SITE.
 4. THIS DRAWING MUST BE READ IN CONJUNCTION WITH ALL RELEVANT ARCHITECTURAL, STRUCTURAL, PLUMBING & FIRE FIGHTING, ELECTRICAL AND TRAFFIC MANAGEMENT DRAWINGS.

REVISION	DESCRIPTION	DRAWING NO.

THIS DRAWING IS THE PROPERTY OF Noida Metro Rail Corporation Ltd.

This drawing must not be either loaned, copied or otherwise reproduced in whole or in part or used for any purpose without the prior written permission of NMRC.



SCHMATIC DIAGRAM FOR DRAINAGE SYSTEM

TENDER DESIGN

NOIDA METRO RAIL CORPORATION LTD.
 Block-III, 3rd Floor, Ganga Shopping Complex, Sector-29, Noida -201301,
 District Gautam Budh Nagar, Uttar Pradesh, India

PROJECT: CONTRACT NO: NGNECC-01- Part Design & Construction of Elevated Viaduct and 10 nos. of Elevated Stations for Extension Projects of NMRC's Aqua Line from Botanical Garden to Noida Sec-142 (from Chainage (-) 383.959 to 12130.143) and from Depot Station to Boraki MMTH (Chainage 28678.253 to 31263.482)

STATION: NOIDA SECTOR 93 STATION

DRAWING TITLE: SCHEMATIC DIAGRAM FOR DRAINAGE SYSTEM

NORTH	DRAWN BY: HL	CHECKED BY: RK	VERIFIED BY: SJ	APPROVED BY: NG
	DATE: 27-03-2026	REV: R0	SCALE: N.T.S.	STATUS: TED
ORDER N°	DRAWING NUMBER: NGNE-S93-TED-PLB-10004	SHEET NO. 01 OF 01	SHEET SIZE A-1	

GENERAL NOTES:
 1. ALL DIMENSIONS ARE IN MILLIMETER UNLESS MENTIONED.
 2. ALL DIMENSIONS ARE TO BE READ AND NOT MEASURED.
 3. ANY DISCREPANCY MUST BE BROUGHT TO THE NOTICE OF THE DMRC BEFORE EXECUTION OF WORK AT SITE.
 4. THIS DRAWING MUST BE READ IN CONJUNCTION WITH ALL RELEVANT ARCHITECTURAL, STRUCTURAL, PLUMBING & FIRE FIGHTING, ELECTRICAL AND TRAFFIC MANAGEMENT DRAWINGS.

REVISION	DESCRIPTION	DRAWING NO.

REV.	DESCRIPTION	DATE	DRAWN BY	CHECKED BY
R0	ISSUED FIRST SUBMISSION OF TENDER DRAWINGS	27-03-2026	HL	RK

APPROVAL OF NMRC OFFICIALS				

Certified that this document has been designed and checked in accordance with DDC Quality Assurance Plan.

Architecture Design In-charge/ Coordinator: _____
 Structure Design In-charge/ Coordinator: _____
 E&M Design In-charge/ Coordinator: _____

DETAIL DESIGN CONSULTANT :

ayesa

Ayesa India Private Limited
 D 99, 3rd Floor, Sector 2, Noida -201301, Gautam
 Budh Nagar, Uttar Pradesh
 Tel.: +(91) 120 490 8800, Email: delhi@ayesa.com

This drawing must not be either loaned, copied or otherwise reproduced in whole or in part or used for any purpose without the prior written permission of NMRC.

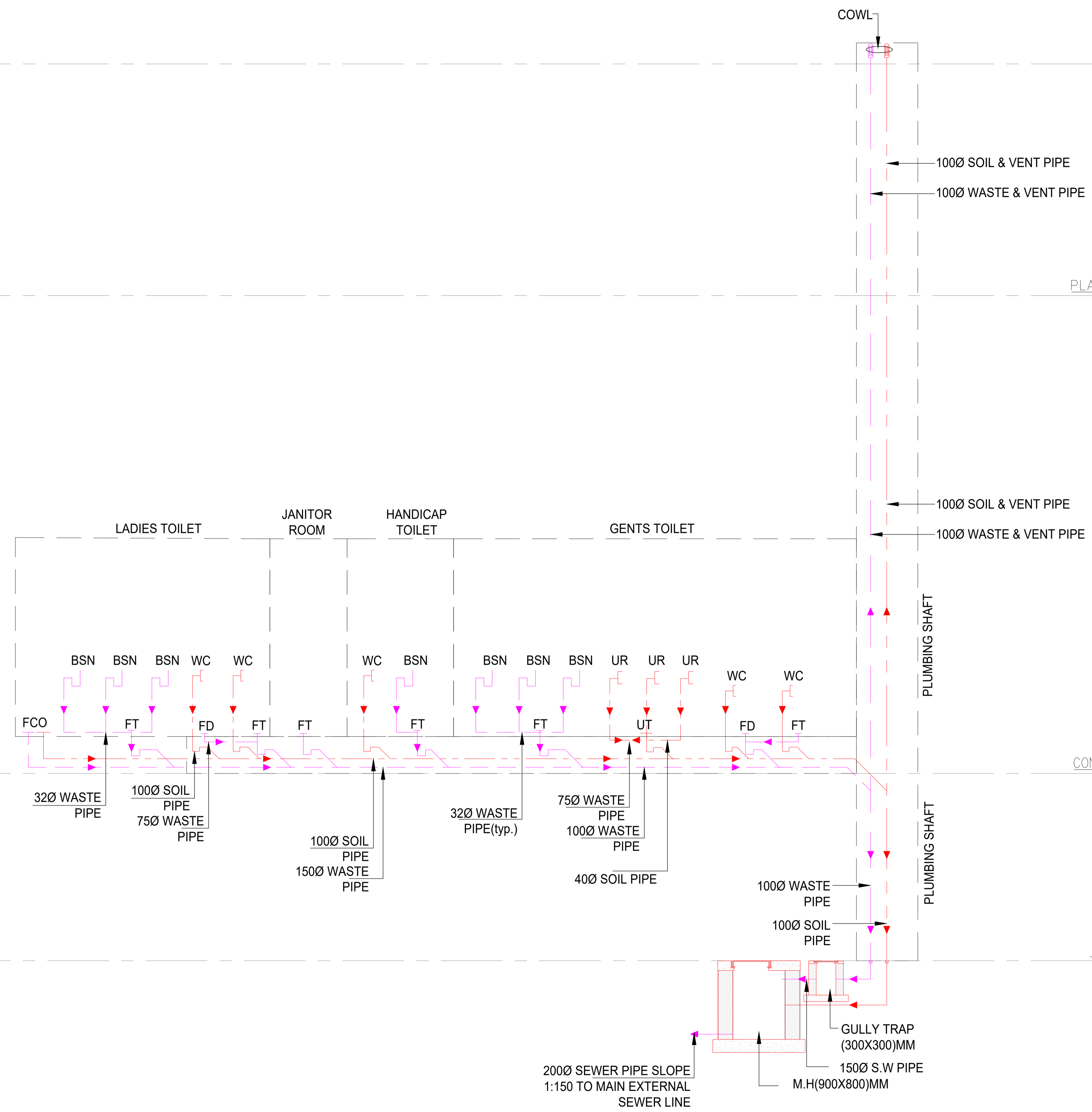
€ OF STATION

ROOF LEVEL

PLATFORM LEVEL

CONCOURSE LEVEL

GROUND LEVEL



LEGEND:-

FT - FLOOR TRAP	
FD - FLOOR DRAIN	
FCO - FLOOR CLEAN OUT	
WC - WATER CLOSED	
BSN - WASH BASIN	
UR - URINAL	
WASTE PIPE	
SOIL PIPE	

SCHEMATIC DIAGRAM FOR SEWAGE SYSTEM

TENDER DESIGN

<p>NOIDA METRO RAIL CORPORATION LTD. Block-III, 3rd Floor, Ganga Shopping Complex, Sector-29, Noida -201301, District Gautam Budh Nagar, Uttar Pradesh, India</p>													
<p>PROJECT: CONTRACT NO: NGNECC-01- Part Design & Construction of Elevated Viaduct and 10 nos. of Elevated Stations for Extension Projects of NMRC's Aqua Line from Botanical Garden to Noida Sec-142 (from Chainage (-) 383.959 to 12130.143) and from Depot Station to Boraki MMTH (Chainage 28678.253 to 31263.482)</p>													
<p>STATION: NOIDA SECTOR 93 STATION</p>													
<p>DRAWING TITLE: SCHEMATIC DIAGRAM FOR SEWAGE SYSTEM</p>													
<p>NORTH</p>	<table border="1"> <tr> <td>DRAWN BY: HL</td> <td>CHECKED BY: RK</td> <td>VERIFIED BY: SJ</td> <td>APPROVED BY: NG</td> </tr> <tr> <td>DATE: 27-03-2026</td> <td>REV: R0</td> <td>SCALE: N.T.S.</td> <td>STATUS: TED</td> </tr> <tr> <td>ORDER N°</td> <td>DRAWING NUMBER: NGNE-S93-TED-PLB-10005</td> <td>SHEET NO. 01 OF 01</td> <td>SHEET SIZE A-1</td> </tr> </table>	DRAWN BY: HL	CHECKED BY: RK	VERIFIED BY: SJ	APPROVED BY: NG	DATE: 27-03-2026	REV: R0	SCALE: N.T.S.	STATUS: TED	ORDER N°	DRAWING NUMBER: NGNE-S93-TED-PLB-10005	SHEET NO. 01 OF 01	SHEET SIZE A-1
DRAWN BY: HL	CHECKED BY: RK	VERIFIED BY: SJ	APPROVED BY: NG										
DATE: 27-03-2026	REV: R0	SCALE: N.T.S.	STATUS: TED										
ORDER N°	DRAWING NUMBER: NGNE-S93-TED-PLB-10005	SHEET NO. 01 OF 01	SHEET SIZE A-1										
<p>This drawing must not be either loaned, copied or otherwise reproduced in whole or in part or used for any purpose without the prior written permission of NMRC.</p>													

Certified that this document has been designed and checked in accordance with DDC Quality Assurance Plan.

Architecture Design In-charge/ Coordinator: _____
 Structure Design In-charge/ Coordinator: _____
 E&M Design In-charge/ Coordinator: _____

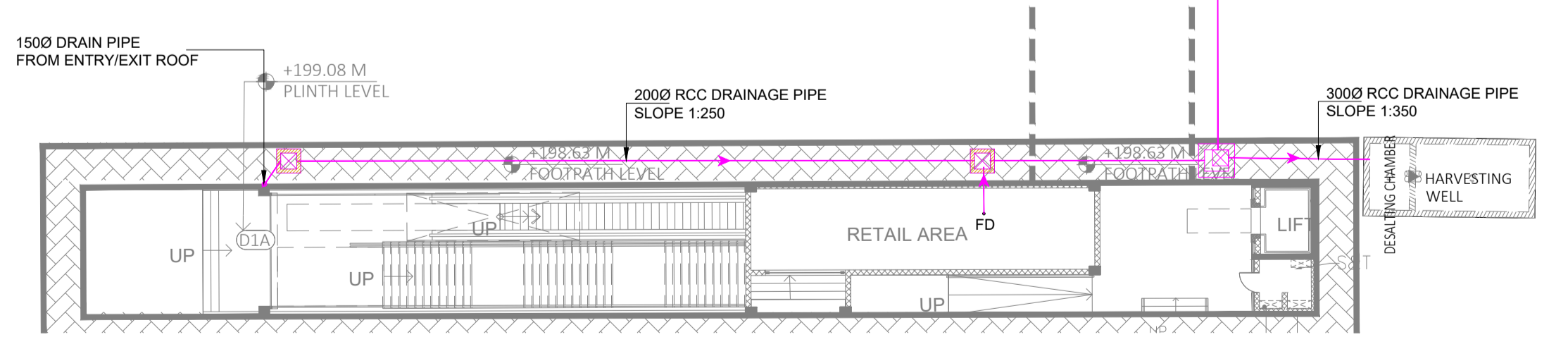
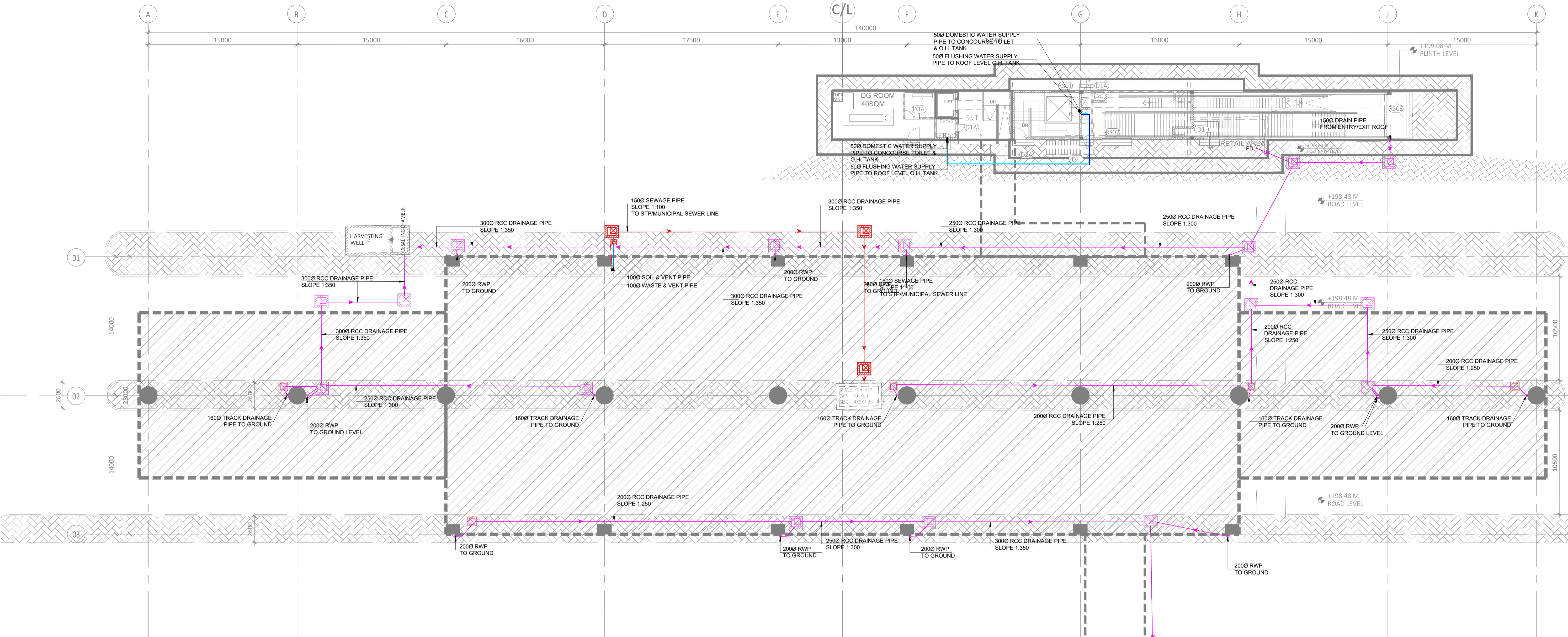
DETAIL DESIGN CONSULTANT :

Ayesa India Private Limited
 D 99, 3rd Floor, Sector 2, Noida -201301, Gautam Budh Nagar, Uttar Pradesh
 Tel.: +(91) 120 490 8800, Email: delhi@ayesa.com

REVISIONS		APPROVAL OF NMRC OFFICIALS			
REV.	DESCRIPTION	DATE	DRAWN BY	CHECKED BY	
R0	ISSUED FIRST SUBMISSION OF TENDER DRAWINGS	27-03-2026	HL	RK	

REFERENCE DRAWINGS	
REVISION	DRAWING NO.

THIS DRAWING IS THE PROPERTY OF NOIDA METRO RAIL CORPORATION LTD.



LEGENDS:

SYMBOL	DESCRIPTION
	FLOOR DRAIN
	SEWER MANHOLE
	DRAINAGE MANHOLE
	CATCH BASIN

GENERAL NOTES:

- ALL DIMENSIONS ARE IN MILLIMETER UNLESS MENTIONED.
- ALL DIMENSIONS ARE TO BE READ AND NOT MEASURED.
- ANY DISCREPANCY MUST BE BROUGHT TO THE NOTICE OF THE DMRC BEFORE EXECUTION OF WORK AT SITE.
- THIS DRAWING MUST BE READ IN CONJUNCTION WITH ALL RELEVANT ARCHITECTURAL, STRUCTURAL, PLUMBING & FIRE FIGHTING, ELECTRICAL AND TRAFFIC MANAGEMENT DRAWINGS.

REVISION	DESCRIPTION	DRAWING NO.

REVISIONS				
REV.	DESCRIPTION	DATE	DRAWN BY	CHECKED BY
R0	ISSUED FIRST SUBMISSION OF TENDER DRAWINGS	27-03-2026	HL	RK

APPROVAL OF NMRC OFFICIALS

Certified that this document has been designed and checked in accordance with DDC Quality Assurance Plan.

Architecture Design In-charge/ Coordinator: _____
 Structure Design In-charge/ Coordinator: _____
 E&M Design In-charge/ Coordinator: _____

Authorised Signatory for DDC, NGNEDDC Project Manager: _____

DETAIL DESIGN CONSULTANT : **ayesa**
 Ayesa India Private Limited
 D 99, 3rd Floor, Sector 2, Noida -201301, Gautam Budh Nagar, Uttar Pradesh
 Tel.: +(91) 120 490 8800, Email: delhi@ayesa.com

TENDER DESIGN

NOIDA METRO RAIL CORPORATION LTD.
 Block-III, 3rd Floor, Ganga Shopping Complex, Sector-29, Noida -201301, District Gautam Budh Nagar, Uttar Pradesh, India

PROJECT: CONTRACT NO: NGNECC-01- Part Design & Construction of Elevated Viaduct and 10 nos. of Elevated Stations for Extension Projects of NMRC's Aqua Line from Botanical Garden to Noida Sec-142 (from Chainage (-) 383.959 to 12130.143) and from Depot Station to Boraki MMTH (Chainage 28678.253 to 31263.482)

STATION: NOIDA SECTOR 93 STATION

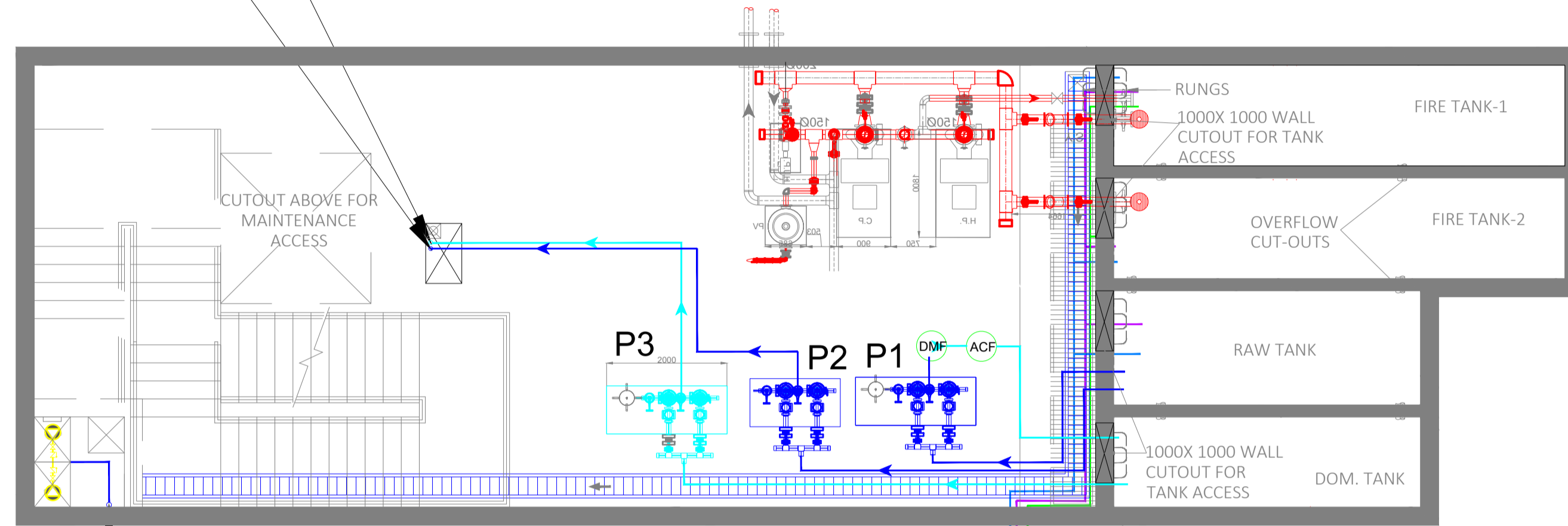
DRAWING TITLE: GROUND FLOOR PLAN -DRAINAGE & WATER SUPPLY LAYOUT

NORTH	DRAWN BY: HL	CHECKED BY: RK	VERIFIED BY: SJ	APPROVED BY: NG
DATE: 27-03-2026	REV: R0	SCALE: 1:200	STATUS: TED	
ORDER N°	DRAWING NUMBER: NGNE-S93-TED-PLB-11001	SHEET NO. 01 OF 01	SHEET SIZE A-1	

NGNEDDC PLUMBING

This drawing must not be either loaned, copied or otherwise reproduced in whole or in part or used for any purpose without the prior written permission of NMRC.

65Ø DOMESTIC WATER SUPPLY PIPE TO CONCOURSE TOILET & O.H. TANK
 65Ø FLUSHING WATER SUPPLY PIPE TO ROOF LEVEL O.H. TANK



80Ø SUMP RISER PIPE TO EXTERNAL CATCH BASIN
 80Ø TANKER SUPPLY
 80Ø MUNICIPAL WATER SUPPLY
 80Ø BORE WELL WATER SUPPLY
WATER TANKS & PUMP ROOM AT BASEMENT LEVEL

LEGEND:

S.NO.	SYMBOL	DESCRIPTION
1		BUTTERFLY VALVE
2		NON RETURN VALVE
3		FLUSHING WATER SUPPLY LINE
4		DOMESTIC WATER SUPPLY LINE
5		DUAL MEDIA FILTER
6		ACTIVATE CARBON FILTER

SIZE OF FOUNDATION OF PUMPS		
ITEM	PUMPS	DRIVE
P1	RAW WATER FILTRATION PUMP	ELECTRIC
P2	RAW WATER TRANSFER PUMP	ELECTRIC
P3	DOMESTIC WATER TRANSFER PUMP	ELECTRIC

TENDER DESIGN

NOIDA METRO RAIL CORPORATION LTD.
 Block-III, 3rd Floor, Ganga Shopping Complex, Sector-29, Noida -201301,
 District Gautam Budh Nagar, Uttar Pradesh, India

PROJECT: CONTRACT NO: NGNECC-01- Part Design & Construction of Elevated Viaduct and 10 nos. of Elevated Stations for Extension Projects of NMRC's Aqua Line from Botanical Garden to Noida Sec-142 (from Chainage (-) 383.959 to 12130.143) and from Depot Station to Boraki MMTH (Chainage 28678.253 to 31263.482)

STATION: NOIDA SECTOR 93 STATION

DRAWING TITLE: PUMP ROOM-PLUMBING LAYOUT

NORTH 	DRAWN BY: HL	CHECKED BY: RK	VERIFIED BY: SJ	APPROVED BY: NG
	DATE: 27-03-2026	REV: R0	SCALE: 1:75	STATUS: TED
ORDER N°	DRAWING NUMBER: NGNE-S93-TED-PLB-12001	SHEET NO. 01 OF 01	SHEET SIZE A-1	

This drawing must not be either loaned, copied or otherwise reproduced in whole or in part or used for any purpose without the prior written permission of NMRC.

GENERAL NOTES:
 1. ALL DIMENSIONS ARE IN MILLIMETER UNLESS MENTIONED.
 2. ALL DIMENSIONS ARE TO BE READ AND NOT MEASURED.
 3. ANY DISCREPANCY MUST BE BROUGHT TO THE NOTICE OF THE NMRC BEFORE EXECUTION OF WORK AT SITE.
 4. THIS DRAWING MUST BE READ IN CONJUNCTION WITH ALL RELEVANT ARCHITECTURAL, STRUCTURAL, PLUMBING & FIRE FIGHTING, ELECTRICAL AND TRAFFIC MANAGEMENT DRAWINGS.

REVISION	DESCRIPTION	DRAWING NO.

REVISIONS				
REV.	DESCRIPTION	DATE	DRAWN BY	CHECKED BY
R0	ISSUED FIRST SUBMISSION OF TENDER DRAWINGS	27-03-2026	HL	RK

APPROVAL OF NMRC OFFICIALS				

Certified that this document has been designed and checked in accordance with DDC Quality Assurance Plan.

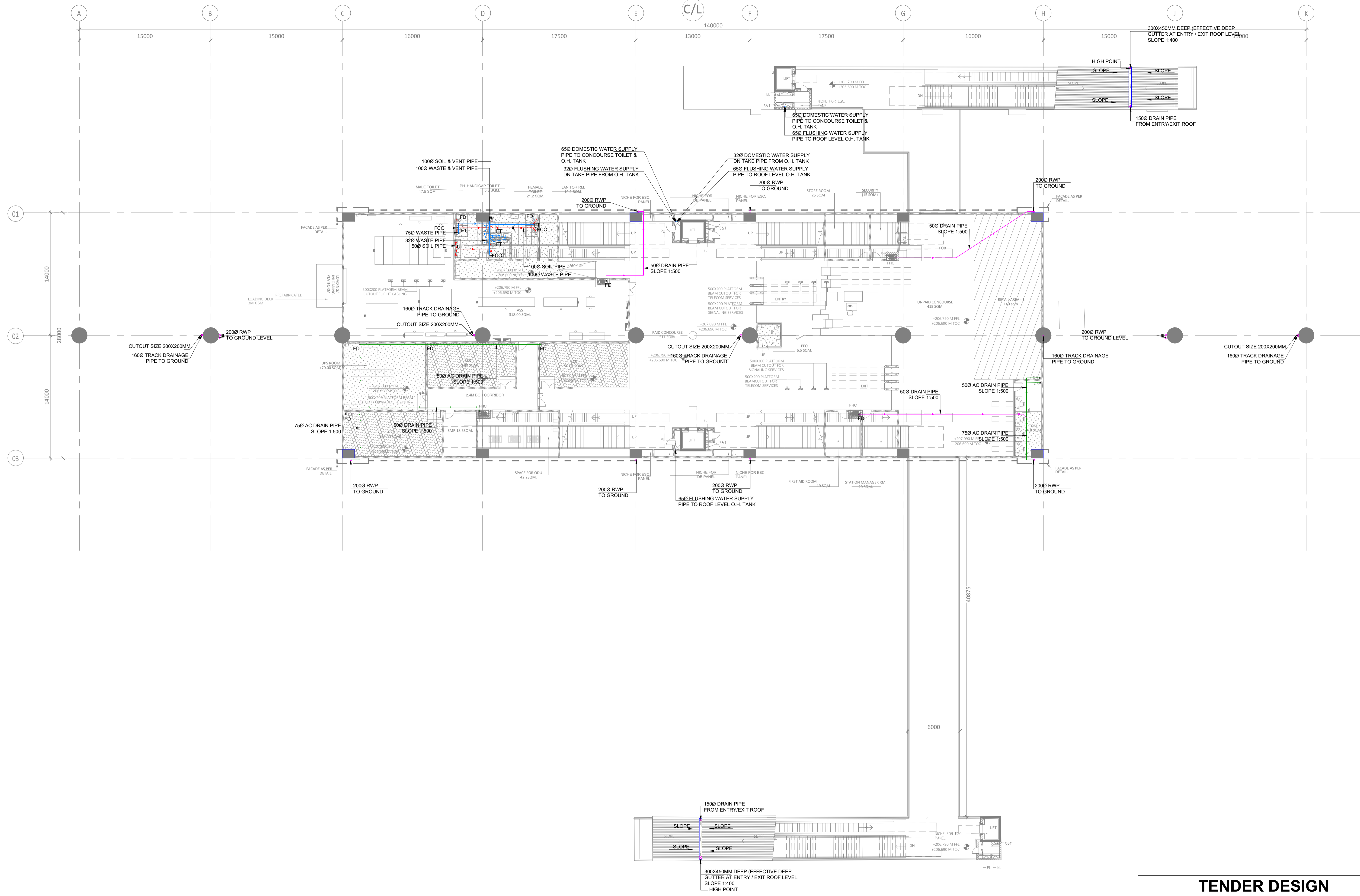
Authorised Signatory for DDC.
 NGNEDDC Project Manager

Architecture Design In-charge/ Coordinator	Structure Design In-charge/ Coordinator	E&M Design In-charge/ Coordinator
-----------------------------------------------	--------------------------------------------	--------------------------------------

DETAIL DESIGN CONSULTANT :

ayesa
 Ayesa India Private Limited
 D 99, 3rd Floor, Sector 2, Noida -201301, Gautam
 Budh Nagar, Uttar Pradesh
 Tel.: +(91) 120 490 8800, Email: delhi@ayesa.com

PLUMBING



GENERAL NOTES

1. ALL DIMENSIONS ARE IN MILLIMETER UNLESS MENTIONED.
2. ALL DIMENSIONS ARE TO BE READ AND NOT MEASURED.
3. ANY DISCREPANCY MUST BE BROUGHT TO THE NOTICE OF THE DMRC BEFORE EXECUTION OF WORK AT SITE.
4. THIS DRAWING MUST BE READ IN CONJUNCTION WITH ALL RELEVANT ARCHITECTURAL, STRUCTURAL, PLUMBING & FIRE FIGHTING, ELECTRICAL AND TRAFFIC MANAGEMENT DRAWINGS.

REVISION	DESCRIPTION	DRAWING NO.

REV.	DESCRIPTION	DATE	DRAWN BY	CHECKED BY
R0	ISSUED FIRST SUBMISSION OF TENDER DRAWINGS	27-03-2026	HL	RK

APPROVAL OF NMRC OFFICIALS

Certified that this document has been designed and checked in accordance with DDC Quality Assurance Plan.

Architecture Design In-charge/ Coordinator: _____
 Structure Design In-charge/ Coordinator: _____
 E&M Design In-charge/ Coordinator: _____

Authorised Signatory for DDC, NGNEDDC Project Manager

DETAIL DESIGN CONSULTANT : **ayesa**

Ayesa India Private Limited
 D 99, 3rd Floor, Sector 2, Noida -201301, Gautam Budh Nagar, Uttar Pradesh
 Tel.: +(91) 120 490 8800, Email: delhi@ayesa.com

TENDER DESIGN

NOIDA METRO RAIL CORPORATION LTD.
 Block-III, 3rd Floor, Ganga Shopping Complex, Sector-29, Noida -201301, District Gautam Budh Nagar, Uttar Pradesh, India

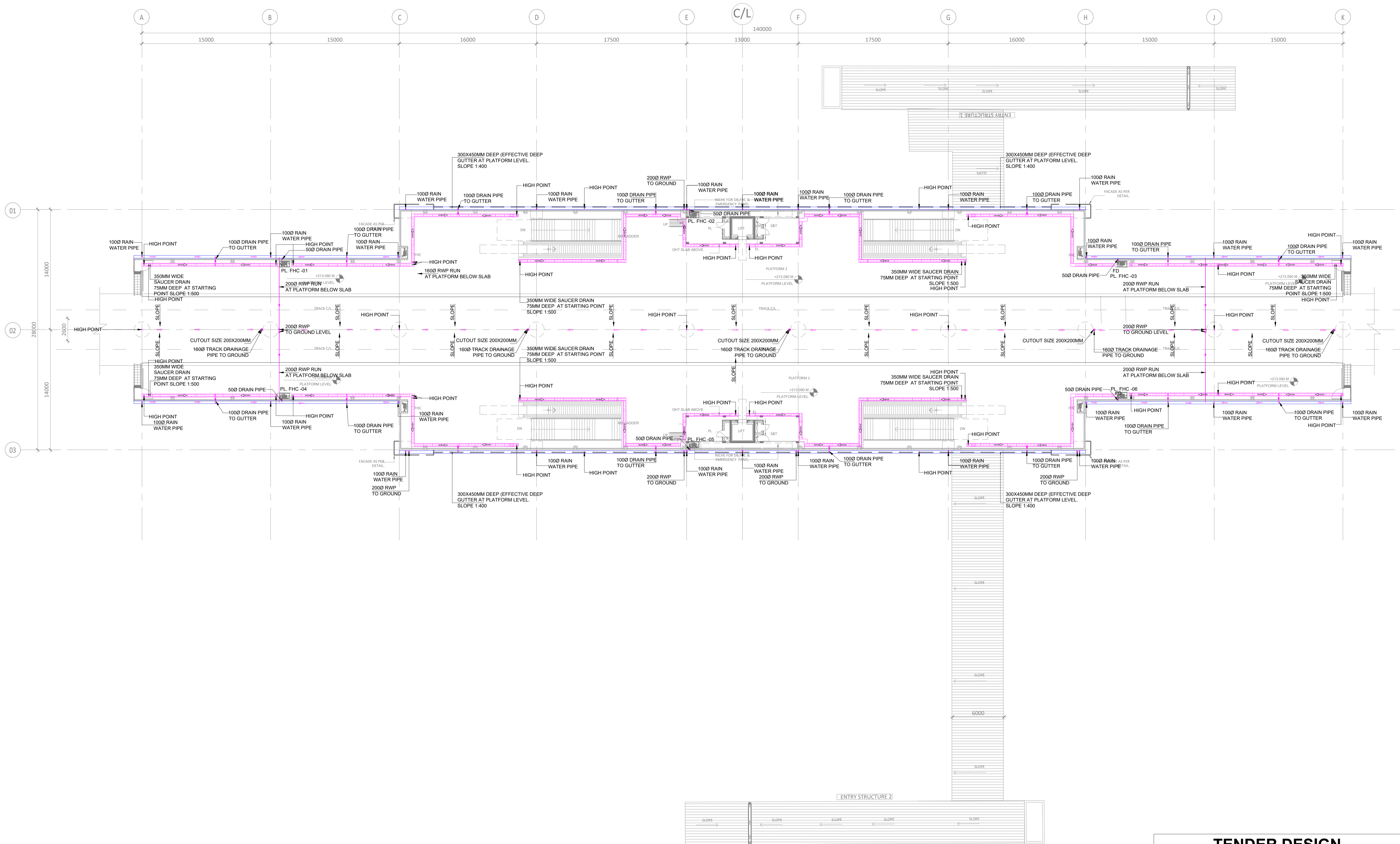
PROJECT: CONTRACT NO: NGNECC-01- Part Design & Construction of Elevated Viaduct and 10 nos. of Elevated Stations for Extension Projects of NMRC's Aqua Line from Botanical Garden to Noida Sec-142 (from Chainage (+) 383.959 to 12130.143) and from Depot Station to Boraki MMTH (Chainage 28678.253 to 31263.482)

STATION: NOIDA SECTOR 93 STATION

DRAWING TITLE: CONCOURSE LEVEL PLAN -DRAINAGE LAYOUT

NORTH	DRAWN BY: HL	CHECKED BY: RK	VERIFIED BY: SJ	APPROVED BY: NG
	DATE: 27-03-2026	REV: R0	SCALE: 1:200	STATUS: TED
ORDER N°	DRAWING NUMBER: NGNE-S93-TED-PLB-13001	SHEET NO: 01 OF 01	SHEET SIZE: A-1	

This drawing must not be either loaned, copied or otherwise reproduced in whole or in part or used for any purpose without the prior written permission of NMRC.



GENERAL NOTES

1. ALL DIMENSIONS ARE IN MILLIMETER UNLESS MENTIONED.
2. ALL DIMENSIONS ARE TO BE READ AND NOT MEASURED.
3. ANY DISCREPANCY MUST BE BROUGHT TO THE NOTICE OF THE DMRC BEFORE EXECUTION OF WORK AT SITE.
4. THIS DRAWING MUST BE READ IN CONJUNCTION WITH ALL RELEVANT ARCHITECTURAL, STRUCTURAL, PLUMBING & FIRE FIGHTING, ELECTRICAL AND TRAFFIC MANAGEMENT DRAWINGS.

REVISION	DESCRIPTION	DRAWING NO.

REV.	DESCRIPTION	DATE	DRAWN BY	CHECKED BY
R0	ISSUED FIRST SUBMISSION OF TENDER DRAWINGS	27-03-2026	HL	RK

APPROVAL OF NMRC OFFICIALS

--	--	--	--	--	--	--	--	--	--

Certified that this document has been designed and checked in accordance with DDC Quality Assurance Plan.

Architecture Design In-charge/ Coordinator: _____
 Structure Design In-charge/ Coordinator: _____
 E&M Design In-charge/ Coordinator: _____

Authorized Signatory for DDC, NGNEDDC Project Manager: _____

DETAIL DESIGN CONSULTANT : **ayesa**
 Ayesa India Private Limited
 D 99, 3rd Floor, Sector 2, Noida -201301, Gautam Budh Nagar, Uttar Pradesh
 Tel.: +(91) 120 490 8800, Email: delhi@ayesa.com

TENDER DESIGN

NOIDA METRO RAIL CORPORATION LTD.
 Block-III, 3rd Floor, Ganga Shopping Complex, Sector-29, Noida -201301, District Gautam Budh Nagar, Uttar Pradesh, India

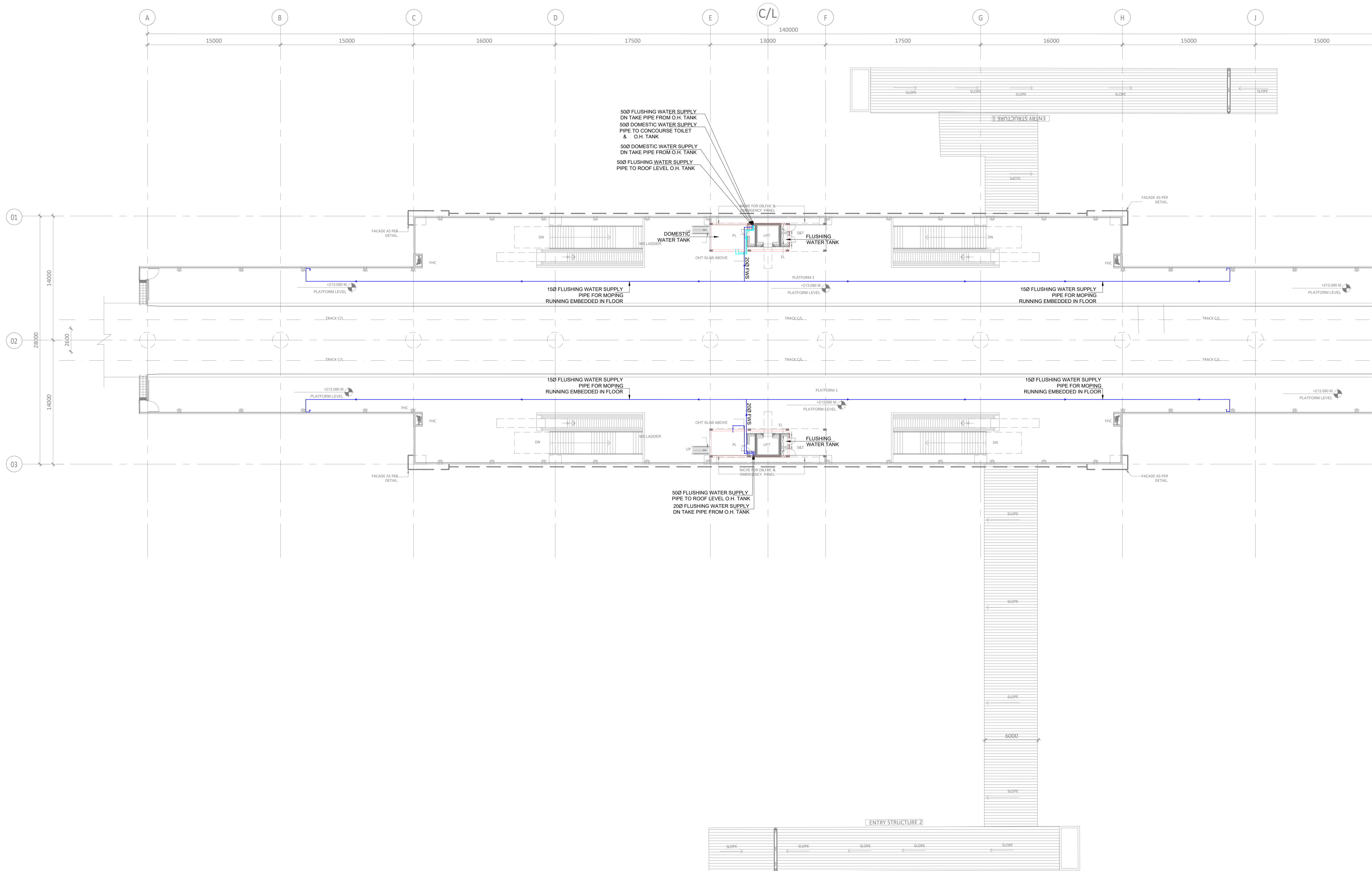
PROJECT: CONTRACT NO: NGNECC-01- Part Design & Construction of Elevated Viaduct and 10 nos. of Elevated Stations for Extension Projects of NMRC's Aqua Line from Botanical Garden to Noida Sec-142 (from Chainage (-) 383.959 to 12130.143) and from Depot Station to Boraki MMTH (Chainage 28678.253 to 31263.482)

STATION: NOIDA SECTOR 93 STATION

DRAWING TITLE: PLATFORM LEVEL PLAN-DRAINAGE LAYOUT

NORTH	DRAWN BY: HL	CHECKED BY: RK	VERIFIED BY: SJ	APPROVED BY: NG
	DATE: 27-03-2026	REV: R0	SCALE: 1:200	STATUS: TED
ORDER N°	DRAWING NUMBER: NGNE-S93-TED-PLB-14001	SHEET NO. 01 OF 01	SHEET SIZE A-1	

This drawing must not be either loaned, copied or otherwise reproduced in whole or in part or used for any purpose without the prior written permission of NMRC.



GENERAL NOTES

- ALL DIMENSIONS ARE IN MILLIMETER UNLESS MENTIONED.
- ALL DIMENSIONS ARE TO BE READ AND NOT MEASURED.
- ANY DISCREPANCY MUST BE BROUGHT TO THE NOTICE OF THE DMRC BEFORE EXECUTION OF WORK AT SITE.
- THIS DRAWING MUST BE READ IN CONJUNCTION WITH ALL RELEVANT ARCHITECTURAL, STRUCTURAL, PLUMBING & FIRE FIGHTING, ELECTRICAL AND TRAFFIC MANAGEMENT DRAWINGS.

REVISION	DESCRIPTION	DRAWING NO.

REV.	DESCRIPTION	DATE	DRAWN BY	CHECKED BY
R0	ISSUED FIRST SUBMISSION OF TENDER DRAWINGS	27-03-2026	HL	RK

APPROVAL OF NMRC OFFICIALS				

Certified that this document has been designed and checked in accordance with DDC Quality Assurance Plan.

Authorised Signatory for DDC.
NGNEDDC Project Manager

Architecture Design In-charge/ Coordinator	Structure Design In-charge/ Coordinator	E&M Design In-charge/ Coordinator
-----------------------------------------------	--------------------------------------------	--------------------------------------

DETAIL DESIGN CONSULTANT :

ayesa
Ayesa India Private Limited
D 99, 3rd Floor, Sector 2, Noida -201301, Gautam
Budh Nagar, Uttar Pradesh
Tel.: +(91) 120 490 8800, Email: delhi@ayesa.com

TENDER DESIGN

NOIDA METRO RAIL CORPORATION LTD.
Block-III, 3rd Floor, Ganga Shopping Complex, Sector-29, Noida -201301,
District Gautam Budh Nagar, Uttar Pradesh, India

PROJECT: CONTRACT NO: NGNECC-01- Part Design & Construction of Elevated Viaduct and 10 nos. of Elevated Stations for Extension Projects of NMRC's Aqua Line from Botanical Garden to Noida Sec-142 (from Chainage (-) 383.959 to 12130.143) and from Depot Station to Boraki MMTH (Chainage 28678.253 to 31263.482)

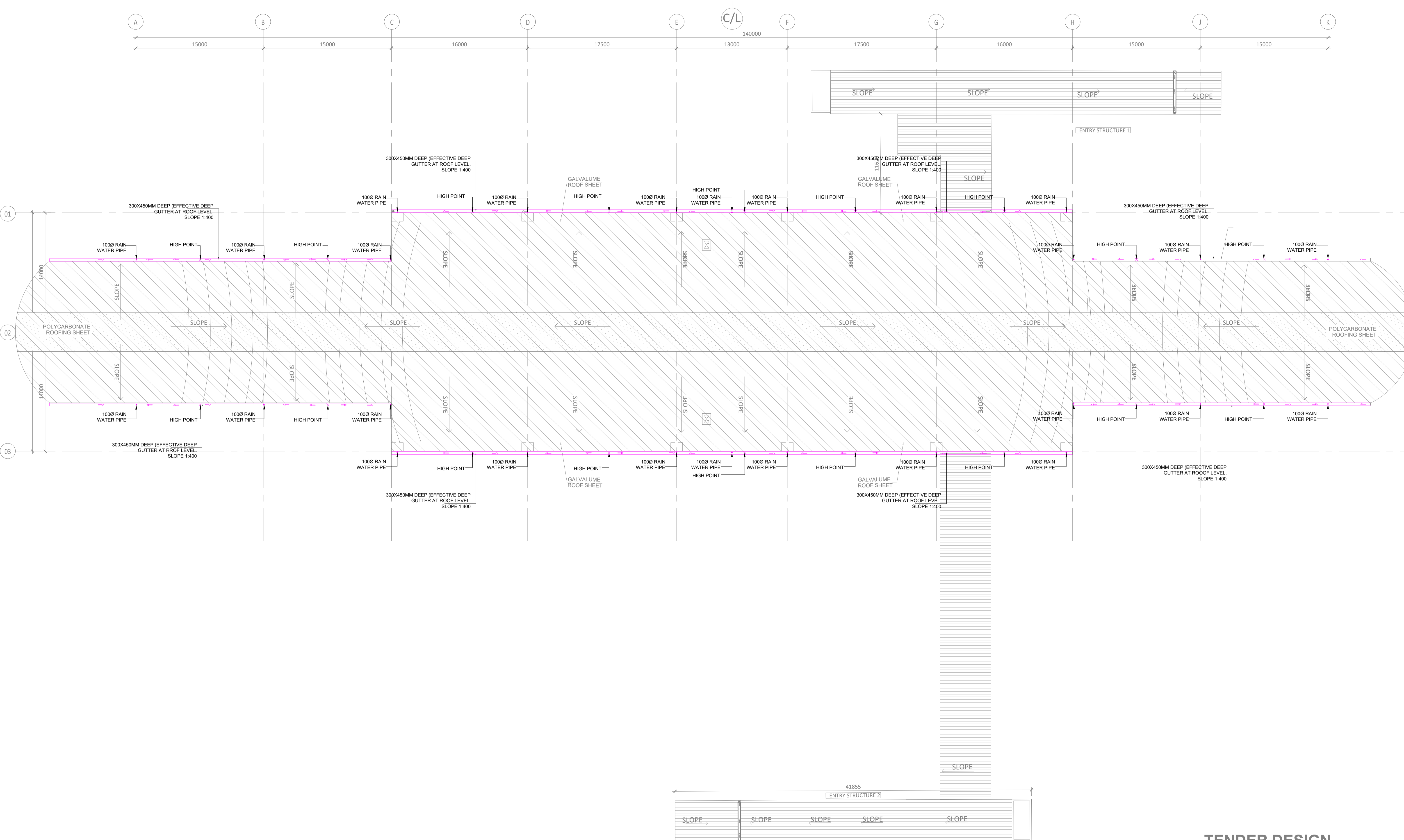
STATION: NOIDA SECTOR 93 STATION

DRAWING TITLE: PLATFORM LEVEL PLAN-WATER SUPPLY LAYOUT

NORTH	DRAWN BY: HL	CHECKED BY: RK	VERIFIED BY: SJ	APPROVED BY: NG
	DATE: 27-03-2026	REV: R0	SCALE: 1:200	STATUS: TED
ORDER N°	DRAWING NUMBER: NGNE-S93-TED-PLB-14002	SHEET NO. 01 OF 01	SHEET SIZE A-1	

NGNEDDC
PLUMBING

This drawing must not be either loaned, copied or otherwise reproduced in whole or in part or used for any purpose without the prior written permission of NMRC.



GENERAL NOTES:

- ALL DIMENSIONS ARE IN MILLIMETER UNLESS MENTIONED.
- ALL DIMENSIONS ARE TO BE READ AND NOT MEASURED.
- ANY DISCREPANCY MUST BE BROUGHT TO THE NOTICE OF THE DMRC BEFORE EXECUTION OF WORK AT SITE.
- THIS DRAWING MUST BE READ IN CONJUNCTION WITH ALL RELEVANT ARCHITECTURAL, STRUCTURAL, PLUMBING & FIRE FIGHTING, ELECTRICAL AND TRAFFIC MANAGEMENT DRAWINGS.

REVISION	DESCRIPTION	DRAWING NO.

REV.	DESCRIPTION	DATE	DRAWN BY	CHECKED BY
R0	ISSUED FIRST SUBMISSION OF TENDER DRAWINGS	27-03-2026	HL	RK

APPROVAL OF NMRC OFFICIALS				

Certified that this document has been designed and checked in accordance with DDC Quality Assurance Plan.

Architecture Design In-charge/ Coordinator Structure Design In-charge/ Coordinator E&M Design In-charge/ Coordinator

Authorised Signatory for DDC, NGNEDDC Project Manager

DETAIL DESIGN CONSULTANT :

ayesa

Ayesa India Private Limited
D 99, 3rd Floor, Sector 2, Noida -201301, Gautam Budh Nagar, Uttar Pradesh
Tel.: +(91) 120 490 8800, Email: delhi@ayesa.com

TENDER DESIGN

NOIDA METRO RAIL CORPORATION LTD.
Block-III, 3rd Floor, Ganga Shopping Complex, Sector-29, Noida -201301, District Gautam Budh Nagar, Uttar Pradesh, India

PROJECT: CONTRACT NO: NGNECC-01- Part Design & Construction of Elevated Viaduct and 10 nos. of Elevated Stations for Extension Projects of NMRC's Aqua Line from Botanical Garden to Noida Sec-142 (from Chainage (-) 383.959 to 12130.143) and from Depot Station to Boraki MMTH (Chainage 28678.253 to 31263.482)

STATION: NOIDA SECTOR 93 STATION

DRAWING TITLE: ROOF LEVEL PLAN-DRAINAGE LAYOUT

NORTH	DRAWN BY: HL	CHECKED BY: RK	VERIFIED BY: SJ	APPROVED BY: NG
	DATE: 27-03-2026	REV: R0	SCALE: 1:200	STATUS: TED
ORDER N°	DRAWING NUMBER: NGNE-S93-TED-PLB-15001	SHEET NO. 01 OF 01	SHEET SIZE A-1	

NGNEDDC
PLUMBING

This drawing must not be either loaned, copied or otherwise reproduced in whole or in part or used for any purpose without the prior written permission of NMRC.

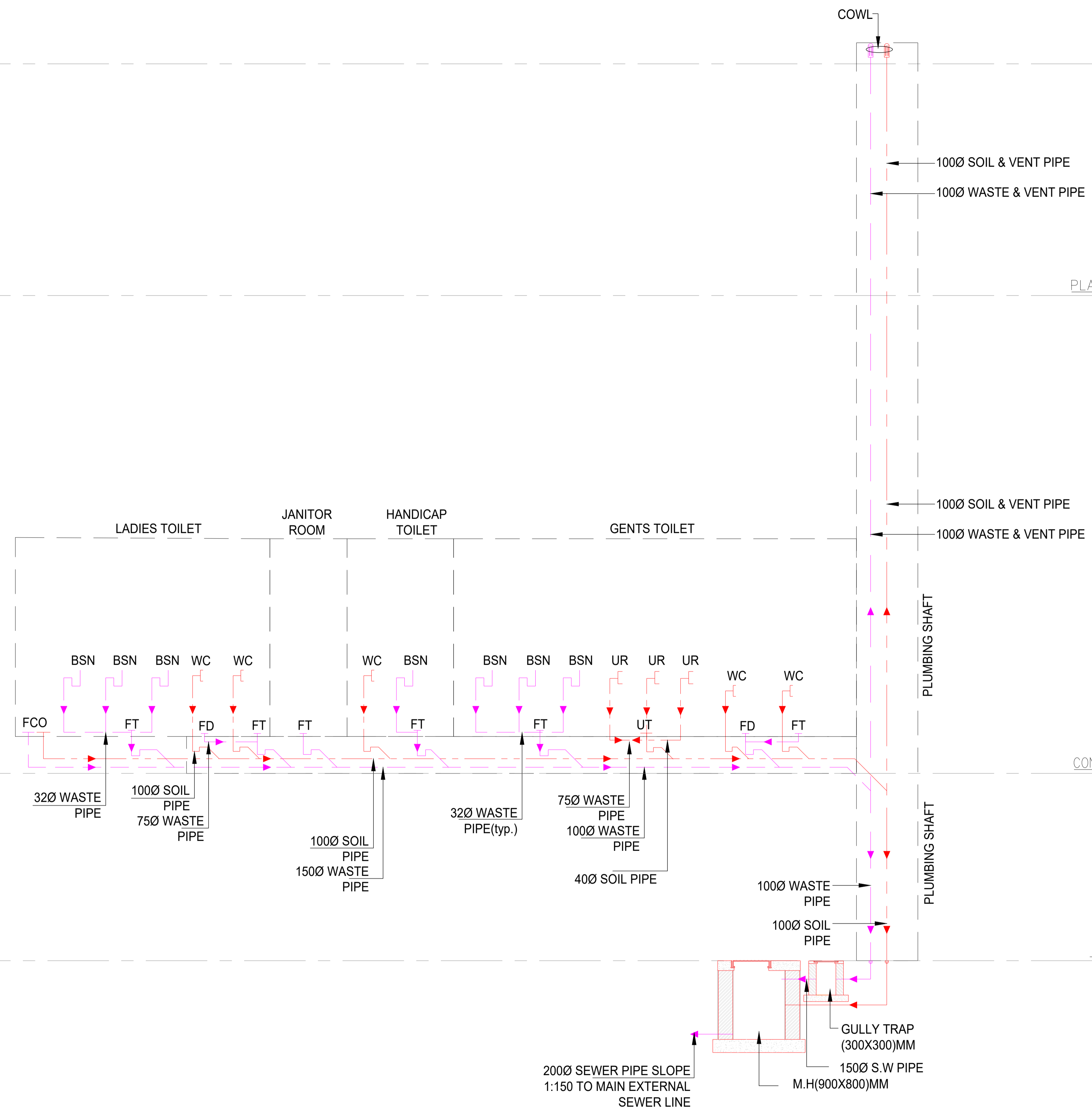
€ OF STATION

ROOF LEVEL

PLATFORM LEVEL

CONCOURSE LEVEL

GROUND LEVEL



LEGEND:-

FT - FLOOR TRAP	
FD - FLOOR DRAIN	
FCO - FLOOR CLEAN OUT	
WC - WATER CLOSED	
BSN - WASH BASIN	
UR - URINAL	
WASTE PIPE	
SOIL PIPE	

SCHEMATIC DIAGRAM FOR SEWAGE SYSTEM

TENDER DESIGN

NOIDA METRO RAIL CORPORATION LTD.
 Block-III, 3rd Floor, Ganga Shopping Complex, Sector-29, Noida -201301, District Gautam Budh Nagar, Uttar Pradesh, India

PROJECT: CONTRACT NO: NGNECC-01- Part Design & Construction of Elevated Viaduct and 10 nos. of Elevated Stations for Extension Projects of NMRC's Aqua Line from Botanical Garden to Noida Sec-142 (from Chainage (-) 383.959 to 12130.143) and from Depot Station to Boraki MMTH (Chainage 28678.253 to 31263.482)

STATION: NOIDA SECTOR 108 STATION

DRAWING TITLE: SCHEMATIC DIAGRAM FOR SEWAGE SYSTEM

NORTH	DRAWN BY: HL	CHECKED BY: RK	VERIFIED BY: SJ	APPROVED BY: NG
	DATE: 27-03-2026	REV: R0	SCALE: N.T.S.	STATUS: TED
ORDER N°	DRAWING NUMBER: NGNE-S108-TED-PLB-10005	SHEET NO. 01 OF 01	SHEET SIZE A-1	NGNEDDC PLUMBING

This drawing must not be either loaned, copied or otherwise reproduced in whole or in part or used for any purpose without the prior written permission of NMRC.

Certified that this document has been designed and checked in accordance with DDC Quality Assurance Plan.

Authorised Signatory for DDC, NGNEDDC Project Manager

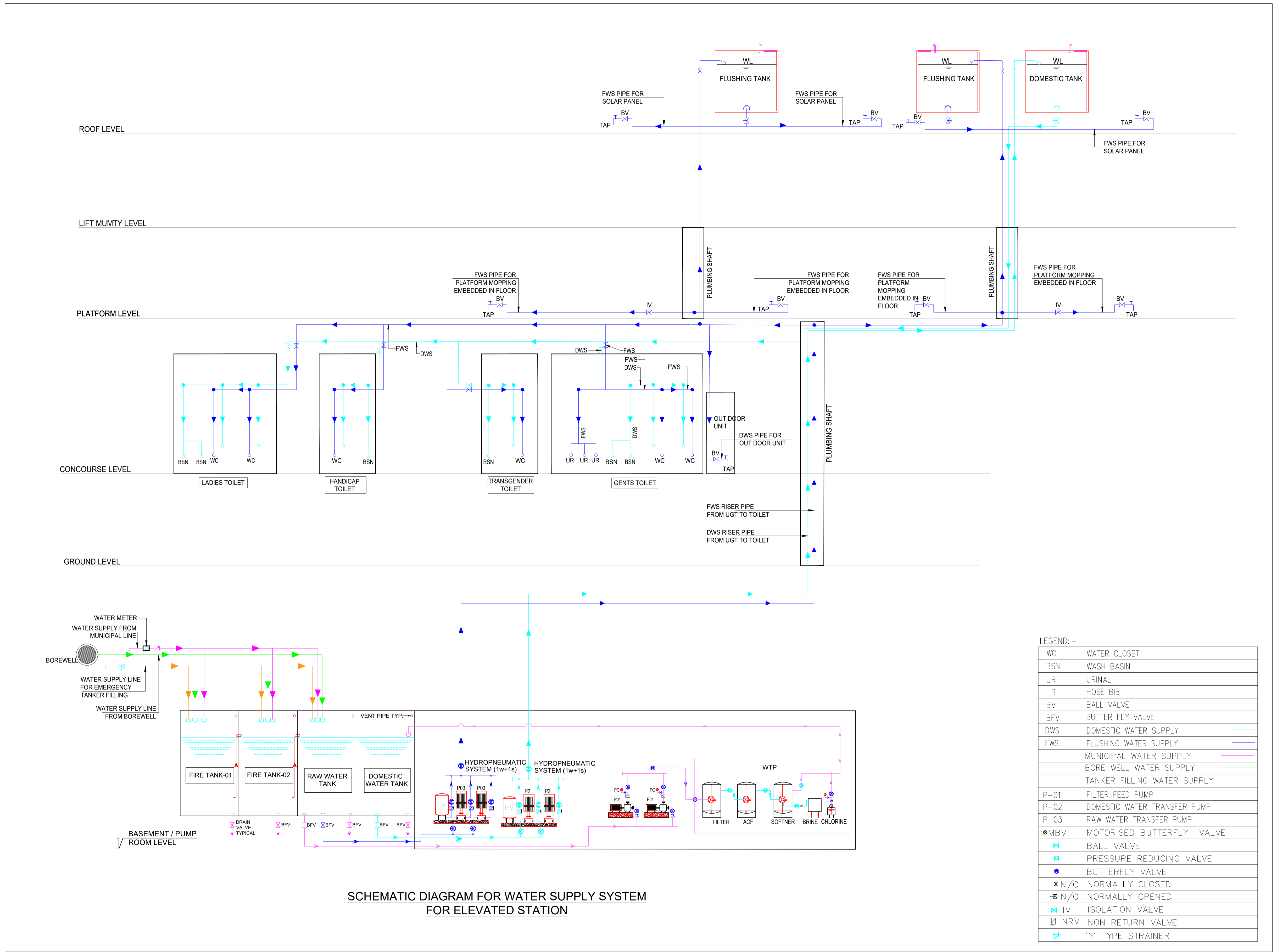
Architecture Design In-charge/ Coordinator	Structure Design In-charge/ Coordinator	E&M Design In-charge/ Coordinator
--------------------------------------------	-----------------------------------------	-----------------------------------

DETAIL DESIGN CONSULTANT :

ayesa

Ayesa India Private Limited
 D 99, 3rd Floor, Sector 2, Noida -201301, Gautam Budh Nagar, Uttar Pradesh
 Tel.: +(91) 120 490 8800, Email: delhi@ayesa.com

GENERAL NOTES				REVISIONS				APPROVAL OF NMRC OFFICIALS																															
1. ALL DIMENSIONS ARE IN MILLIMETER UNLESS MENTIONED. 2. ALL DIMENSIONS ARE TO BE READ AND NOT MEASURED. 3. ANY DISCREPANCY MUST BE BROUGHT TO THE NOTICE OF THE DMRC BEFORE EXECUTION OF WORK AT SITE. 4. THIS DRAWING MUST BE READ IN CONJUNCTION WITH ALL RELEVANT ARCHITECTURAL, STRUCTURAL, PLUMBING & FIRE FIGHTING, ELECTRICAL AND TRAFFIC MANAGEMENT DRAWINGS.				<table border="1"> <thead> <tr> <th>REV.</th> <th>DESCRIPTION</th> <th>DATE</th> <th>DRAWN BY</th> <th>CHECKED BY</th> </tr> </thead> <tbody> <tr> <td>R0</td> <td>ISSUED FIRST SUBMISSION OF TENDER DRAWINGS</td> <td>27-03-2026</td> <td>HL</td> <td>RK</td> </tr> </tbody> </table>				REV.	DESCRIPTION	DATE	DRAWN BY	CHECKED BY	R0	ISSUED FIRST SUBMISSION OF TENDER DRAWINGS	27-03-2026	HL	RK	<table border="1"> <thead> <tr> <th colspan="2">REFERENCE DRAWINGS</th> <th>DRAWING NO.</th> </tr> </thead> <tbody> <tr> <td>REVISION</td> <td>DESCRIPTION</td> <td>DRAWING NO.</td> </tr> <tr> <td> </td> <td> </td> <td> </td> </tr> <tr> <td> </td> <td> </td> <td> </td> </tr> <tr> <td> </td> <td> </td> <td> </td> </tr> <tr> <td> </td> <td> </td> <td> </td> </tr> </tbody> </table>				REFERENCE DRAWINGS		DRAWING NO.	REVISION	DESCRIPTION	DRAWING NO.												
REV.	DESCRIPTION	DATE	DRAWN BY	CHECKED BY																																			
R0	ISSUED FIRST SUBMISSION OF TENDER DRAWINGS	27-03-2026	HL	RK																																			
REFERENCE DRAWINGS		DRAWING NO.																																					
REVISION	DESCRIPTION	DRAWING NO.																																					



SCHEMATIC DIAGRAM FOR WATER SUPPLY SYSTEM FOR ELEVATED STATION

LEGEND: -

WC	WATER CLOSET
BSN	WASH BASIN
UR	URINAL
HB	HOSE BIB
BV	BALL VALVE
BFV	BUTTER FLY VALVE
DWS	DOMESTIC WATER SUPPLY
FWS	FLUSHING WATER SUPPLY
	MUNICIPAL WATER SUPPLY
	BORE WELL WATER SUPPLY
	TANKER FILLING WATER SUPPLY
P-01	FILTER FEED PUMP
P-02	DOMESTIC WATER TRANSFER PUMP
P-03	RAW WATER TRANSFER PUMP
MBV	MOTORIZED BUTTERFLY VALVE
BV	BALL VALVE
PRV	PRESSURE REDUCING VALVE
BV	BUTTERFLY VALVE
N/C	NORMALLY CLOSED
N/O	NORMALLY OPENED
IV	ISOLATION VALVE
NRV	NON RETURN VALVE
Y	'Y' TYPE STRAINER

TENDER DESIGN

NOIDA METRO RAIL CORPORATION LTD.
Block-III, 3rd Floor, Ganga Shopping Complex, Sector-29, Noida -201301, District Gautam Budh Nagar, Uttar Pradesh, India

PROJECT: CONTRACT NO: NGNECC-01- Part Design & Construction of Elevated Viaduct and 10 nos. of Elevated Stations for Extension Projects of NMR's Aqua Line from Botanical Garden to Noida Sec-142 (from Chainage (-) 383.959 to 12130.143) and from Depot Station to Boraki MMTH (Chainage 28678.253 to 31263.482)

STATION: NOIDA SECTOR 108 STATION

DRAWING TITLE: SCHEMATIC DIAGRAM FOR WATER SUPPLY SYSTEM

NORTH	DRAWN BY: <i>Handel</i>	CHECKED BY: <i>RK</i>	VERIFIED BY: <i>SJ</i>	APPROVED BY: <i>NG</i>
	DATE: 27-03-2026	REV: R0	SCALE: N.T.S.	STATUS: TED
ORDER N°	DRAWING NUMBER: NGNE-S108-TED-PLB-10006	SHEET NO. 01 OF 01	SHEET SIZE A-1	

NGNECC
PLUMBING

This drawing must not be either loaned, copied or otherwise reproduced in whole or in part or used for any purpose without the prior written permission of NMR.

Certified that this document has been designed and checked in accordance with DDC Quality Assurance Plan.

Authorised Signatory for DDC.
NGNECC Project Manager

Architecture Design In-charge/ Coordinator	Structure Design In-charge/ Coordinator	E&M Design In-charge/ Coordinator
-----------------------------------------------	--------------------------------------------	--------------------------------------

ayesa

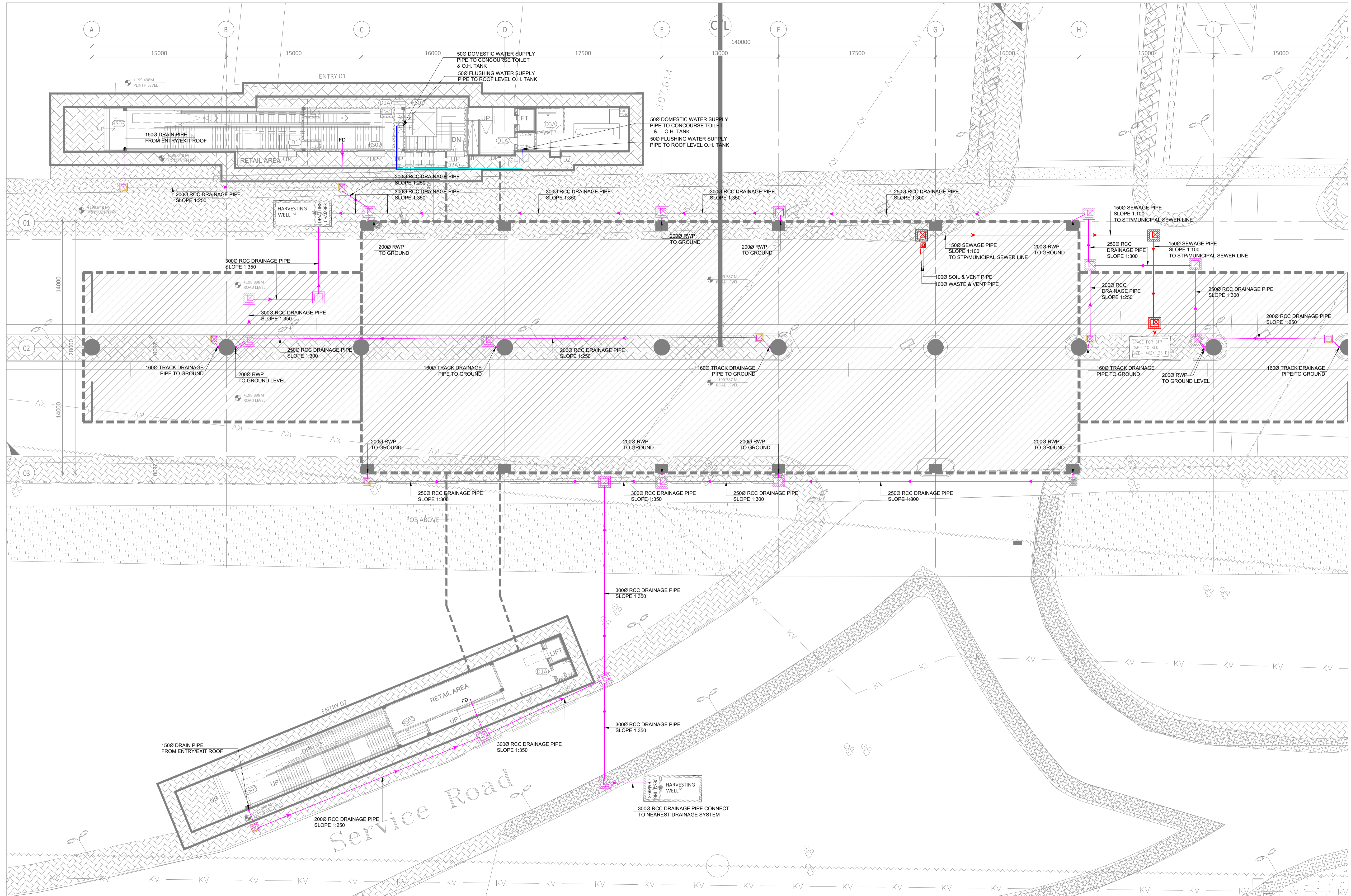
Ayesa India Private Limited
D 99, 3rd Floor, Sector 2, Noida -201301, Gautam
Budh Nagar, Uttar Pradesh
Tel.: +(91) 120 490 8800, Email: delhi@ayesa.com

GENERAL NOTES			
1. ALL DIMENSIONS ARE IN MILLIMETER UNLESS MENTIONED.			
2. ALL DIMENSIONS ARE TO BE READ AND NOT MEASURED.			
3. ANY DISCREPANCY MUST BE BROUGHT TO THE NOTICE OF THE DMRC BEFORE EXECUTION OF WORK AT SITE.			
4. THIS DRAWING MUST BE READ IN CONJUNCTION WITH ALL RELEVANT ARCHITECTURAL, STRUCTURAL, PLUMBING & FIRE FIGHTING, ELECTRICAL AND TRAFFIC MANAGEMENT DRAWINGS.			

REVISIONS				
REV.	DESCRIPTION	DATE	DRAWN BY	CHECKED BY
R0	ISSUED FIRST SUBMISSION OF TENDER DRAWINGS	27-03-2026	HL	RK

REFERENCE DRAWINGS		
REVISION	DESCRIPTION	DRAWING NO.

APPROVAL OF NMR OFFICIALS				
NO.	NAME	DESIGNATION	DATE	SIGNATURE



LEGENDS

SYMBOL	DESCRIPTION
FD	FLOOR DRAIN
SM	SEWER MANHOLE
DM	DRAINAGE MANHOLE
CB	CATCH BASIN

GENERAL NOTES

1. ALL DIMENSIONS ARE IN MILLIMETER UNLESS MENTIONED.
2. ALL DIMENSIONS ARE TO BE READ AND NOT MEASURED.
3. ANY DISCREPANCY MUST BE BROUGHT TO THE NOTICE OF THE DMRC BEFORE EXECUTION OF WORK AT SITE.
4. THIS DRAWING MUST BE READ IN CONJUNCTION WITH ALL RELEVANT ARCHITECTURAL, STRUCTURAL, PLUMBING & FIRE FIGHTING, ELECTRICAL AND TRAFFIC MANAGEMENT DRAWINGS.

REVISION	REFERENCE DRAWINGS	DESCRIPTION	DRAWING NO.

REV.	DESCRIPTION	DATE	DRAWN BY	CHECKED BY
R0	ISSUED FIRST SUBMISSION OF TENDER DRAWINGS	27-03-2026	HL	RK

APPROVAL OF NMRC OFFICIALS

--	--	--	--	--

Certified that this document has been designed and checked in accordance with DDC Quality Assurance Plan.

Authorised Signatory for DDC: NGNEDDC Project Manager

Architecture Design In-charge/ Coordinator	Structure Design In-charge/ Coordinator	E&M Design In-charge/ Coordinator
-----------------------------------------------	--------------------------------------------	--------------------------------------

DETAIL DESIGN CONSULTANT :

ayesa

Ayesa India Private Limited
D 99, 3rd Floor, Sector 2, Noida -201301, Gautam
Budh Nagar, Uttar Pradesh
Tel.: +(91) 120 490 8800, Email: delhi@ayesa.com

TENDER DESIGN

NOIDA METRO RAIL CORPORATION LTD.
Block-III, 3rd Floor, Ganga Shopping Complex, Sector-29, Noida -201301, District Gautam Budh Nagar, Uttar Pradesh, India

PROJECT: CONTRACT NO: NGNECC-01- Part Design & Construction of Elevated Viaduct and 10 nos. of Elevated Stations for Extension Projects of NMR's Aqua Line from Botanical Garden to Noida Sec-142 (from Chainage (-) 383.959 to 12130.143) and from Depot Station to Boraki MMTH (Chainage 28678.253 to 31263.482)

STATION: NOIDA SECTOR 108 STATION

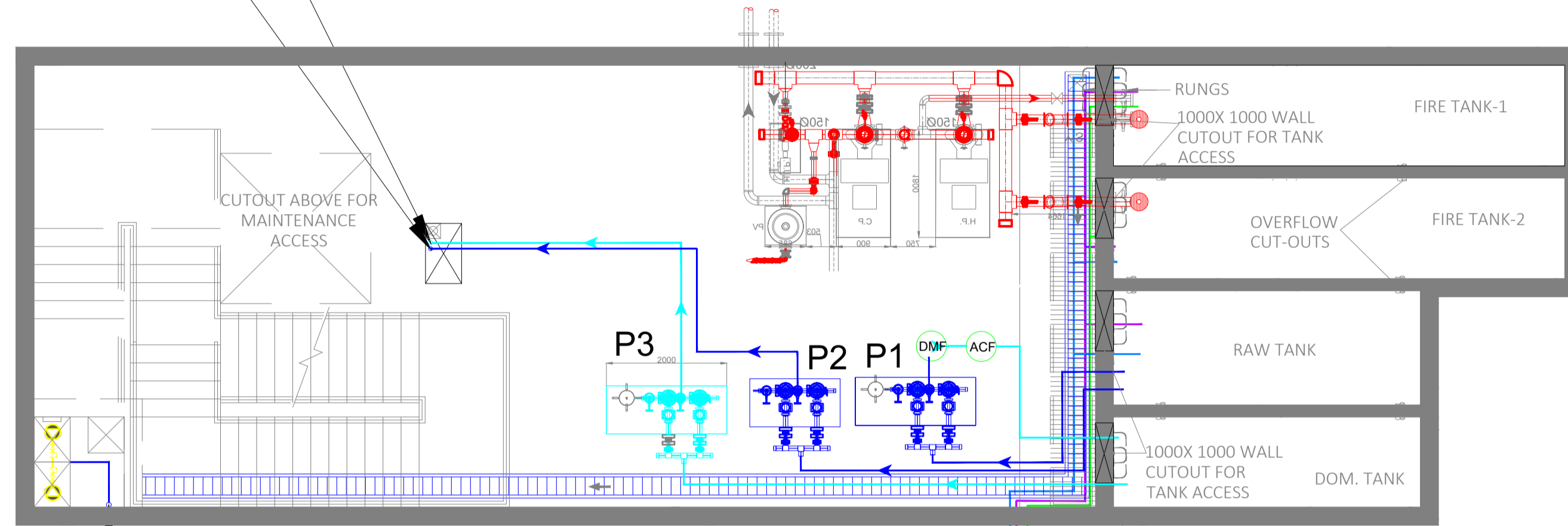
DRAWING TITLE: GROUND FLOOR PLAN - DRAINAGE & WATER SUPPLY LAYOUT

NORTH	DRAWN BY: HL	CHECKED BY: RK	VERIFIED BY: SJ	APPROVED BY: NG
	DATE: 27-03-2026	REV: R0	SCALE: 1:200	STATUS: TED
ORDER N°	DRAWING NUMBER: NGNE-S108-TED-PLB-11001	SHEET NO: 01 OF 01	SHEET SIZE: A-1	

NGNEDDC PLUMBING

This drawing must not be either loaned, copied or otherwise reproduced in whole or in part or used for any purpose without the prior written permission of NMRC.

50Ø DOMESTIC WATER SUPPLY PIPE TO CONCOURSE TOILET & O.H. TANK
 50Ø FLUSHING WATER SUPPLY PIPE TO ROOF LEVEL O.H. TANK



80Ø SUMP RISER PIPE TO EXTERNAL CATCH BASIN
 80Ø TANKER SUPPLY
 80Ø MUNICIPAL WATER SUPPLY
 80Ø BORE WELL WATER SUPPLY
WATER TANKS & PUMP ROOM AT BASEMENT LEVEL

LEGEND:-

S.NO.	SYMBOL	DESCRIPTION
1		BUTTERFLY VALVE
2		NON RETURN VALVE
3		FLUSHING WATER SUPPLY LINE
4		DOMESTIC WATER SUPPLY LINE
5		DUAL MEDIA FILTER
6		ACTIVATE CARBON FILTER

SIZE OF FOUNDATION OF PUMPS		
ITEM	PUMPS	DRIVE
P1	RAW WATER FILTRATION PUMP	ELECTRIC
P2	RAW WATER TRANSFER PUMP	ELECTRIC
P3	DOMESTIC WATER TRANSFER PUMP	ELECTRIC

TENDER DESIGN

NOIDA METRO RAIL CORPORATION LTD.
 Block-III, 3rd Floor, Ganga Shopping Complex, Sector-29, Noida -201301,
 District Gautam Budh Nagar, Uttar Pradesh, India

PROJECT: CONTRACT NO: NGNECC-01- Part Design & Construction of Elevated Viaduct and 10 nos. of Elevated Stations for Extension Projects of NMRC's Aqua Line from Botanical Garden to Noida Sec-142 (from Chainage (-) 383.959 to 12130.143) and from Depot Station to Boraki MMTH (Chainage 28678.253 to 31263.482)

STATION: NOIDA SECTOR 108 STATION

DRAWING TITLE: PUMP ROOM-PLUMBING LAYOUT

NORTH 	DRAWN BY: HL	CHECKED BY: RK	VERIFIED BY: SJ	APPROVED BY: NG
	DATE: 27-03-2026	REV: R0	SCALE: 1:75	STATUS: TED
ORDER N°	DRAWING NUMBER: NGNE-S108-TED-PLB-12001		SHEET NO. 01 OF 01	SHEET SIZE A-1

This drawing must not be either loaned, copied or otherwise reproduced in whole or in part or used for any purpose without the prior written permission of NMRC.

GENERAL NOTES:

- ALL DIMENSIONS ARE IN MILLIMETER UNLESS MENTIONED.
- ALL DIMENSIONS ARE TO BE READ AND NOT MEASURED.
- ANY DISCREPANCY MUST BE BROUGHT TO THE NOTICE OF THE NMRC BEFORE EXECUTION OF WORK AT SITE.
- THIS DRAWING MUST BE READ IN CONJUNCTION WITH ALL RELEVANT ARCHITECTURAL, STRUCTURAL, PLUMBING & FIRE FIGHTING, ELECTRICAL AND TRAFFIC MANAGEMENT DRAWINGS.

REVISION	DESCRIPTION	DRAWING NO.
R0	ISSUED FIRST SUBMISSION OF TENDER DRAWINGS	

REV.	DESCRIPTION	DATE	DRAWN BY	CHECKED BY
R0	ISSUED FIRST SUBMISSION OF TENDER DRAWINGS	27-03-2026	HL	RK

APPROVAL OF NMRC OFFICIALS				

Certified that this document has been designed and checked in accordance with DDC Quality Assurance Plan.

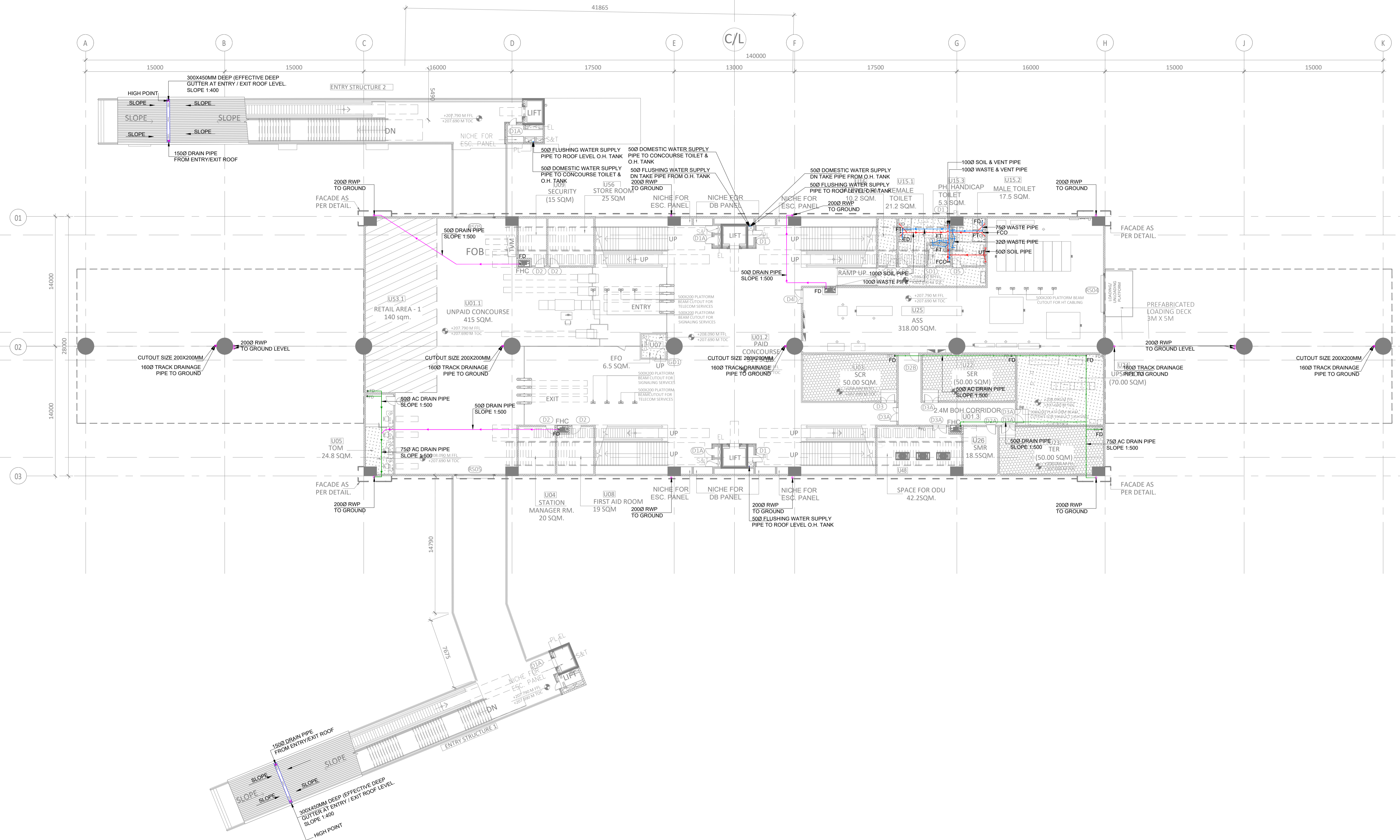
Authorised Signatory for DDC.
 NGNEDDC Project Manager

Architecture Design In-charge/ Coordinator	Structure Design In-charge/ Coordinator	E&M Design In-charge/ Coordinator
-----------------------------------------------	--------------------------------------------	--------------------------------------

DETAIL DESIGN CONSULTANT :

ayesa
 Ayesa India Private Limited
 D 99, 3rd Floor, Sector 2, Noida -201301, Gautam
 Budh Nagar, Uttar Pradesh
 Tel.: +(91) 120 490 8800, Email: delhi@ayesa.com

THIS DRAWING IS THE PROPERTY OF NDMRA METRO RAIL CORPORATION LTD.



GENERAL NOTES

1. ALL DIMENSIONS ARE IN MILLIMETER UNLESS MENTIONED.
2. ALL DIMENSIONS ARE TO BE READ AND NOT MEASURED.
3. ANY DISCREPANCY MUST BE BROUGHT TO THE NOTICE OF THE DMRC BEFORE EXECUTION OF WORK AT SITE.
4. THIS DRAWING MUST BE READ IN CONJUNCTION WITH ALL RELEVANT ARCHITECTURAL, STRUCTURAL, PLUMBING & FIRE FIGHTING, ELECTRICAL AND TRAFFIC MANAGEMENT DRAWINGS.

REVISION	DESCRIPTION	DRAWING NO.

REV.	DESCRIPTION	DATE	DRAWN BY	CHECKED BY
R0	ISSUED FIRST SUBMISSION OF TENDER DRAWINGS	27-03-2026	HL	RK

APPROVAL OF NMRC OFFICIALS

Certified that this document has been designed and checked in accordance with DDC Quality Assurance Plan.

Authorised Signatory for DDC:
 NGNEDDC Project Manager

Architecture Design In-charge/ Coordinator
 Structure Design In-charge/ Coordinator
 E&M Design In-charge/ Coordinator

DETAIL DESIGN CONSULTANT :

ayesa
 Ayesa India Private Limited
 D 99, 3rd Floor, Sector 2, Noida -201301, Gautam Budh Nagar, Uttar Pradesh
 Tel.: +(91) 120 490 8800, Email: delhi@ayesa.com

TENDER DESIGN

NOIDA METRO RAIL CORPORATION LTD.
 Block-III, 3rd Floor, Ganga Shopping Complex, Sector-29, Noida -201301, District Gautam Budh Nagar, Uttar Pradesh, India

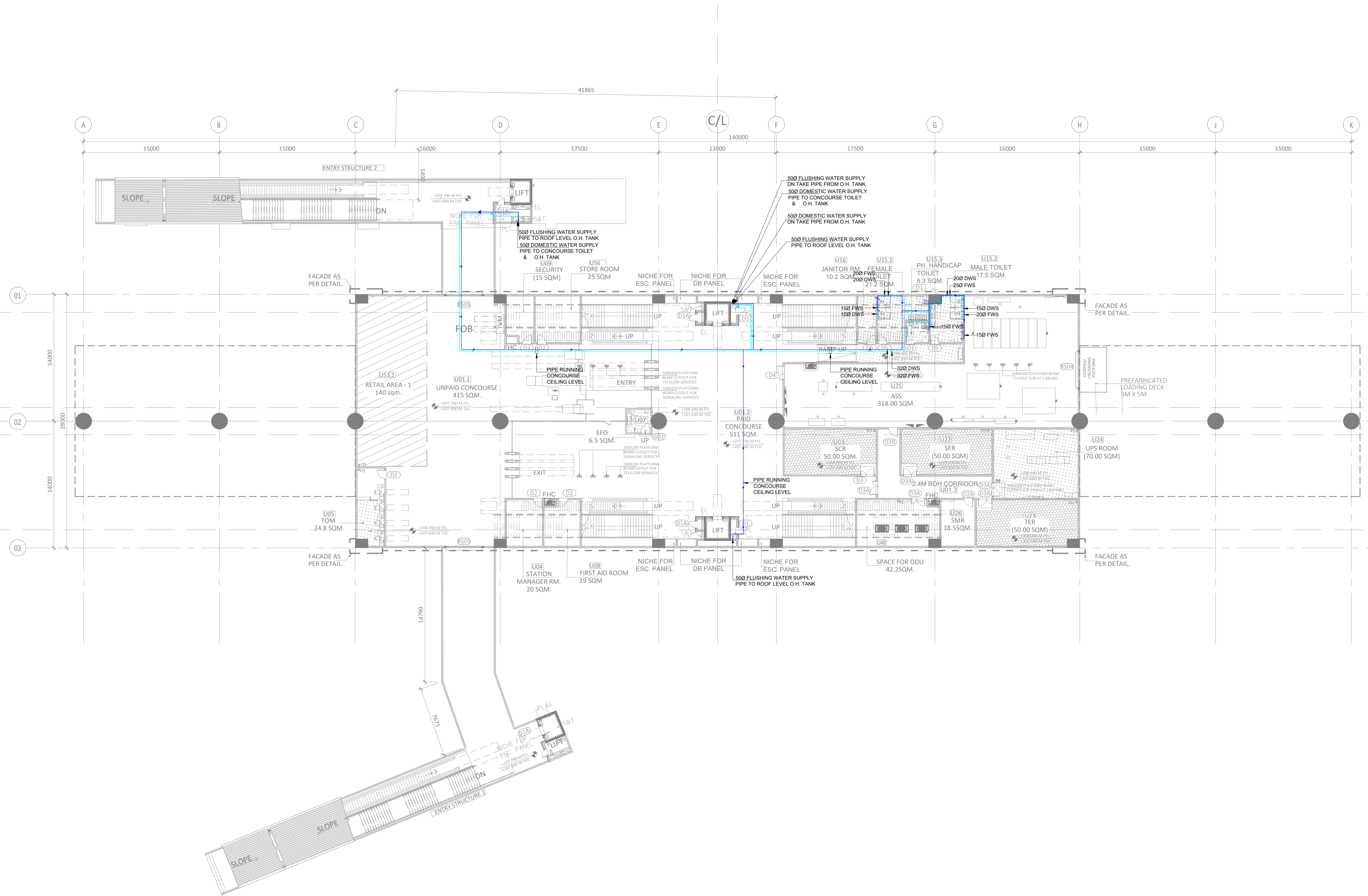
PROJECT: CONTRACT NO: NGNECC-01- Part Design & Construction of Elevated Viaduct and 10 nos. of Elevated Stations for Extension Projects of NMRC's Aqua Line from Botanical Garden to Noida Sec-142 (from Chainage (-) 383.959 to 12130.143) and from Depot Station to Boraki MMTH (Chainage 28678.253 to 31263.482)

STATION: NOIDA SECTOR 108 STATION

DRAWING TITLE: CONCOURSE LEVEL PLAN -DRAINAGE LAYOUT

NORTH	DRAWN BY: HL	CHECKED BY: RK	VERIFIED BY: SJ	APPROVED BY: NG
	DATE: 27-03-2026	REV: RO	SCALE: 1:200	STATUS: TED
ORDER N°	DRAWING NUMBER: NGNE-S108-TED-PLB-13001	SHEET NO. 01 OF 01	SHEET SIZE A-1	

This drawing must not be either loaned, copied or otherwise reproduced in whole or in part or used for any purpose without the prior written permission of NMRC.



GENERAL NOTES:

1. ALL DIMENSIONS ARE IN MILLIMETER UNLESS MENTIONED.
2. ALL DIMENSIONS ARE TO BE READ AND NOT MEASURED.
3. ANY DISCREPANCY MUST BE BROUGHT TO THE NOTICE OF THE DMRC BEFORE EXECUTION OF WORK AT SITE.
4. THIS DRAWING MUST BE READ IN CONJUNCTION WITH ALL RELEVANT ARCHITECTURAL, STRUCTURAL, PLUMBING & FIRE FIGHTING, ELECTRICAL AND TRAFFIC MANAGEMENT DRAWINGS.

REVISION	DESCRIPTION	DRAWING NO.

REV.	DESCRIPTION	DATE	DRAWN BY	CHECKED BY
R0	ISSUED FIRST SUBMISSION OF TENDER DRAWINGS	27-03-2026	HL	RK

APPROVAL OF NMRC OFFICIALS

Certified that this document has been designed and checked in accordance with DDC Quality Assurance Plan.

Authorised Signatory for DDC: NGNEDDC Project Manager

Architecture Design In-charge/ Coordinator Structure Design In-charge/ Coordinator E&M Design In-charge/ Coordinator

DETAIL DESIGN CONSULTANT :

ayesa

Ayesa India Private Limited
D 99, 3rd Floor, Sector 2, Noida -201301, Gautam Budh Nagar, Uttar Pradesh
Tel.: +(91) 120 490 8800, Email: delhi@ayesa.com

TENDER DESIGN

NOIDA METRO RAIL CORPORATION LTD.
Block-III, 3rd Floor, Ganga Shopping Complex, Sector-29, Noida -201301, District Gautam Budh Nagar, Uttar Pradesh, India

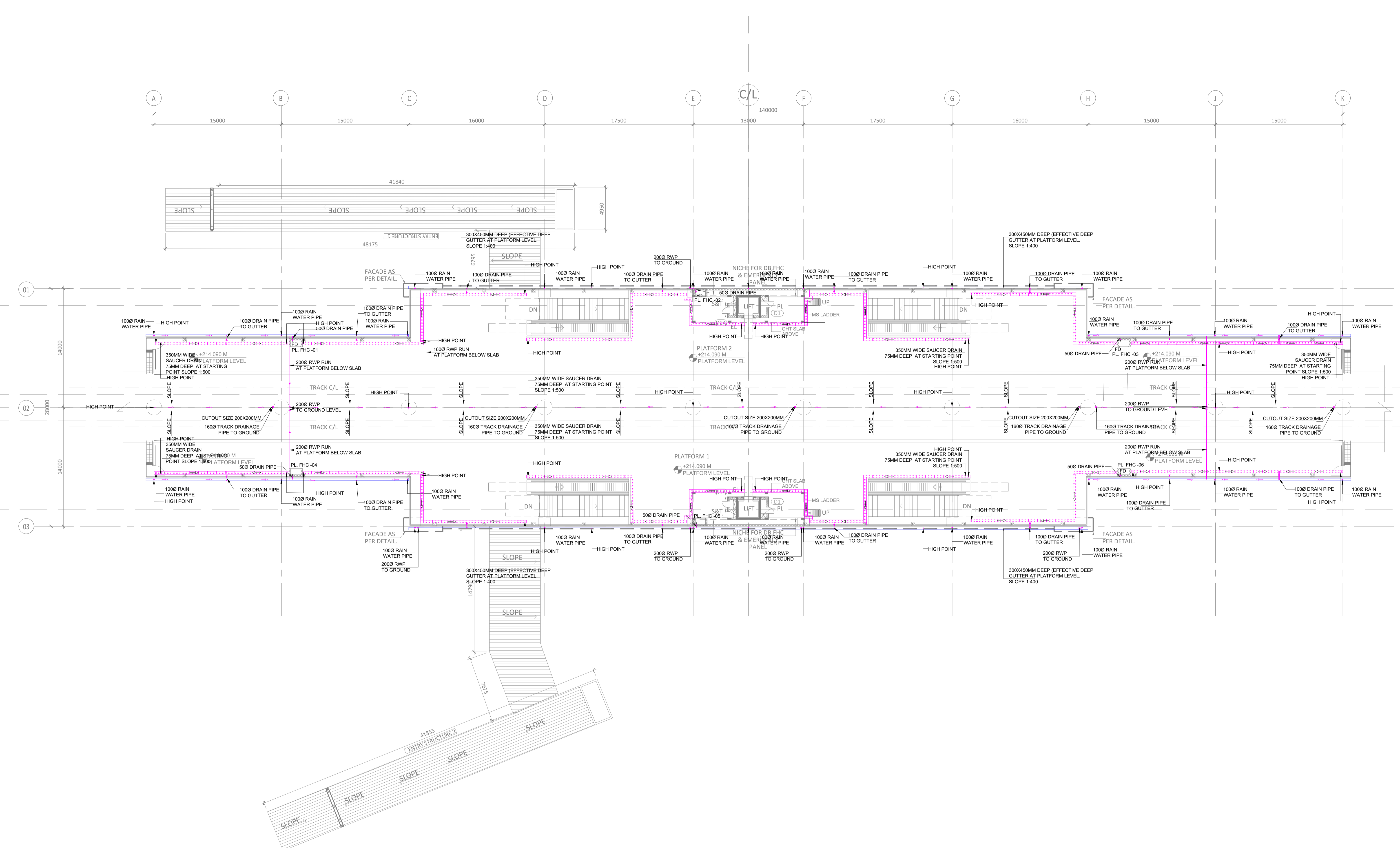
PROJECT: CONTRACT NO: NGNECC-01- Part Design & Construction of Elevated Viaduct and 10 nos. of Elevated Stations for Extension Projects of NMRC's Aqua Line from Botanical Garden to Noida Sec-142 (from Chainage (+) 383.959 to 12130.143) and from Depot Station to Boraki MMTH (Chainage 28678.253 to 31263.482)

STATION: NOIDA SECTOR 108 STATION

DRAWING TITLE: CONCOURSE LEVEL PLAN -WATER SUPPLY LAYOUT

NORTH	DRAWN BY: HL	CHECKED BY: RK	VERIFIED BY: SJ	APPROVED BY: NG
	DATE: 27-03-2026	REV: R0	SCALE: 1:200	STATUS: TED
ORDER N°	DRAWING NUMBER: NGNE-S108-TED-PLB-13002	SHEET NO. 01 OF 01	SHEET SIZE A-1	

This drawing must not be either loaned, copied or otherwise reproduced in whole or in part or used for any purpose without the prior written permission of NMRC.



GENERAL NOTES

1. ALL DIMENSIONS ARE IN MILLIMETER UNLESS MENTIONED.
2. ALL DIMENSIONS ARE TO BE READ AND NOT MEASURED.
3. ANY DISCREPANCY MUST BE BROUGHT TO THE NOTICE OF THE DMRC BEFORE EXECUTION OF WORK AT SITE.
4. THIS DRAWING MUST BE READ IN CONJUNCTION WITH ALL RELEVANT ARCHITECTURAL, STRUCTURAL, PLUMBING & FIRE FIGHTING, ELECTRICAL AND TRAFFIC MANAGEMENT DRAWINGS.

REVISION	REFERENCE DRAWINGS	DRAWING NO.

REV.	DESCRIPTION	DATE	DRAWN BY	CHECKED BY
R0	ISSUED FIRST SUBMISSION OF TENDER DRAWINGS	27-03-2026	HL	RK

APPROVAL OF NMRC OFFICIALS

Certified that this document has been designed and checked in accordance with DDC Quality Assurance Plan.

Architecture Design In-charge/ Coordinator: _____
 Structure Design In-charge/ Coordinator: _____
 E&M Design In-charge/ Coordinator: _____

Authorised Signatory for DDC: _____
 NGNEDDC Project Manager

DETAIL DESIGN CONSULTANT : **ayesa**
 Ayesa India Private Limited
 D 99, 3rd Floor, Sector 2, Noida -201301, Gautam Budh Nagar, Uttar Pradesh
 Tel.: +(91) 120 490 8800, Email: delhi@ayesa.com

TENDER DESIGN

NOIDA METRO RAIL CORPORATION LTD.
 Block-III, 3rd Floor, Ganga Shopping Complex, Sector-29, Noida -201301, District Gautam Budh Nagar, Uttar Pradesh, India

PROJECT: CONTRACT NO: NGNECC-01- Part Design & Construction of Elevated Viaduct and 10 nos. of Elevated Stations for Extension Projects of NMRC's Aqua Line from Botanical Garden to Noida Sec-142 (from Chainage (-) 383.959 to 12130.143) and from Depot Station to Boraki MMTH (Chainage 28678.253 to 31263.482)

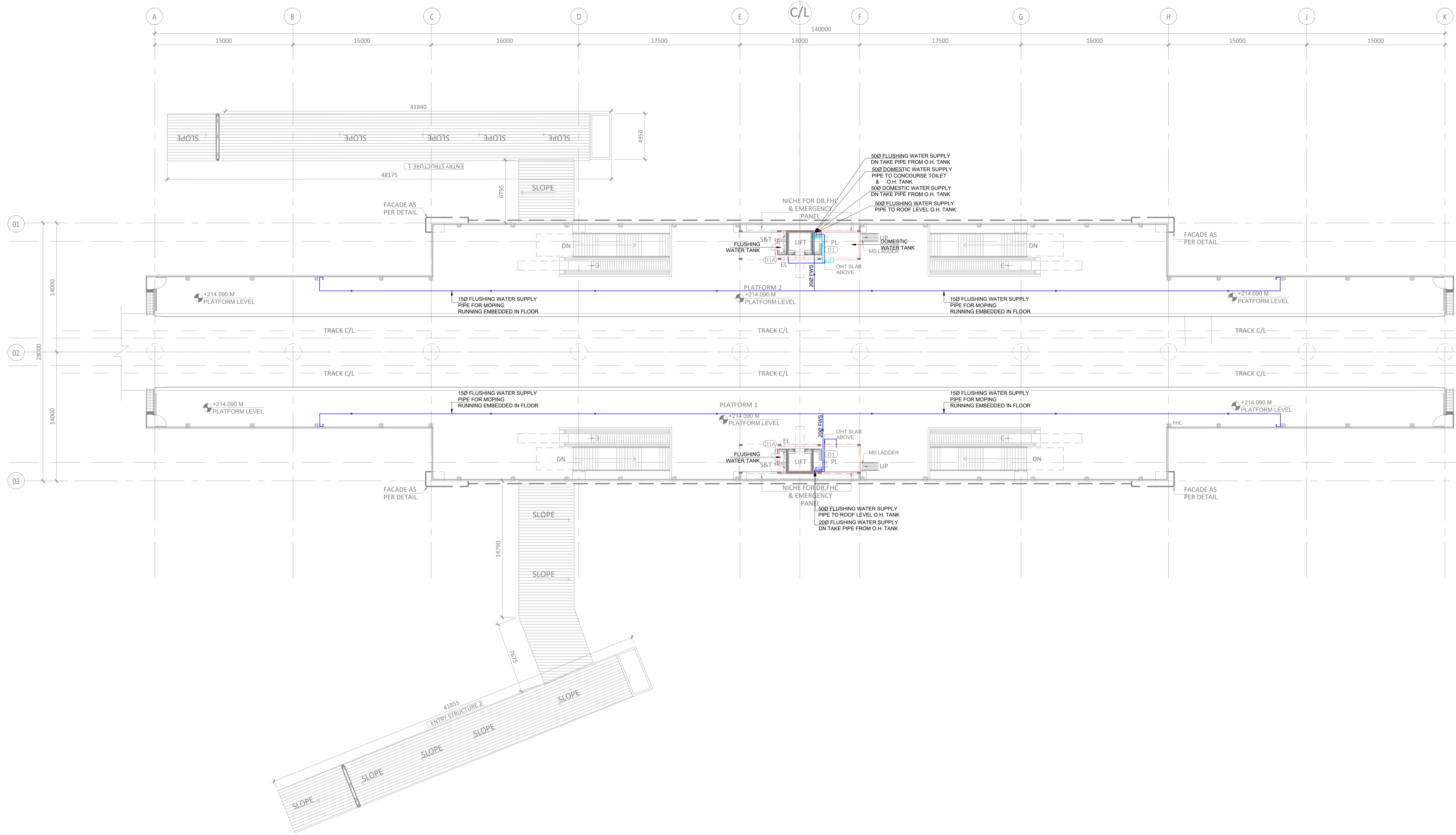
STATION: NOIDA SECTOR 108 STATION

DRAWING TITLE: PLATFORM LEVEL PLAN-DRAINAGE LAYOUT

NORTH	DRAWN BY: HL	CHECKED BY: RK	VERIFIED BY: SJ	APPROVED BY: NG
	DATE: 27-03-2026	REV: R0	SCALE: 1:200	STATUS: TED
ORDER N°	DRAWING NUMBER: NGNE-S108-TED-PLB-14001	SHEET NO. 01 OF 01	SHEET SIZE A-1	

NGNEDDC PLUMBING

This drawing must not be either loaned, copied or otherwise reproduced in whole or in part or used for any purpose without the prior written permission of NMRC.



GENERAL NOTES

- ALL DIMENSIONS ARE IN MILLIMETER UNLESS MENTIONED.
- ALL DIMENSIONS ARE TO BE READ AND NOT MEASURED.
- ANY DISCREPANCY MUST BE BROUGHT TO THE NOTICE OF THE DMRC BEFORE EXECUTION OF WORK AT SITE.
- THIS DRAWING MUST BE READ IN CONJUNCTION WITH ALL RELEVANT ARCHITECTURAL, STRUCTURAL, PLUMBING & FIRE FIGHTING, ELECTRICAL AND TRAFFIC MANAGEMENT DRAWINGS.

REVISION	DESCRIPTION	DRAWING NO.

REVISIONS				
REV.	DESCRIPTION	DATE	DRAWN BY	CHECKED BY
R0	ISSUED FIRST SUBMISSION OF TENDER DRAWINGS	27-03-2026	HL	RK

APPROVAL OF NMRC OFFICIALS				

Certified that this document has been designed and checked in accordance with DDC Quality Assurance Plan.

Authorised Signatory for DDC.
NGNEDDC Project Manager

Architecture Design In-charge/ Coordinator	Structure Design In-charge/ Coordinator	E&M Design In-charge/ Coordinator
-----------------------------------------------	--------------------------------------------	--------------------------------------

DETAIL DESIGN CONSULTANT :

ayesa
Ayesa India Private Limited
D 99, 3rd Floor, Sector 2, Noida -201301, Gautam
Budh Nagar, Uttar Pradesh
Tel.: +(91) 120 490 8800, Email: delhi@ayesa.com

TENDER DESIGN

NOIDA METRO RAIL CORPORATION LTD.
Block-III, 3rd Floor, Ganga Shopping Complex, Sector-29, Noida -201301,
District Gautam Budh Nagar, Uttar Pradesh, India

PROJECT: CONTRACT NO: NGNECC-01- Part Design & Construction of Elevated Viaduct and 10 nos. of Elevated Stations for Extension Projects of NMRC's Aqua Line from Botanical Garden to Noida Sec-142 (from Chainage (-) 383.959 to 12130.143) and from Depot Station to Boraki MMTH (Chainage 28678.253 to 31263.482)

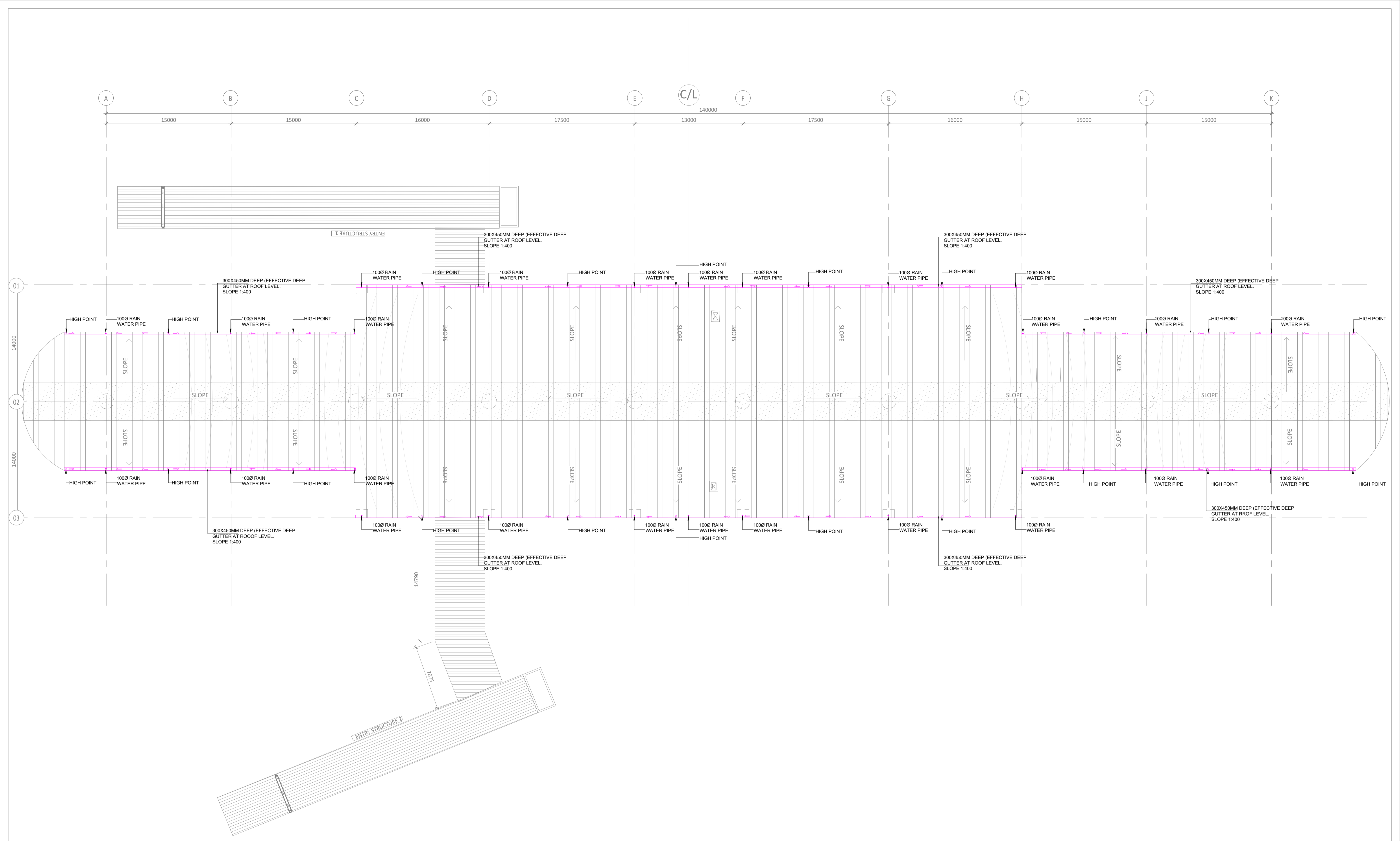
STATION: NOIDA SECTOR 108 STATION

DRAWING TITLE: PLATFORM LEVEL PLAN-WATER SUPPLY LAYOUT

NORTH	DRAWN BY: HL	CHECKED BY: RK	VERIFIED BY: SJ	APPROVED BY: NG
	DATE: 27-03-2026	REV: R0	SCALE: 1:200	STATUS: TED
ORDER N°	DRAWING NUMBER: NGNE-S108-TED-PLB-14002	SHEET NO. 01 OF 01	SHEET SIZE A-1	

NGNEDDC
PLUMBING

This drawing must not be either loaned, copied or otherwise reproduced in whole or in part or used for any purpose without the prior written permission of NMRC.



GENERAL NOTES:

1. ALL DIMENSIONS ARE IN MILLIMETER UNLESS MENTIONED.
2. ALL DIMENSIONS ARE TO BE READ AND NOT MEASURED.
3. ANY DISCREPANCY MUST BE BROUGHT TO THE NOTICE OF THE DMRC BEFORE EXECUTION OF WORK AT SITE.
4. THIS DRAWING MUST BE READ IN CONJUNCTION WITH ALL RELEVANT ARCHITECTURAL, STRUCTURAL, PLUMBING & FIRE FIGHTING, ELECTRICAL AND TRAFFIC MANAGEMENT DRAWINGS.

REVISION	DESCRIPTION	DRAWING NO.

REV.	DESCRIPTION	DATE	DRAWN BY	CHECKED BY
R0	ISSUED FIRST SUBMISSION OF TENDER DRAWINGS	27-03-2026	HL	RK

APPROVAL OF NMRC OFFICIALS				

Certified that this document has been designed and checked in accordance with DDC Quality Assurance Plan.

Authorised Signatory for DDC.
NGNEDDC Project Manager

Architecture Design In-charge/ Coordinator	Structure Design In-charge/ Coordinator	E&M Design In-charge/ Coordinator
-----------------------------------------------	--------------------------------------------	--------------------------------------

DETAIL DESIGN CONSULTANT :

ayesa

Ayesa India Private Limited
D 99, 3rd Floor, Sector 2, Noida -201301, Gautam
Budh Nagar, Uttar Pradesh
Tel.: +(91) 120 490 8800, Email: delhi@ayesa.com

TENDER DESIGN

NOIDA METRO RAIL CORPORATION LTD.
Block-III, 3rd Floor, Ganga Shopping Complex, Sector-29, Noida -201301,
District Gautam Budh Nagar, Uttar Pradesh, India

PROJECT: CONTRACT NO: NGNECC-01- Part Design & Construction of Elevated Viaduct and 10 nos. of Elevated Stations for Extension Projects of NMRC's Aqua Line from Botanical Garden to Noida Sec-142 (from Chainage (-) 383.959 to 12130.143) and from Depot Station to Boraki MMTH (Chainage 28678.253 to 31263.482)

STATION: **NOIDA SECTOR 108 STATION**

DRAWING TITLE: **ROOF LEVEL PLAN-DRAINAGE LAYOUT**

NORTH	DRAWN BY: HL	CHECKED BY: RK	VERIFIED BY: SJ	APPROVED BY: NG
	DATE: 27-03-2026	REV: R0	SCALE: 1:200	STATUS: TED
ORDER N°	DRAWING NUMBER: NGNE-S108-TED-PLB-15001	SHEET NO. 01 OF 01	SHEET SIZE A-1	


NGNEDDC
PLUMBING

This drawing must not be either loaned, copied or otherwise reproduced in whole or in part or used for any purpose without the prior written permission of NMRC.

LIST OF PLUMBING DRAWINGS

S.NO.	DRAWING NO.	DRAWING TITLE	SHEET	REV.
01	NGNE-S108-TED-PLB-10001	LIST OF PLUMBING DRAWINGS	1 OF 1	R0
02	NGNE-S108-TED-PLB-10002	TYPICAL DETAIL & SECTION -PLUMBING LAYOUT	1 OF 1	R0
03	NGNE-S108-TED-PLB-10003	TOILET DETAIL-PLUMBING LAYOUT	1 OF 1	R0
04	NGNE-S108-TED-PLB-10004	SCHEMATIC DIAGRAM FOR DRAINAGE SYSTEM	1 OF 1	R0
05	NGNE-S108-TED-PLB-10005	SCHEMATIC DIAGRAM FOR SEWAGE SYSTEM	1 OF 1	R0
06	NGNE-S108-TED-PLB-10006	SCHEMATIC DIAGRAM FOR WATER SUPPLY SYSTEM	1 OF 1	R0
07	NGNE-S108-TED-PLB-11001	GROUND FLOOR PLAN - DRAINAGE & WATER SUPPLY LAYOUT	1 OF 1	R0
08	NGNE-S108-TED-PLB-12001	PUMP ROOM - PLUMBING LAYOUT	1 OF 1	R0
09	NGNE-S108-TED-PLB-13001	CONCOURSE LEVEL PLAN -DRAINAGE LAYOUT	1 OF 1	R0
10	NGNE-S108-TED-PLB-13002	CONCOURSE LEVEL PLAN -WATER SUPPLY LAYOUT	1 OF 1	R0
11	NGNE-S108-TED-PLB-14001	PLATFORM LEVEL PLAN-DRAINAGE LAYOUT	1 OF 1	R0
12	NGNE-S108-TED-PLB-14002	PLATFORM LEVEL PLAN-WATER SUPPLY LAYOUT	1 OF 1	R0
13	NGNE-S108-TED-PLB-15001	ROOF LEVEL PLAN-DRAINAGE LAYOUT	1 OF 1	R0

TENDER DESIGN

 NOIDA METRO RAIL CORPORATION LTD. Block-III, 3rd Floor, Ganga Shopping Complex, Sector-29, Noida -201301, District Gautam Budh Nagar, Uttar Pradesh, India			
PROJECT: CONTRACT NO: NGNECC-01- Part Design & Construction of Elevated Viaduct and 10 nos. of Elevated Stations for Extension Projects of NMR's Aqua Line from Botanical Garden to Noida Sec-142 (from Chaignage (-) 383.959 to 12130.143) and from Depot Station to Boraki MMTH (Chainage 28678.253 to 31263.482)			
STATION: NOIDA SECTOR 108 STATION DRAWING TITLE: LIST OF PLUMBING DRAWINGS			
NORTH	DRAWN BY: HL	CHECKED BY: RK	VERIFIED BY: SJ
	DATE: 27-03-2026	REV: R0	SCALE: N.T.S.
ORDER N°	DRAWING NUMBER: NGNE-S108-TED-PLB-10001	SHEET NO. 01 OF 01	SHEET SIZE A-1
APPROVED BY: NG		STATUS: TED	
		SHEET SIZE A-1	



Ayesa India Private Limited
 D 99, 3rd Floor, Sector 2, Noida -201301, Gautam
 Budh Nagar, Uttar Pradesh
 Tel.: +(91) 120 490 8800, Email: delhi@ayesa.com

Certified that this document has been designed and checked in accordance with DDC Quality Assurance Plan.
 Authorised Signatory for DDC, NGNEDDC Project Manager
 Architecture Design In-charge/ Coordinator Structure Design In-charge/ Coordinator E&M Design In-charge/ Coordinator

DETAIL DESIGN CONSULTANT :

 Ayesa India Private Limited
 D 99, 3rd Floor, Sector 2, Noida -201301, Gautam
 Budh Nagar, Uttar Pradesh
 Tel.: +(91) 120 490 8800, Email: delhi@ayesa.com

APPROVAL OF NMRC OFFICIALS				
REV.	DESCRIPTION	DATE	DRAWN BY	CHECKED BY
R0	ISSUED FIRST SUBMISSION OF TENDER DRAWINGS	27-03-2026	HL	RK

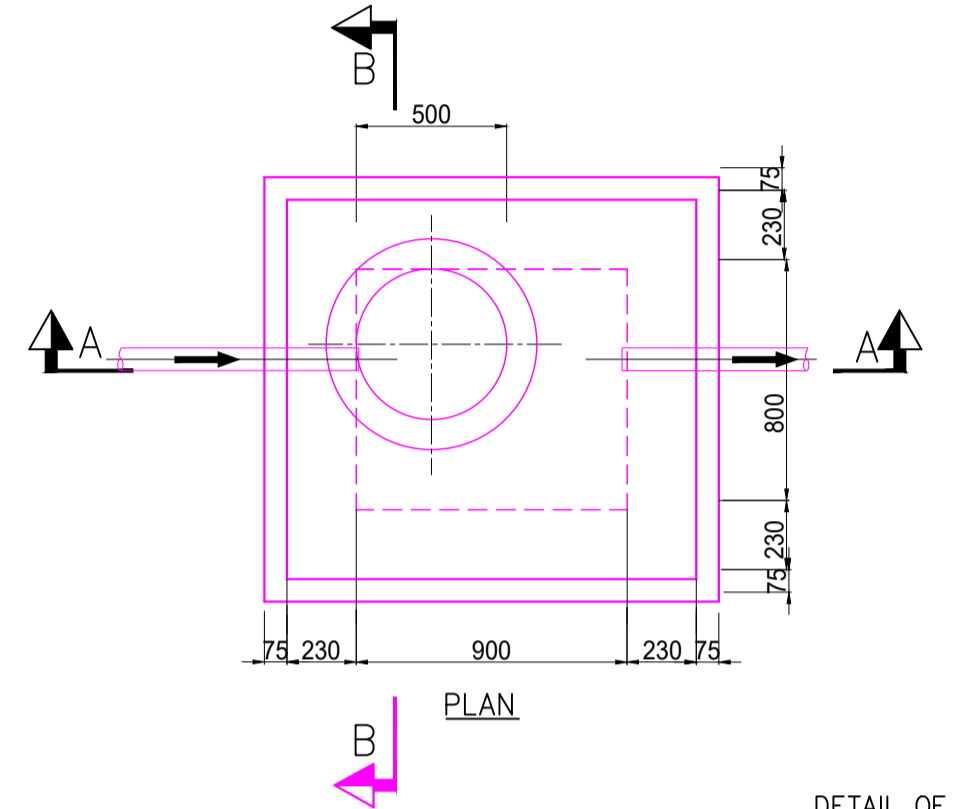
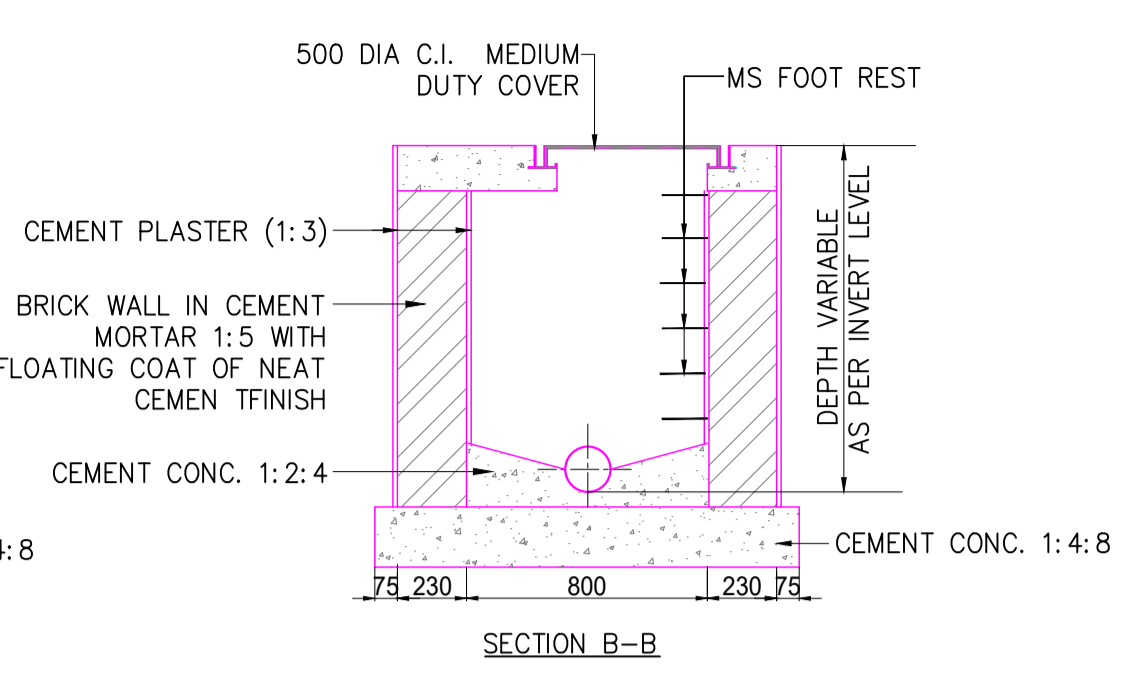
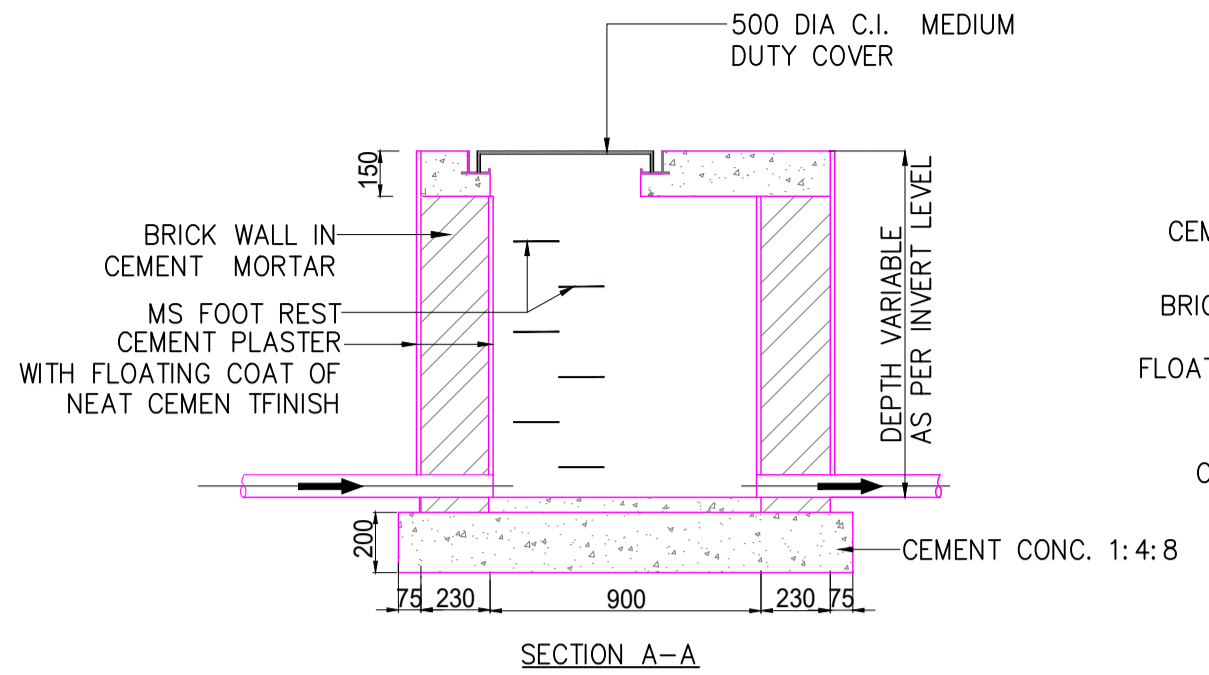
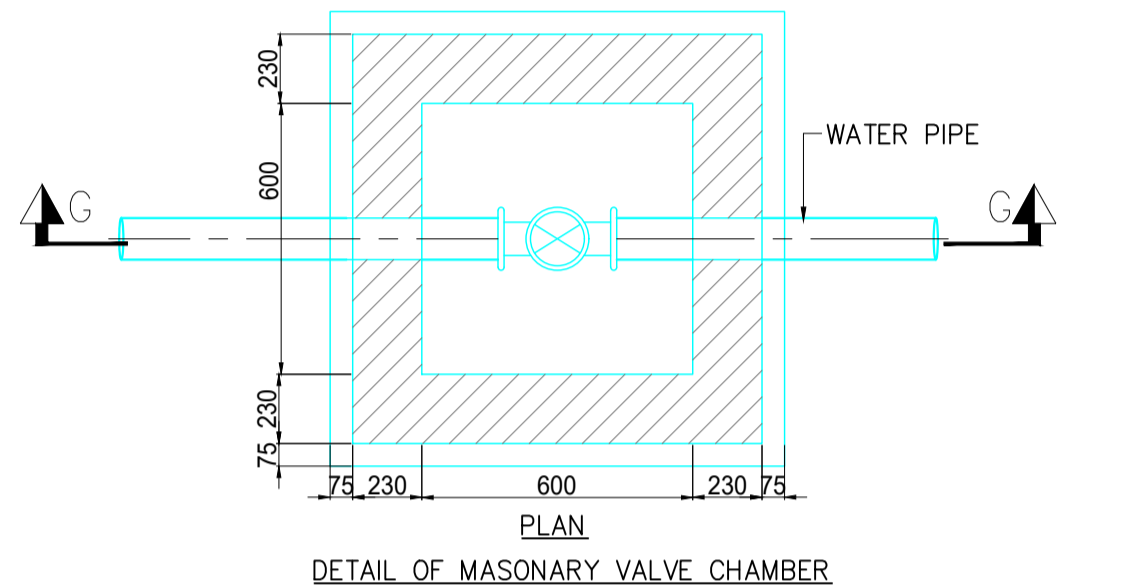
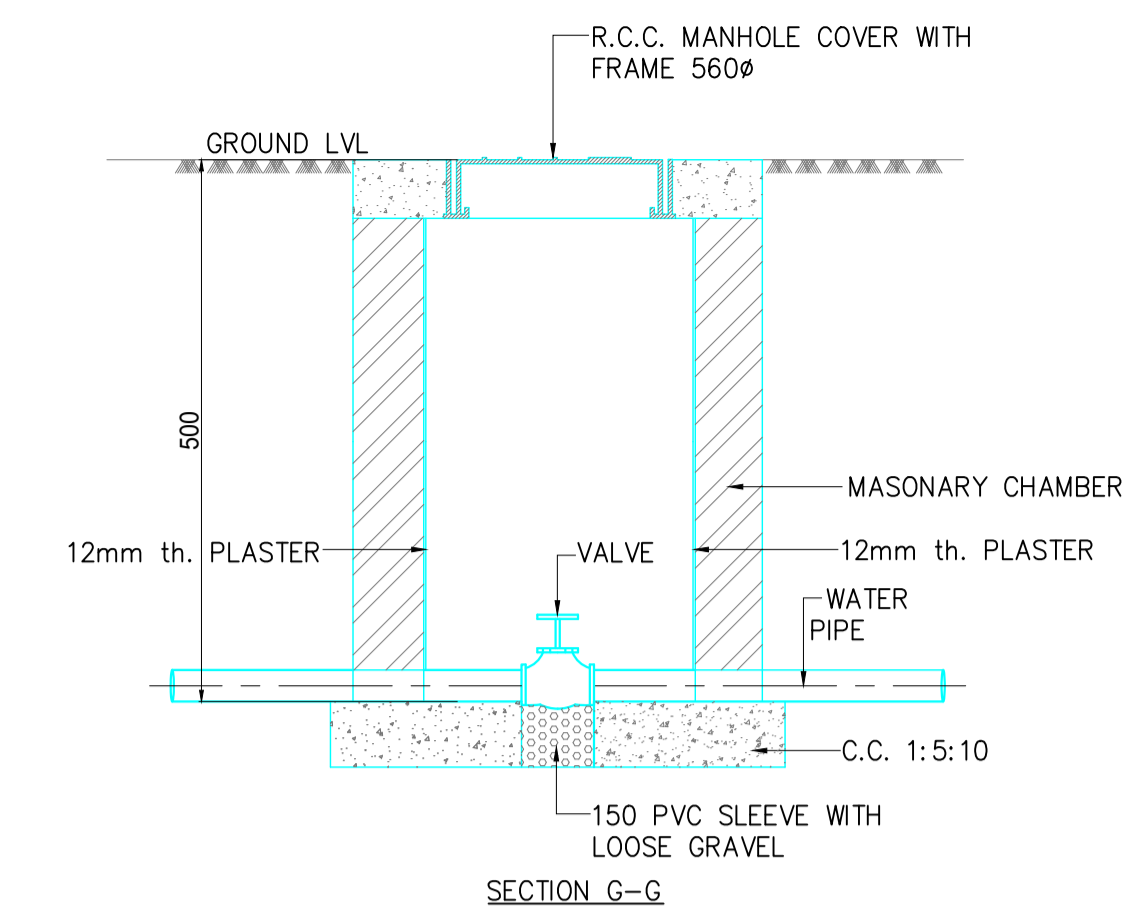
REVISIONS			
REV.	DESCRIPTION	DATE	CHECKED BY
R0	ISSUED FIRST SUBMISSION OF TENDER DRAWINGS	27-03-2026	RK

REFERENCE DRAWINGS		
REVISION	DESCRIPTION	DRAWING NO.

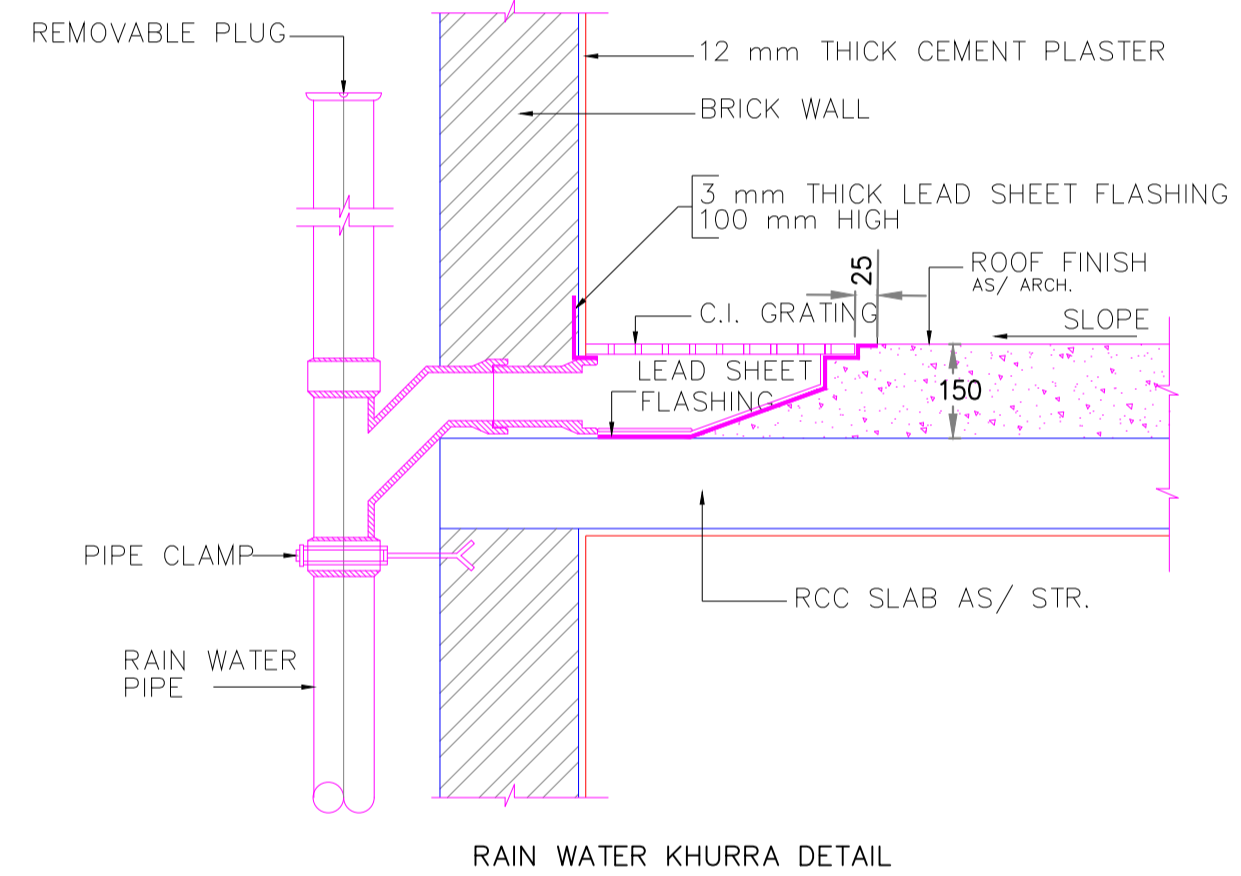
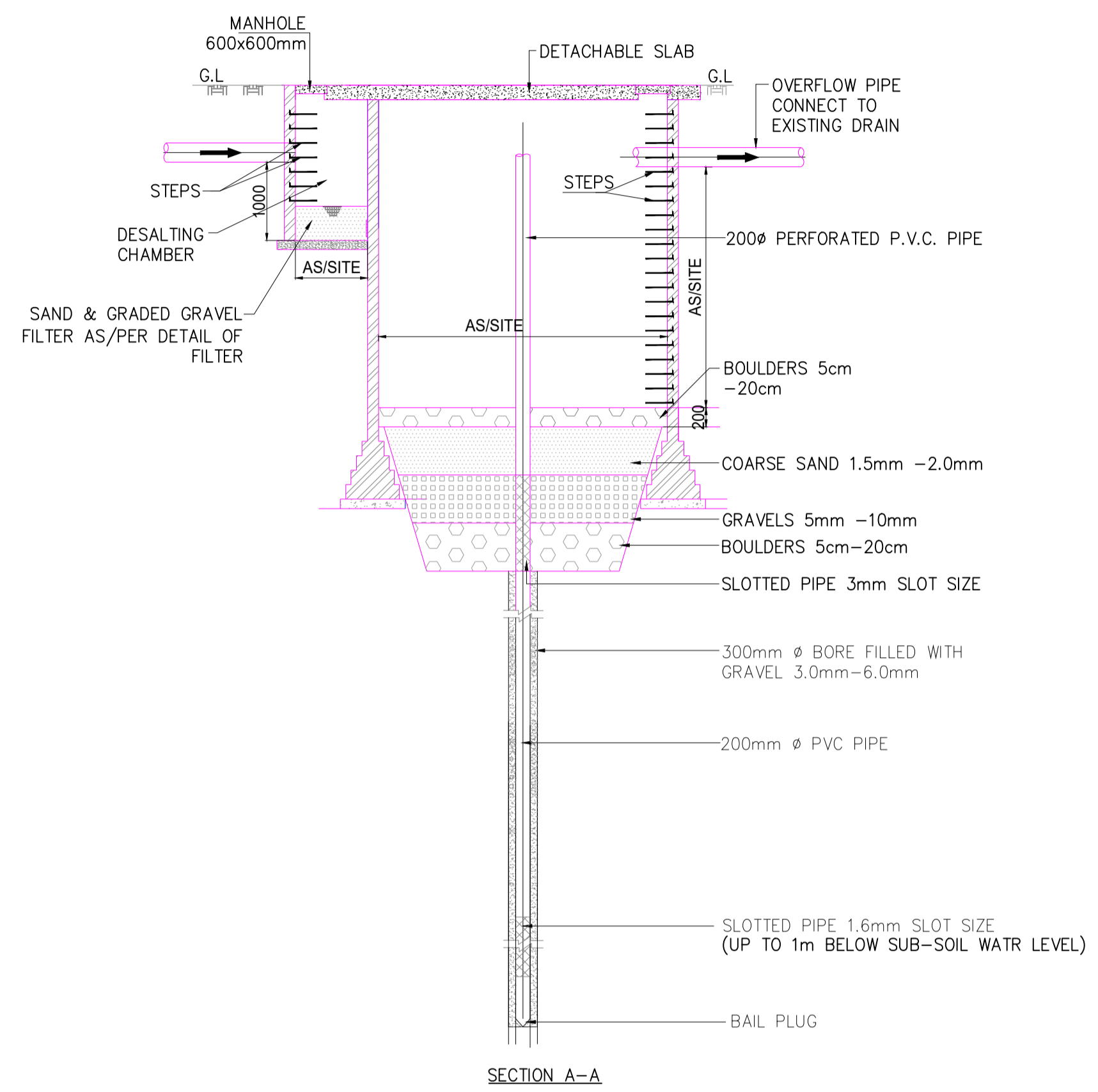
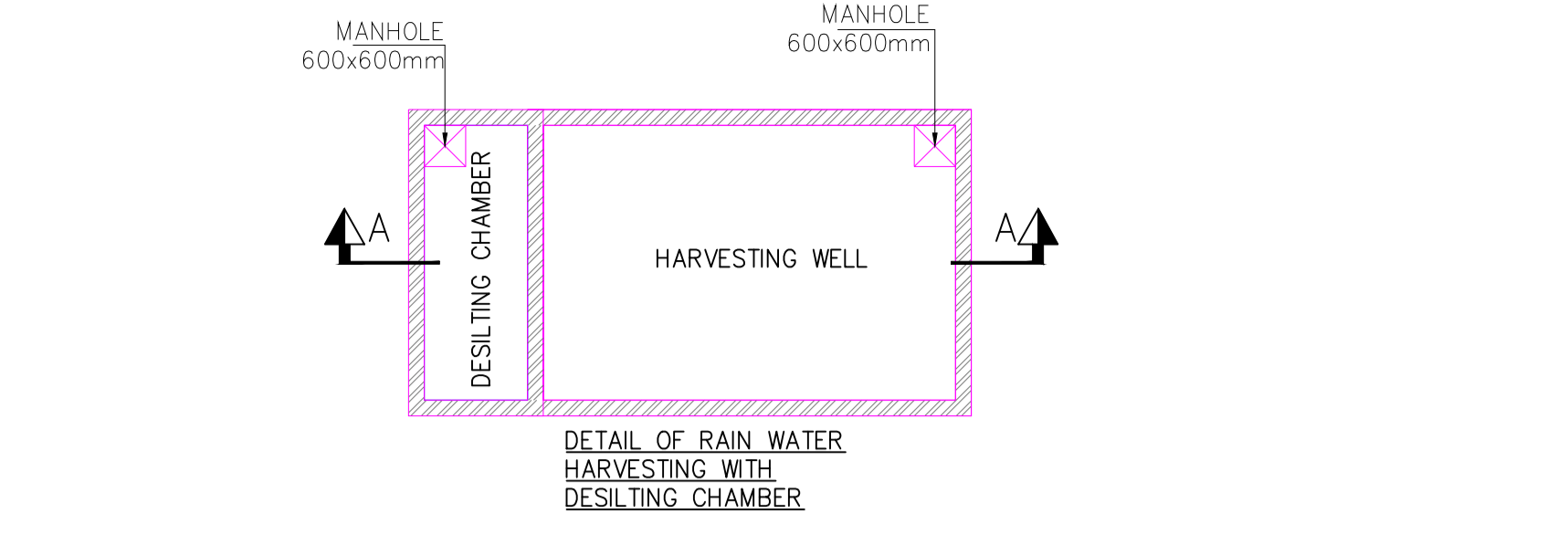
THIS DRAWING IS THE PROPERTY OF NOIDA METRO RAIL CORPORATION LTD.

GENERAL NOTES:
 1. ALL DIMENSIONS ARE IN MILLIMETER UNLESS MENTIONED.
 2. ALL DIMENSIONS ARE TO BE READ AND NOT MEASURED.
 3. ANY DISCREPANCY MUST BE BROUGHT TO THE NOTICE OF THE DMRC BEFORE EXECUTION OF WORK AT SITE.
 4. THIS DRAWING MUST BE READ IN CONJUNCTION WITH ALL RELEVANT ARCHITECTURAL, STRUCTURAL, PLUMBING & FIRE FIGHTING, ELECTRICAL AND TRAFFIC MANAGEMENT DRAWINGS.

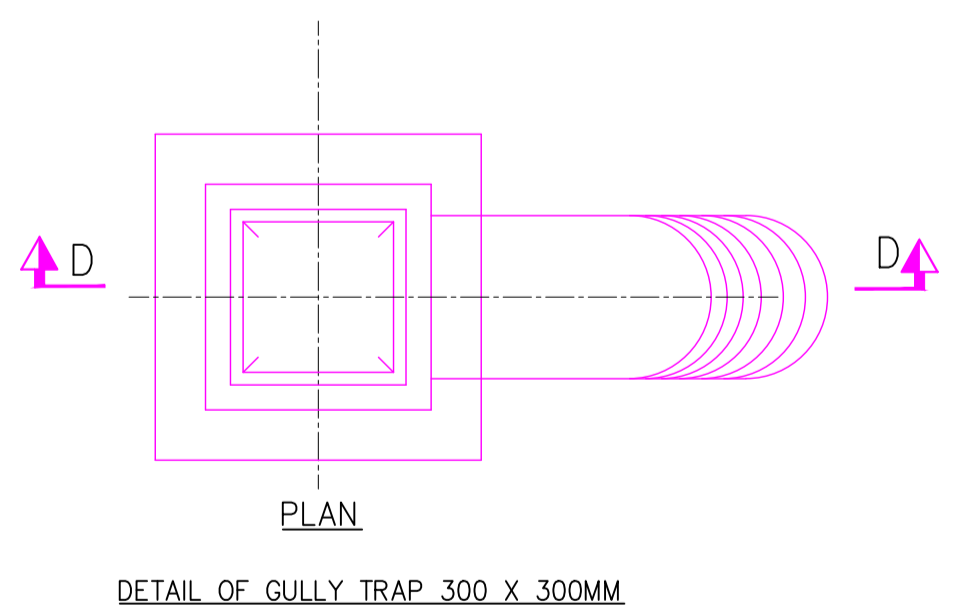
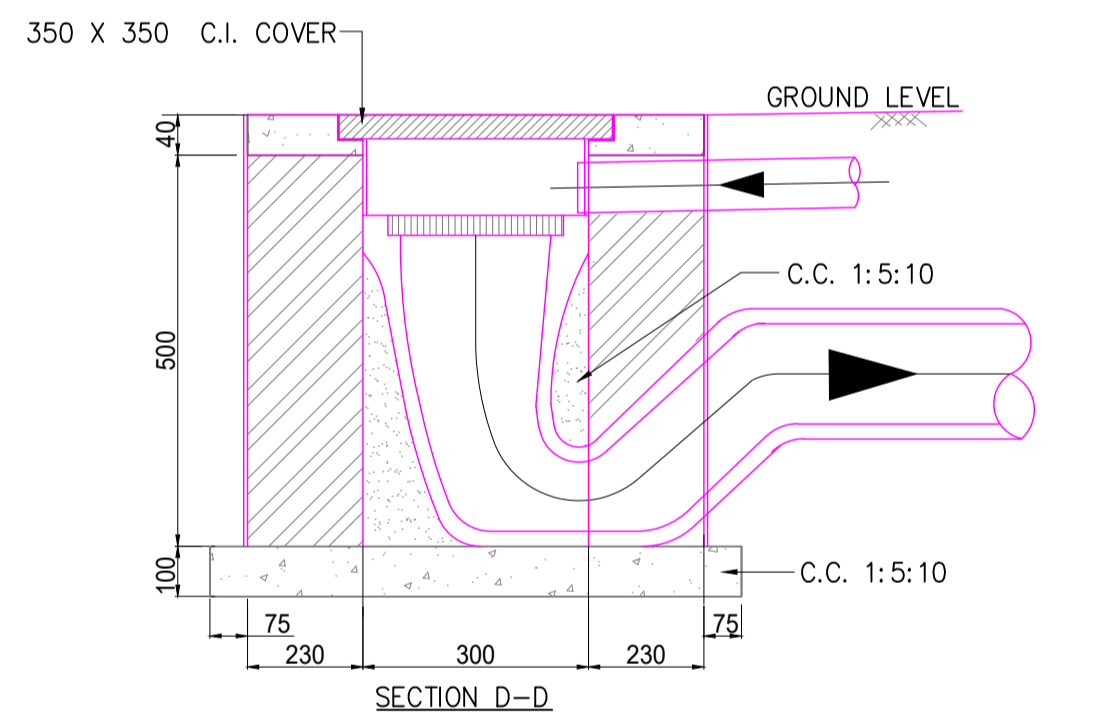
This drawing must not be either loaned, copied or otherwise reproduced in whole or in part or used for any purpose without the prior written permission of NMRC.



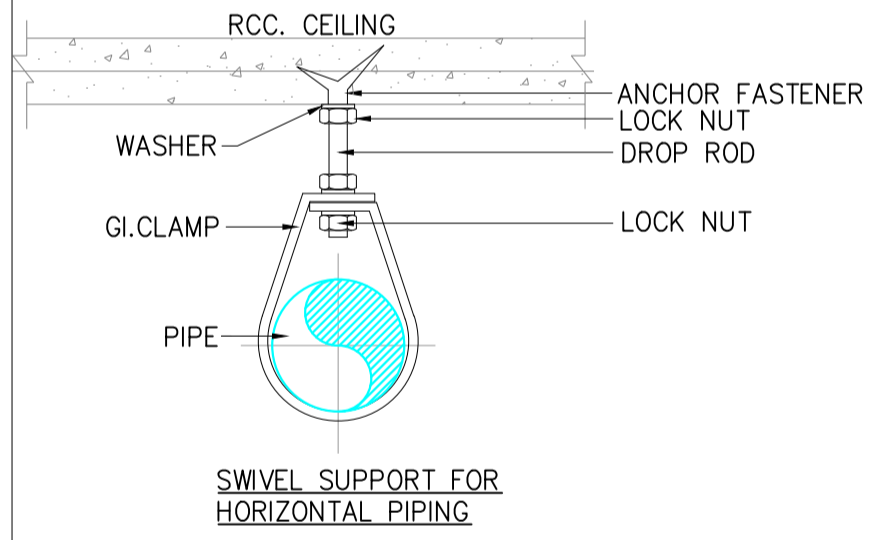
DETAIL OF RECTANGULAR MANHOLE 900 X 800MM



- NOTES**
1. ALL DIMENSIONS ARE IN MM. UNLESS OTHERWISE SPECIFIED
 2. PROPER CEMENT CONCRETE CHANNEL AND TRENCHING ARE TO BE PROVIDED RELEVANT SMOOTH WITH FLOATING COAT OF NEAT CEMENT FINISH.
 3. TOP OF MANHOLES, CATCH BASINS ARE TO BE PLACED IN CONJUNCTION WITH ADJACENT FINISHED LEVEL AS APPLICABLE.

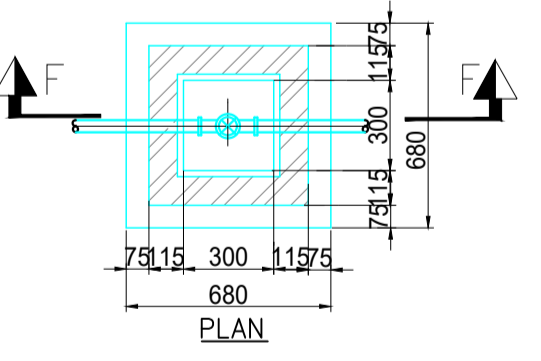
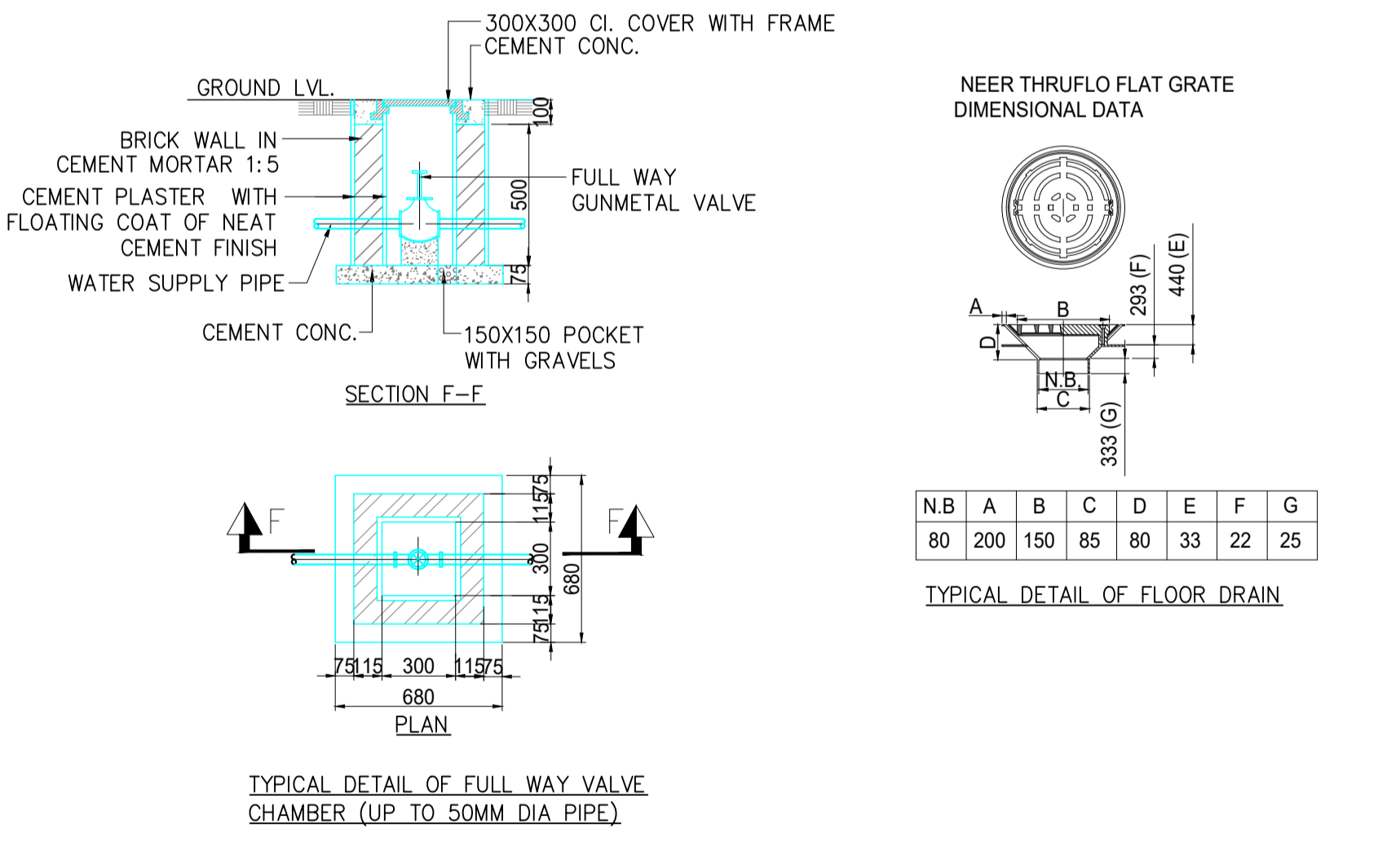
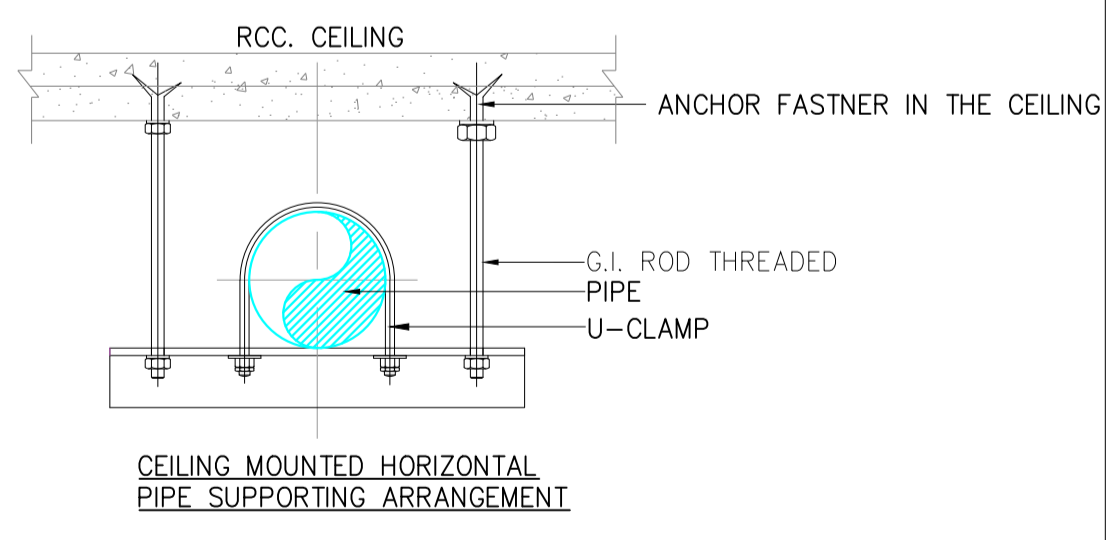
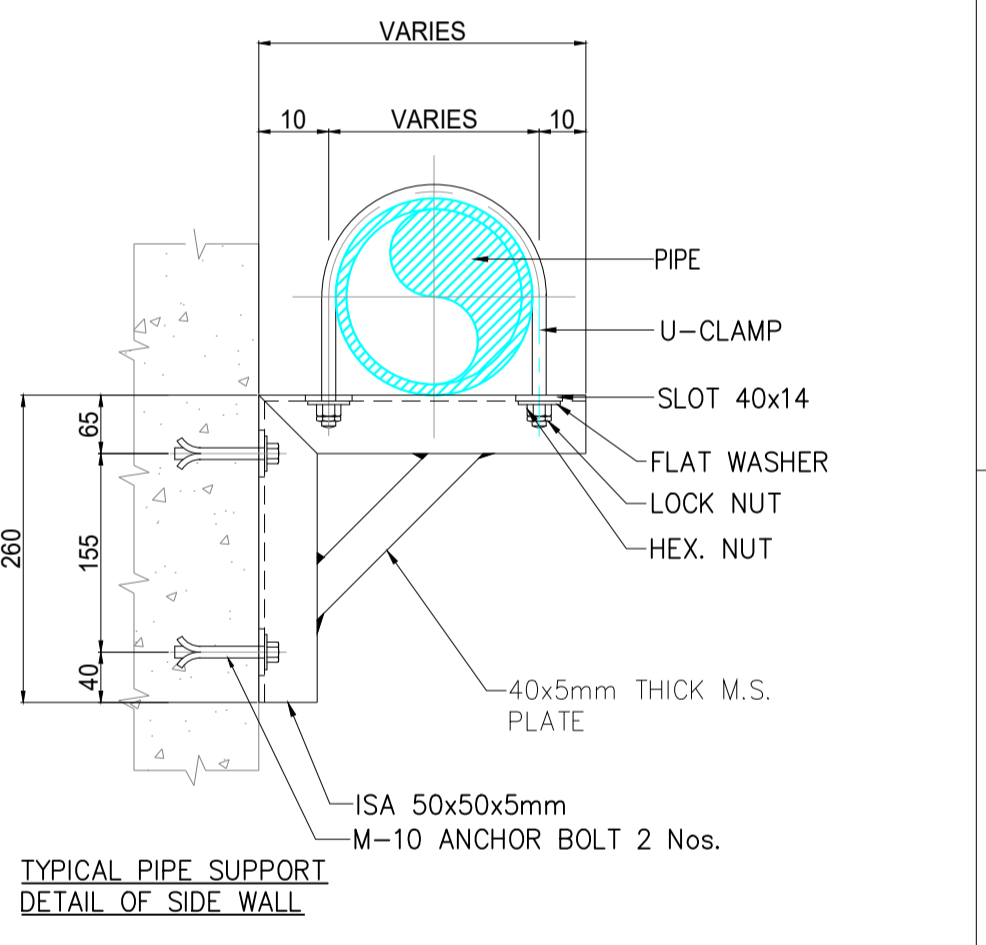


DETAIL OF GULLY TRAP 300 X 300MM

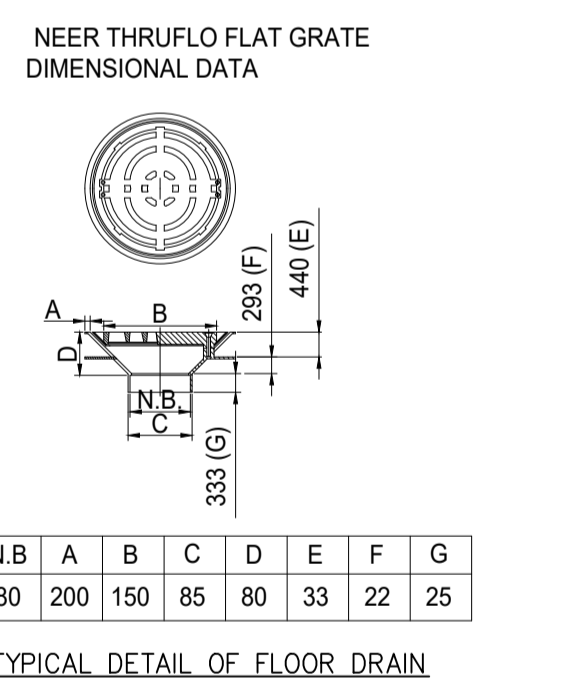


SPACING FOR PIPE SUPPORT ARE AS FOLLOW:-

PIPE SIZE (DN)	SUPPORT DISTANCE	
	HORIZONTAL (m)	VERTICAL (m)
15	1.8	2.4
20-32	2.4	3.0
40-50	2.4	3.7
65-100	3.0	4.6



TYPICAL DETAIL OF FULL WAY VALVE CHAMBER (UP TO 50MM DIA PIPE)



TYPICAL DETAIL OF FLOOR DRAIN

GENERAL NOTES

1. ALL DIMENSIONS ARE IN MILLIMETER UNLESS MENTIONED.
2. ALL DIMENSIONS ARE TO BE READ AND NOT MEASURED.
3. ANY DISCREPANCY MUST BE BROUGHT TO THE NOTICE OF THE DMRC BEFORE EXECUTION OF WORK AT SITE.
4. THIS DRAWING MUST BE READ IN CONJUNCTION WITH ALL RELEVANT ARCHITECTURAL, STRUCTURAL, PLUMBING & FIRE FIGHTING, ELECTRICAL AND TRAFFIC MANAGEMENT DRAWINGS.

REV.	DESCRIPTION	DATE	DRAWN BY	CHECKED BY
R0	ISSUED FIRST SUBMISSION OF TENDER DRAWINGS	27-03-2026	HL	RK

APPROVAL OF NMRC OFFICIALS				
NO.	NAME	DESIGNATION	DATE	SIGNATURE

Certified that this document has been designed and checked in accordance with DDC Quality Assurance Plan.

Architecture Design In-charge/ Coordinator
Structure Design In-charge/ Coordinator
E&M Design In-charge/ Coordinator

Authorised Signatory for DDC, NGNEDDC Project Manager

DETAIL DESIGN CONSULTANT :

Ayesa India Private Limited
D 99, 3rd Floor, Sector 2, Noida -201301, Gautam Budh Nagar, Uttar Pradesh
Tel.: +(91) 120 490 8800, Email: delhi@ayesa.com

TENDER DESIGN

NOIDA METRO RAIL CORPORATION LTD.
Block-III, 3rd Floor, Ganga Shopping Complex, Sector-29, Noida -201301, District Gautam Budh Nagar, Uttar Pradesh, India

PROJECT: CONTRACT NO: NGNECC-01- Part Design & Construction of Elevated Viaduct and 10 nos. of Elevated Stations for Extension Projects of NMRC's Aqua Line from Botanical Garden to Noida Sec-142 (from Chainage (-) 383.959 to 12130.143) and from Depot Station to Boraki MMTH (Chainage 28678.253 to 31263.482)

STATION: NOIDA SECTOR 108 STATION

DRAWING TITLE: TYPICAL DETAIL & SECTION - PLUMBING LAYOUT

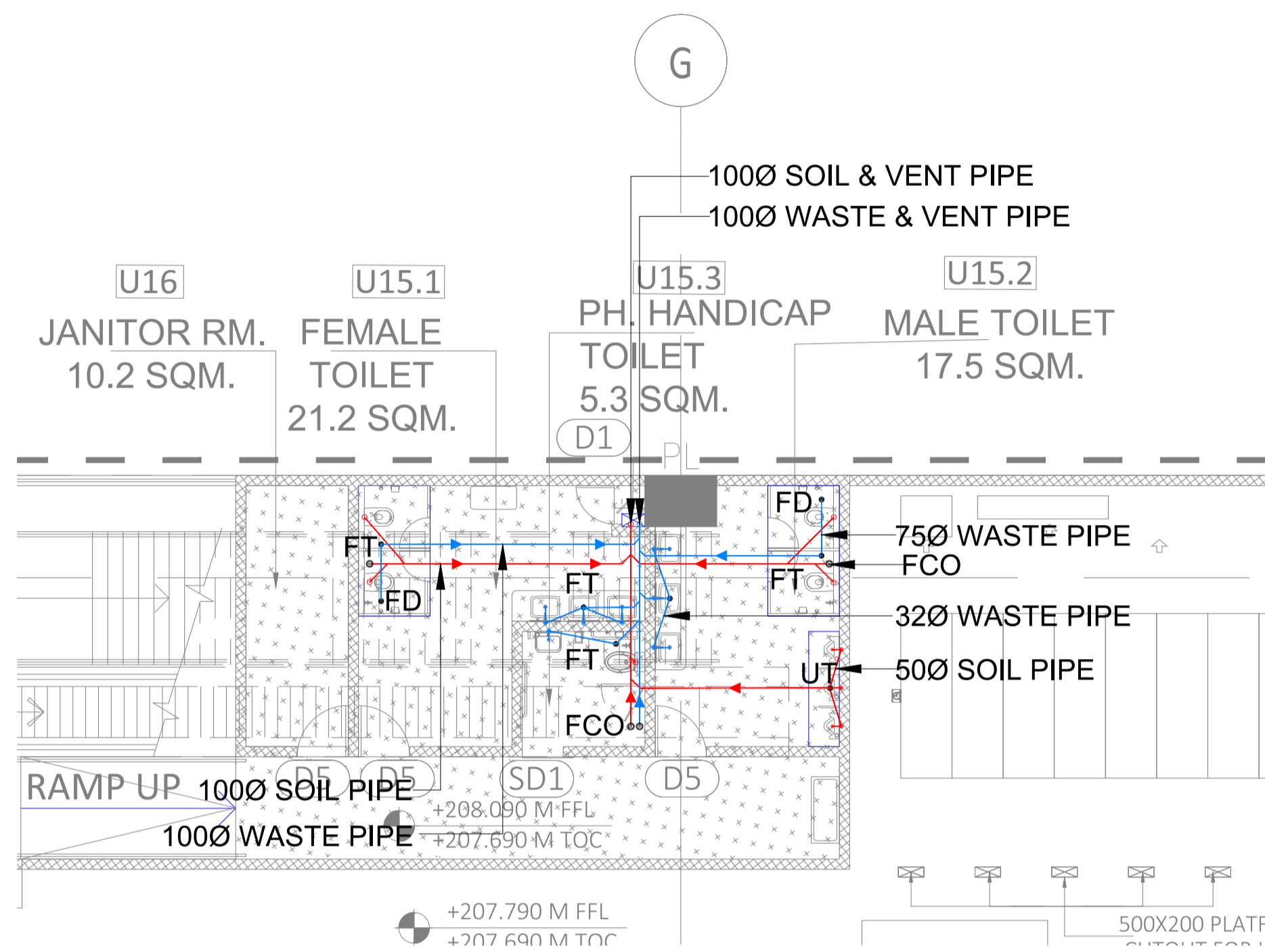
NORTH	DRAWN BY: HL	CHECKED BY: RK	VERIFIED BY: SJ	APPROVED BY: NG

DATE: 27-03-2026	REV: R0	SCALE: N.T.S.	STATUS: TED

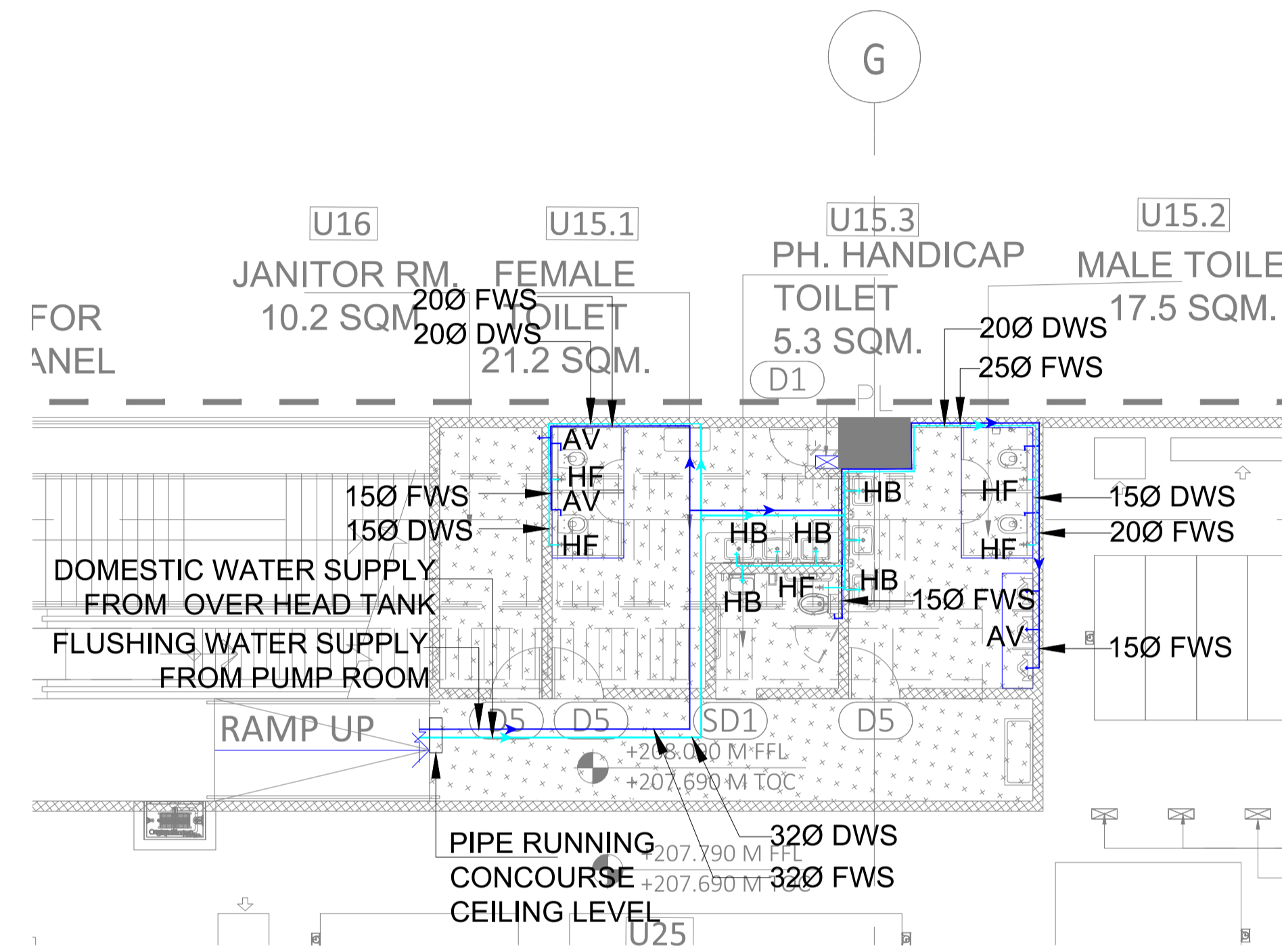
ORDER N°	DRAWING NUMBER: NGNE-S108-TED-PLB-10002	SHEET NO. 01 OF 01	SHEET SIZE A-1

NGNEDDC PLUMBING

This drawing must not be either loaned, copied or otherwise reproduced in whole or in part or used for any purpose without the prior written permission of NMRC.



DRAINAGE LAYOUT



WATER SUPPLY LAYOUT

LEGEND:-

1	WASTE PIPE	
2	SOIL PIPE	
3	FLOOR TRAP	
4	FLOOR DRAIN	
5	URINAL TRAP	
6	FLOOR CLEAN OUT	
7	DOMESTIC WATER SUPPLY PIPE	
8	FLUSHING WATER SUPPLY PIPE	
9	DOMESTIC WATER SUPPLY	DWS
10	FLUSHING WATER SUPPLY	FWS
11	ANGLE VALVE	AV
12	HOSE BIB	HB
13	HEALTH FAUCET	HF
14	BALL VALVE	D<

TENDER DESIGN

NOIDA METRO RAIL CORPORATION LTD.
 Block-III, 3rd Floor, Ganga Shopping Complex, Sector-29, Noida -201301,
 District Gautam Budh Nagar, Uttar Pradesh, India

PROJECT: CONTRACT NO: NGNECC-01- Part Design & Construction of Elevated Viaduct and 10 nos. of Elevated Stations for Extension Projects of NMRC's Aqua Line from Botanical Garden to Noida Sec-142 (from Chainage (-) 383.959 to 12130.143) and from Depot Station to Boraki MMTH (Chainage 28678.253 to 31263.482)

STATION: NOIDA SECTOR 108 STATION
 DRAWING TITLE: TOILET DETAIL -PLUMBING LAYOUT

NORTH	DRAWN BY: HL	CHECKED BY: RK	VERIFIED BY: SJ	APPROVED BY: NG
	DATE: 27-03-2026	REV: R0	SCALE: 1:100	STATUS: TED
ORDER N°	DRAWING NUMBER: NGNE-S108-TED-PLB-10003	SHEET NO. 01 OF 01	SHEET SIZE A-1	NGNEDDC PLUMBING

This drawing must not be either loaned, copied or otherwise reproduced in whole or in part or used for any purpose without the prior written permission of NMRC.

GENERAL NOTES:

- ALL DIMENSIONS ARE IN MILLIMETER UNLESS MENTIONED.
- ALL DIMENSIONS ARE TO BE READ AND NOT MEASURED.
- ANY DISCREPANCY MUST BE BROUGHT TO THE NOTICE OF THE DMRC BEFORE EXECUTION OF WORK AT SITE.
- THIS DRAWING MUST BE READ IN CONJUNCTION WITH ALL RELEVANT ARCHITECTURAL, STRUCTURAL, PLUMBING & FIRE FIGHTING, ELECTRICAL AND TRAFFIC MANAGEMENT DRAWINGS.

REVISION	DESCRIPTION	DRAWING NO.

REV.	DESCRIPTION	DATE	DRAWN BY	CHECKED BY
R0	ISSUED FIRST SUBMISSION OF TENDER DRAWINGS	27-03-2026	HL	RK

APPROVAL OF NMRC OFFICIALS

--	--	--	--	--	--	--	--	--	--	--	--	--	--	--	--	--	--	--	--

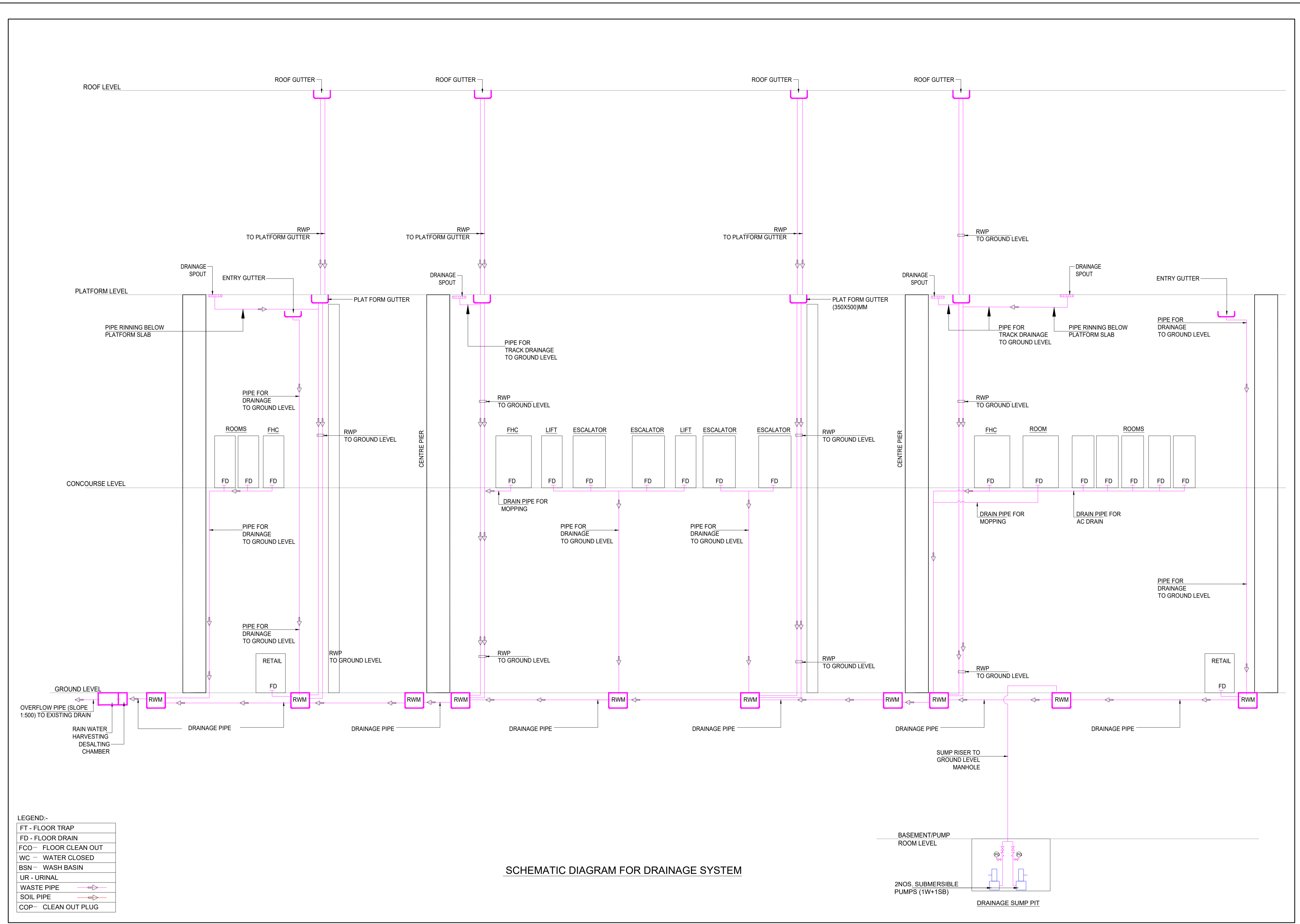
Certified that this document has been designed and checked in accordance with DDC Quality Assurance Plan.

Architecture Design In-charge/ Coordinator: _____
 Structure Design In-charge/ Coordinator: _____
 E&M Design In-charge/ Coordinator: _____

DETAIL DESIGN CONSULTANT :

ayesa
 Ayesa India Private Limited
 D 99, 3rd Floor, Sector 2, Noida -201301, Gautam Budh Nagar, Uttar Pradesh
 Tel.: +(91) 120 490 8800, Email: delhi@ayesa.com

Authorised Signatory for DDC, NGNEDDC Project Manager



LEGEND:-

FT - FLOOR TRAP
FD - FLOOR DRAIN
FCO - FLOOR CLEAN OUT
WC - WATER CLOSED
BSN - WASH BASIN
UR - URINAL
WASTE PIPE
SOIL PIPE
COP - CLEAN OUT PLUG

SCHMATIC DIAGRAM FOR DRAINAGE SYSTEM

TENDER DESIGN

NOIDA METRO RAIL CORPORATION LTD.
 Block-III, 3rd Floor, Ganga Shopping Complex, Sector-29, Noida -201301,
 District Gautam Budh Nagar, Uttar Pradesh, India

PROJECT: CONTRACT NO: NGNECC-01- Part Design & Construction of Elevated Viaduct and 10 nos. of Elevated Stations for Extension Projects of NMRC's Aqua Line from Botanical Garden to Noida Sec-142 (from Chainage (-) 383.959 to 12130.143) and from Depot Station to Boraki MMTH (Chainage 28678.253 to 31263.482)

STATION: NOIDA SECTOR 108 STATION

DRAWING TITLE: SCHEMATIC DIAGRAM FOR DRAINAGE SYSTEM

NORTH	DRAWN BY: HL	CHECKED BY: RK	VERIFIED BY: SJ	APPROVED BY: NG
	DATE: 27-03-2026	REV: RO	SCALE: N.T.S.	STATUS: TED
ORDER N°	DRAWING NUMBER: NGNE-S108-TED-PLB-10004	SHEET NO. 01 OF 01	SHEET SIZE A-1	

NGNEDDC PLUMBING

Certified that this document has been designed and checked in accordance with DDC Quality Assurance Plan.

Architecture Design In-charge/ Coordinator | Structure Design In-charge/ Coordinator | E&M Design In-charge/ Coordinator

Authorised Signatory for DDC. NGNEDDC Project Manager



Ayesa India Private Limited
 D 99, 3rd Floor, Sector 2, Noida -201301, Gautam Budh Nagar, Uttar Pradesh
 Tel.: +(91) 120 490 8800, Email: delhi@ayesa.com

GENERAL NOTES			
1. ALL DIMENSIONS ARE IN MILLIMETER UNLESS MENTIONED.			
2. ALL DIMENSIONS ARE TO BE READ AND NOT MEASURED.			
3. ANY DISCREPANCY MUST BE BROUGHT TO THE NOTICE OF THE DMRC BEFORE EXECUTION OF WORK AT SITE.			
4. THIS DRAWING MUST BE READ IN CONJUNCTION WITH ALL RELEVANT ARCHITECTURAL, STRUCTURAL, PLUMBING & FIRE FIGHTING, ELECTRICAL AND TRAFFIC MANAGEMENT DRAWINGS.			

REVISIONS				
REV.	DESCRIPTION	DATE	DRAWN BY	CHECKED BY
R0	ISSUED FIRST SUBMISSION OF TENDER DRAWINGS	27-03-2026	HL	RK

REFERENCE DRAWINGS		
REVISION	DESCRIPTION	DRAWING NO.

APPROVAL OF NMRC OFFICIALS				
NO.	NAME	DESIGNATION	DATE	REMARKS

THIS DRAWING IS THE PROPERTY OF NDMRC AND NOT TO BE REPRODUCED OR COPIED IN ANY MANNER WITHOUT THE WRITTEN PERMISSION OF NDMRC.